

PRODUCT DATA SHEET



PART NUMBER – BLC2D4011-R7: BRAH Electric, aftermarket direct replacement reversing contactors for Telemecanique LC2D4011-R7, TeSys D Series, type LC2D, 3P, 3PH, 60A, 600V, 10HP @ 240V, 30HP @ 480V, 30HP @ 600V, both complete with 440V 50/60Hz AC coil, and 1 N/O - 1 N/C auxiliary contact, AC magnetic contactor, suitable for use with LC2-D series motor control systems

PRODUCT SPECIFICATIONS

MAGNETIC CONTACTOR
PART NO. BLC2D4011-R7

<i>TYPE</i>	<i>VALUE (UNITS)</i>	<i>NOTES</i>	<i>COMMENTS</i>
PHASE	3		
POLES	3		
VOLTAGE	600 (VAC)		
AMPERAGE	60 (A)		
COIL VOLTAGE MIN	440 (V)		
COIL VOLTAGE MAX	440 (V)		
MIN HP. RATING	10 (HP)	@ 240V	
MAX HP RATING	30 (HP)	@ 600V	

Warranty: All Products sold by BRAH Electric are guaranteed to be free of defect for a period of one year, under the condition that the product has been installed and operated properly. All items proven defective within the one year period will be replaced by BRAH Electric. In the event that we cannot provide a direct replacement, your monies will be refunded in full. We are not responsible for any consequential losses or damages outside of the defective product as well as any replacements or repairs performed by another party without our written authorization from BRAH Electric

REVISIONS				
ZONE	REV.	DESCRIPTION	DATE	APPROVED

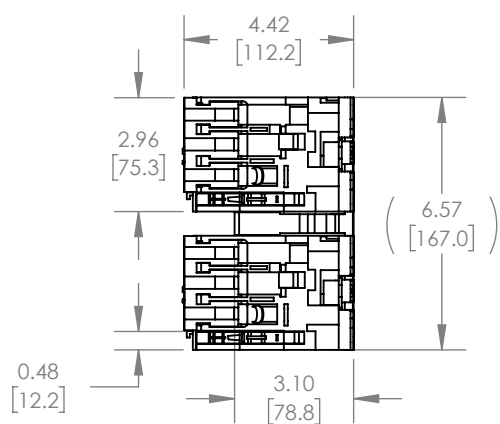
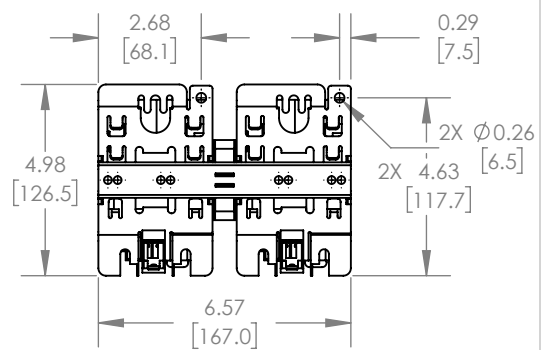
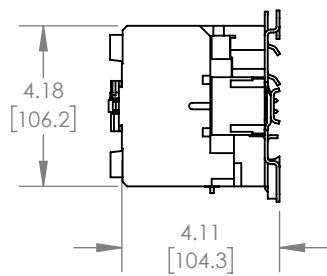
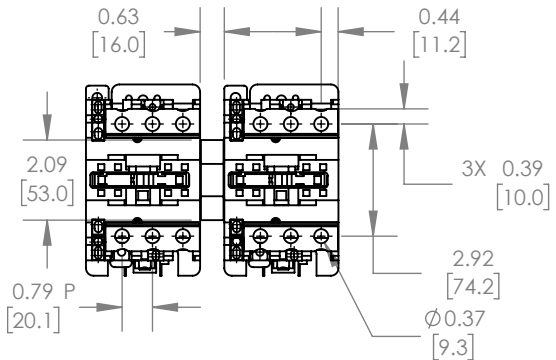
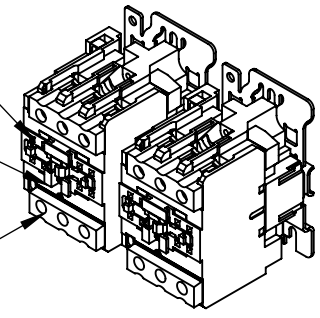
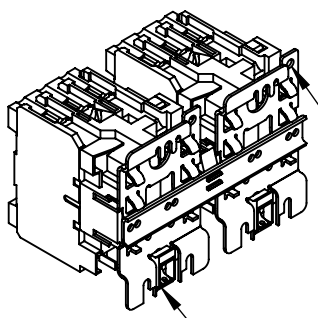
LOCATION OF FUNCTION MARKER

STOPS FOR ATTACHING FRONT MOUNTED ACCESSORIES

LOAD SIDE WIRE TERMINALS

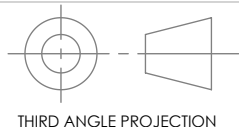
MOUNTING HOLES

MOUNTING FIXTURES



WWW.BRAHELECTRIC.COM, 855-355-2724

*NOTE: BRAH ELECTRIC CONTACTOR BLC2D4011-R7 IS AN AFTERMARKET DIRECT REPLACEMENT FOR LC2D4011-R7, SERIES. SUITABLE FOR USE WITH LC2-D SERIES MOTOR CONTROL SYSTEMS



PROPRIETARY AND CONFIDENTIAL
THE INFORMATION CONTAINED IN THIS DRAWING IS THE SOLE PROPERTY OF BRAH ELECTRIC. ANY REPRODUCTION IN PART OR AS A WHOLE WITHOUT THE WRITTEN PERMISSION OF BRAH ELECTRIC IS PROHIBITED.

UNLESS OTHERWISE NOTED
ALL DIMENSIONS ARE IN INCHES
METRIC UNITS ARE DISPLAYED
BENEATH IN [MM.]

MATERIAL
MOLDED PLASTIC CASE
FINISH
N/A

DO NOT SCALE DRAWING

BRAH
Electric

MAGNETIC CONTACTOR

SIZE A	DWG. NO. BLC2D4011-R7	REV. A
SCALE: 1:5	WEIGHT: 3.2 LBS	SHEET 1 OF 1