



CONTACT US @ 855-355-2724  
 E-Mail: [Sales@brahelectric.com](mailto:Sales@brahelectric.com)  
[www.Brahelectric.com](http://www.Brahelectric.com)

## PRODUCT DATA SHEET



Contactors

Picture is for reference only,  
 Actual Kit may vary slightly

### Contactor voltage selection chart BLC2D95-XX

|              |            |
|--------------|------------|
| BLC2D95      | 110/120VAC |
| BLC2D9511    | 110/120VAC |
| BLC2D9511-B6 | 24VAC      |
| BLC2D9511-B7 | 24VAC      |
| BLC2D9511-G6 | 110/120VAC |
| BLC2D9511-G7 | 110/120VAC |
| BLC2D9511-M6 | 220VAC     |
| BLC2D9511-M7 | 220VAC     |
| BLC2D9511-Q6 | 380VAC     |
| BLC2D9511-R7 | 440VAC     |
| BLC2D9511-T6 | 480VAC     |
| BLC2D9511-U6 | 240VAC     |
| BLC2D9511-U7 | 240VAC     |

### **PART NUMBER-BLC2D9511-B7:**

BRAH Electric, Direct replacement aftermarket conversion kit for Telemecanique LC2D9511-B7, 125amp, 600volt, 3 pole, reversing contactor, complete with 24VAC control coil, 1 normally open auxiliary contact, suitable for use with Telemecanique TeSys D type LC2D, direct substitute contactor for Telemecanique OEM LC2D9511-B7

### **PRODUCT SPECIFICATIONS**

|                  |               |
|------------------|---------------|
| Manufacturer     | BRAH Electric |
| Sub-Category     | Contactor     |
| Family           | TeSys D       |
| Type             | LC2D, BLC2D   |
| Coil Voltage Max | 24            |
| Voltage          | 600           |
| Amperage         | 125           |
| Poles            | 3             |
| Phase            | 3             |

**Warranty:** All Products sold by BRAH Electric are guaranteed to be free of defect for a period of two years, under the condition that the product has been installed and operated properly. All items proven defective within the one year period will be replaced by BRAH Electric. In the event that we cannot provide a direct replacement, your monies will be refunded in full. We are not responsible for any consequential losses or damages outside of the defective product as well as any replacements or repairs performed by another party without our written authorization from BRAH Electric.

| REVISIONS |      |             |      |          |
|-----------|------|-------------|------|----------|
| ZONE      | REV. | DESCRIPTION | DATE | APPROVED |
|           |      |             |      |          |

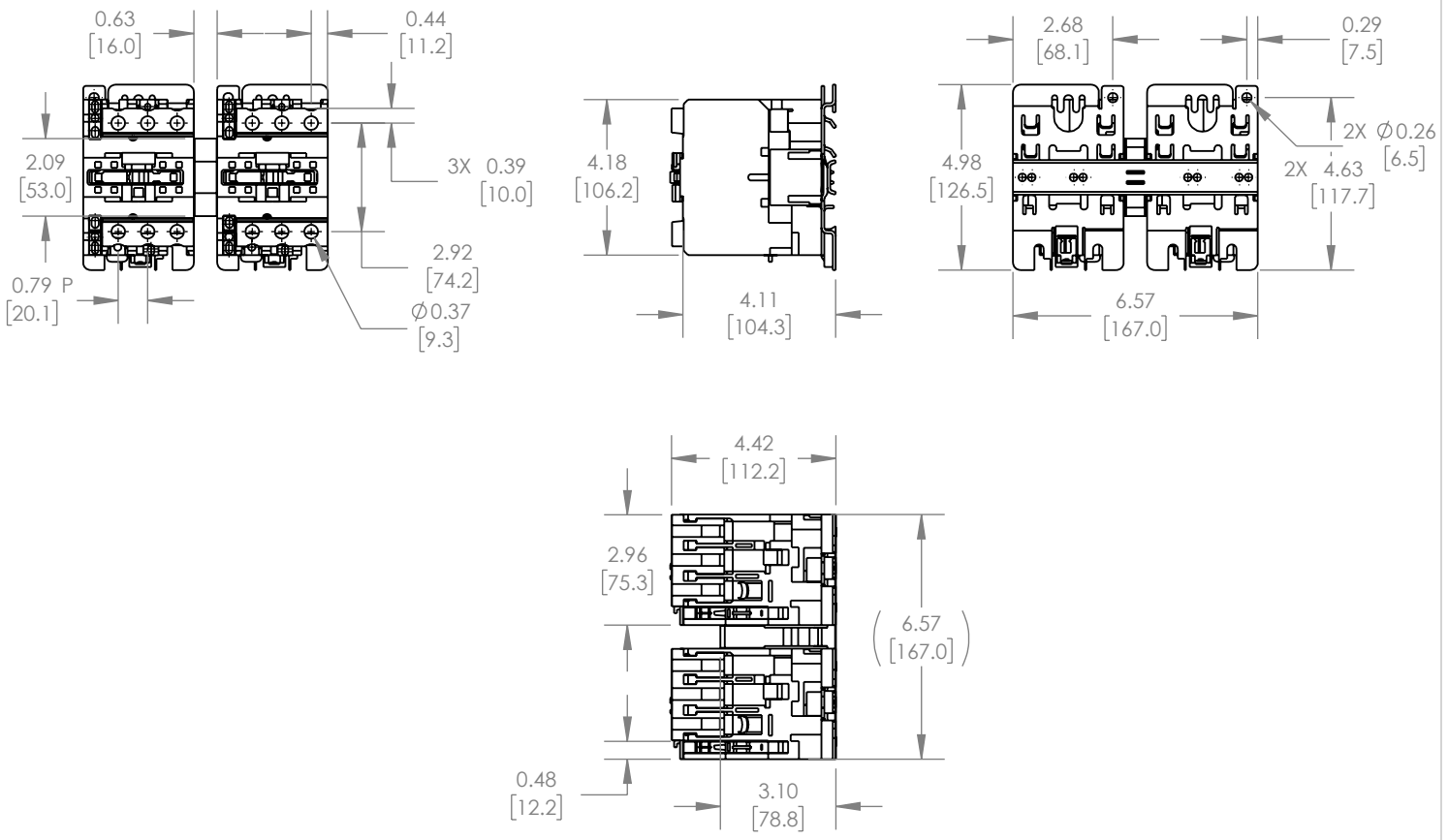
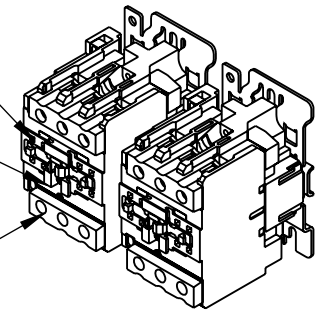
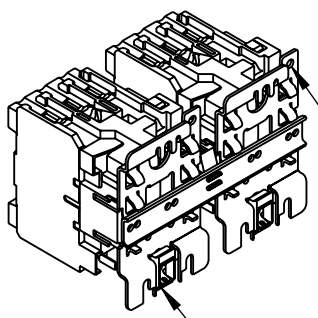
LOCATION OF FUNCTION MARKER

STOPS FOR ATTACHING FRONT MOUNTED ACCESSORIES

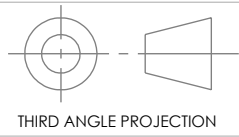
LOAD SIDE WIRE TERMINALS

MOUNTING HOLES

MOUNTING FIXTURES



\*NOTE: BRAH ELECTRIC CONTACTOR BLC2D9511-B7 IS AN AFTERMARKET DIRECT REPLACEMENT FOR LC2D9511-B7, SERIES. SUITABLE FOR USE WITH LC2-D SERIES MOTOR CONTROL SYSTEMS



**PROPRIETARY AND CONFIDENTIAL**  
 THE INFORMATION CONTAINED IN THIS DRAWING IS THE SOLE PROPERTY OF BRAH ELECTRIC. ANY REPRODUCTION IN PART OR AS A WHOLE WITHOUT THE WRITTEN PERMISSION OF BRAH ELECTRIC IS PROHIBITED.

UNLESS OTHERWISE NOTED  
 ALL DIMENSIONS ARE IN INCHES  
 METRIC UNITS ARE DISPLAYED  
 BENEATH IN [ MM. ]

MATERIAL  
 MOLDED PLASTIC CASE  
 FINISH  
 N/A

DO NOT SCALE DRAWING

**BRAH**  
Electric

**MAGNETIC CONTACTOR**

|                  |                                 |                  |
|------------------|---------------------------------|------------------|
| SIZE<br><b>A</b> | DWG. NO.<br><b>BLC2D9511-B7</b> | REV.<br><b>A</b> |
| SCALE: 1:5       | WEIGHT: 3.2 LBS                 | SHEET 1 OF 1     |