



CONTACT US @ 855-355-2724

E-Mail: [Sales@brahelectric.com](mailto:Sales@brahelectric.com)

[www.Brahelectric.com](http://www.Brahelectric.com)

## PRODUCT DATA SHEET



Contactors

Picture is for reference only,  
Actual Kit may vary slightly

### Contactor voltage selection chart BLC2D95-XX

BLC2D95	110/120VAC
BLC2D9511	110/120VAC
BLC2D9511-B6	24VAC
BLC2D9511-B7	24VAC
BLC2D9511-G6	110/120VAC
BLC2D9511-G7	110/120VAC
BLC2D9511-M6	220VAC
BLC2D9511-M7	220VAC
BLC2D9511-Q6	380VAC
BLC2D9511-R7	440VAC
BLC2D9511-T6	480VAC
BLC2D9511-U6	240VAC
BLC2D9511-U7	240VAC

### **PART NUMBER-BLC2D9511-G7:**

BRAH Electric, Direct replacement aftermarket conversion kit for Telemecanique LC2D9511-G7, 125amp, 600volt, 3 pole, reversing contactor, complete with 110/120VAC control coil, 1 normally open auxiliary contact, suitable for use with Telemecanique TeSys D type LC2D, direct substitute contactor for Telemecanique OEM LC2D9511-G7

### **PRODUCT SPECIFICATIONS**

Manufacturer	BRAH Electric
Sub-Category	Contactor
Family	TeSys D
Type	LC2D, BLC2D
Coil Voltage Min	110
Coil Voltage Max	120
Voltage	600
Amperage	125
Poles	3
Phase	3

**Warranty:** All Products sold by BRAH Electric are guaranteed to be free of defect for a period of two years, under the condition that the product has been installed and operated properly. All items proven defective within the one year period will be replaced by BRAH Electric. In the event that we cannot provide a direct replacement, your monies will be refunded in full. We are not responsible for any consequential losses or damages outside of the defective product as well as any replacements or repairs performed by another party without our written authorization from BRAH Electric.

REVISIONS				
ZONE	REV.	DESCRIPTION	DATE	APPROVED

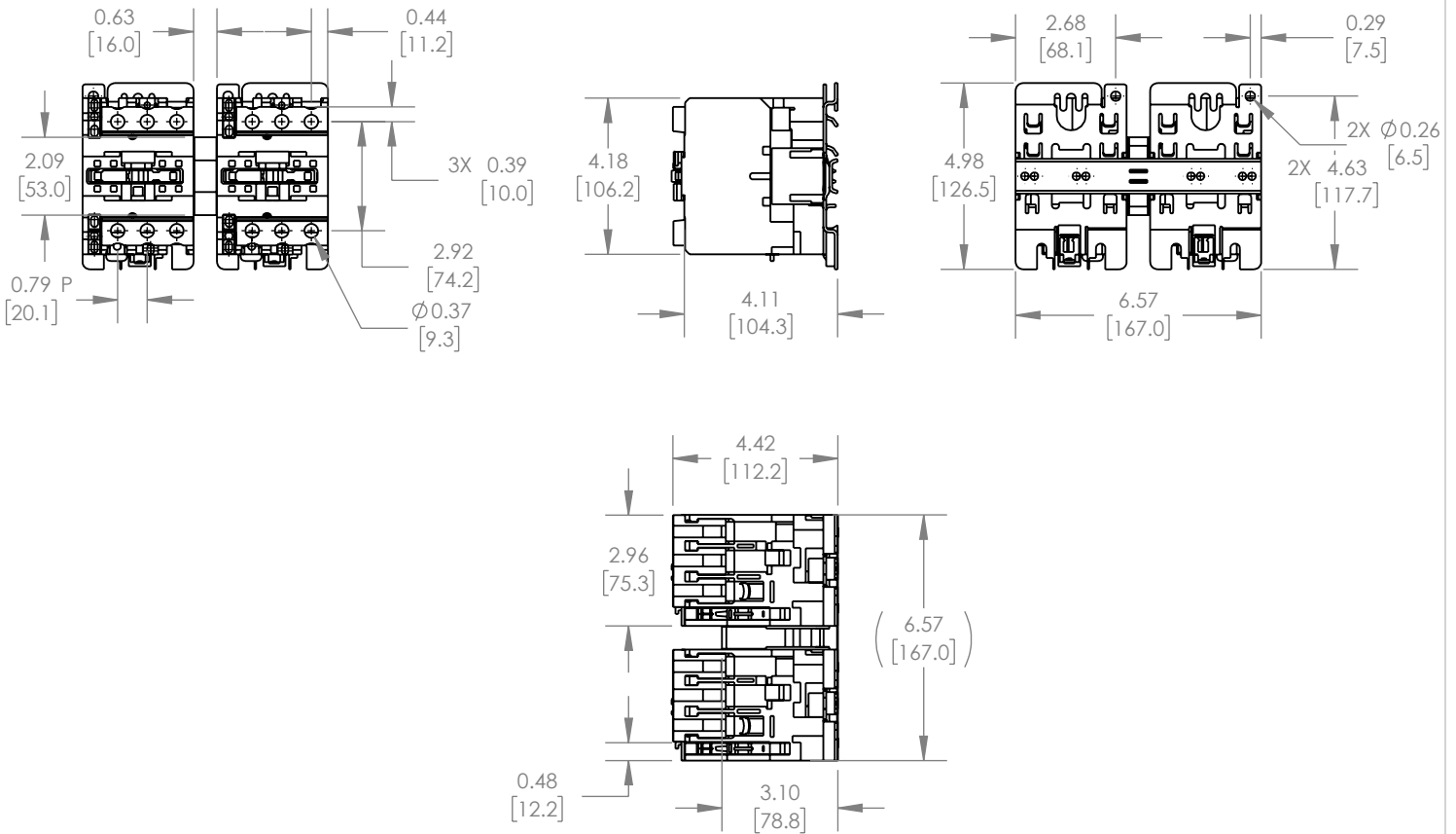
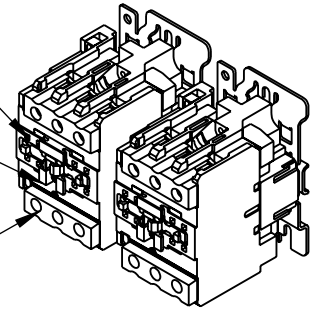
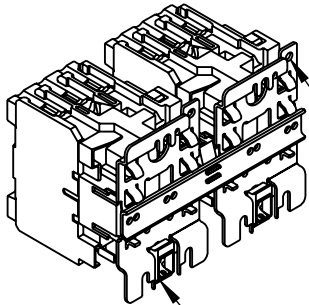
LOCATION OF FUNCTION MARKER

STOPS FOR ATTACHING FRONT MOUNTED ACCESSORIES

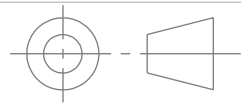
LOAD SIDE WIRE TERMINALS

MOUNTING HOLES

MOUNTING FIXTURES



\*NOTE: BRAH ELECTRIC CONTACTOR BLC2D9511-G7 IS AN AFTERMARKET DIRECT REPLACEMENT FOR LC2D9511-G7, SERIES. SUITABLE FOR USE WITH LC2-D SERIES MOTOR CONTROL SYSTEMS



THIRD ANGLE PROJECTION

PROPRIETARY AND CONFIDENTIAL

THE INFORMATION CONTAINED IN THIS DRAWING IS THE SOLE PROPERTY OF BRAH ELECTRIC. ANY REPRODUCTION IN PART OR AS A WHOLE WITHOUT THE WRITTEN PERMISSION OF BRAH ELECTRIC IS PROHIBITED.

UNLESS OTHERWISE NOTED

ALL DIMENSIONS ARE IN INCHES  
METRIC UNITS ARE DISPLAYED  
BENEATH IN [ MM. ]

MATERIAL  
MOLDED PLASTIC CASE  
FINISH

N/A

DO NOT SCALE DRAWING



MAGNETIC CONTACTOR

SIZE **A** DWG. NO. BLC2D9511-G7

REV. **A**

SCALE: 1:5

WEIGHT: 3.2 LBS

SHEET 1 OF 1