



CONTACT US @ 855-355-2724

E-Mail: Sales@brahelectric.com

www.Brahelectric.com

PRODUCT DATA SHEET



Contactors
Picture is for reference only,
Actual Kit may vary slightly

Voltage Selection Chart BLP1D0910XX

BLP1D09	120VDC
BLP1D0910	120VDC
BLP1D0910BD	24VDC
BLP1D0910GD	120VDC
BLP1D0910UD	240VDC

PART NUMBER-BLP1D0910:

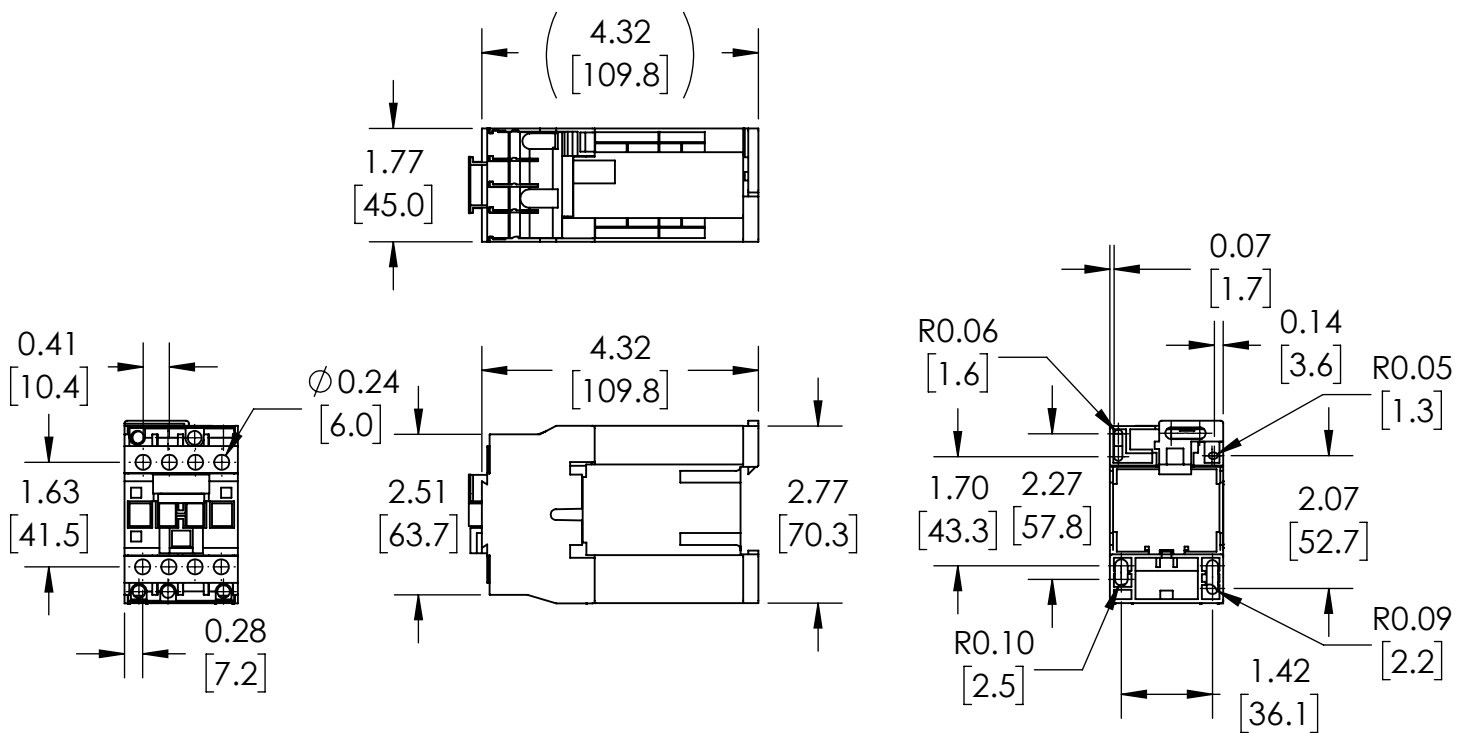
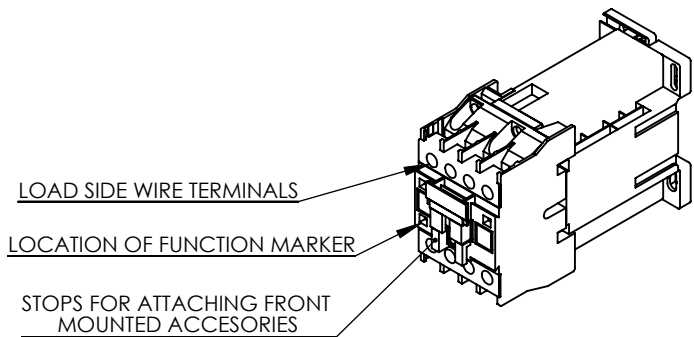
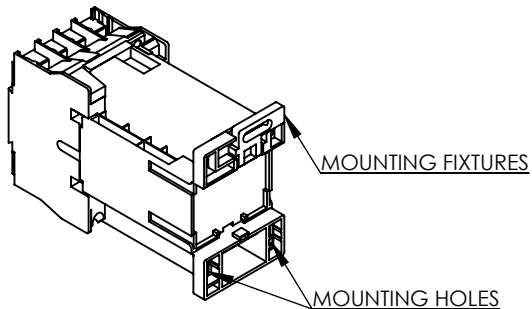
BRAH Electric, direct replacement, after market conversion kit for Telemecanique 25amp, 600volt, 3 pole, DC rated contactor, complete with 120VDC control coil, 1 normally open auxiliary contact, suitable for use with Telemecanique TeSys D type LP1D, direct substitute contactor for Telemecanique OEM LP1D0910BD

PRODUCT SPECIFICATIONS

Manufacturer	BRAH Electric
Sub-Category	Contactors
Family	TeSys D
Type	BLP1D
Suitable For	LP1D
Voltage	600
Amperage	25
Poles	3
Phase	3
Horse Power	5

Warranty: All Products sold by BRAH Electric are guaranteed to be free of defect for a period of two years, under the condition that the product has been installed and operated properly. All items proven defective within the one year period will be replaced by BRAH Electric. In the event that we cannot provide a direct replacement, your monies will be refunded in full. We are not responsible for any consequential losses or damages outside of the defective product as well as any replacements or repairs performed by another party without our written authorization from BRAH Electric.

REVISIONS				
ZONE	REV.	DESCRIPTION	DATE	APPROVED



*NOTE: BRAH ELECTRIC CONTACTOR BLP1D0910 IS AN AFTERMARKET DIRECT REPLACEMENT FOR LP1D0910, LP1-D SERIES. SUITABLE FOR USE WITH LP1-D SERIES MOTOR CONTROL SYSTEMS

THIRD ANGLE PROJECTION

PROPRIETARY AND CONFIDENTIAL

THE INFORMATION CONTAINED IN THIS DRAWING IS THE SOLE PROPERTY OF BRAH ELECTRIC. ANY REPRODUCTION IN PART OR AS A WHOLE WITHOUT THE WRITTEN PERMISSION OF BRAH ELECTRIC IS PROHIBITED.

UNLESS OTHERWISE NOTED
ALL DIMENSIONS ARE IN INCHES
METRIC UNITS ARE DISPLAYED
BENEATH IN [MM.]

MATERIAL	MOLDED PLASTIC CASE
FINISH	N/A
DO NOT SCALE DRAWING	



MAGNETIC CONTACTOR

SIZE	DWG. NO.	REV.
A	BLP1D0910	A
SCALE: 1:3	WEIGHT: 3.2 LBS	SHEET 1 OF 1