



CONTACT US @ 855-355-2724

E-Mail: Sales@brahelectric.com

www.Brahelectric.com

PRODUCT DATA SHEET



Contactors

Picture is for reference only,

Actual Kit may vary slightly

Contactor voltage selection chart BLP1D12-XX

| | |
|-------------|--------|
| BLP1D12 | 120VDC |
| BLP1D1210 | 120VDC |
| BLP1D1210BD | 24VDC |
| BLP1D1210GD | 120VDC |
| BLP1D1210UD | 240VDC |

PART NUMBER-BLP1D1210BD:

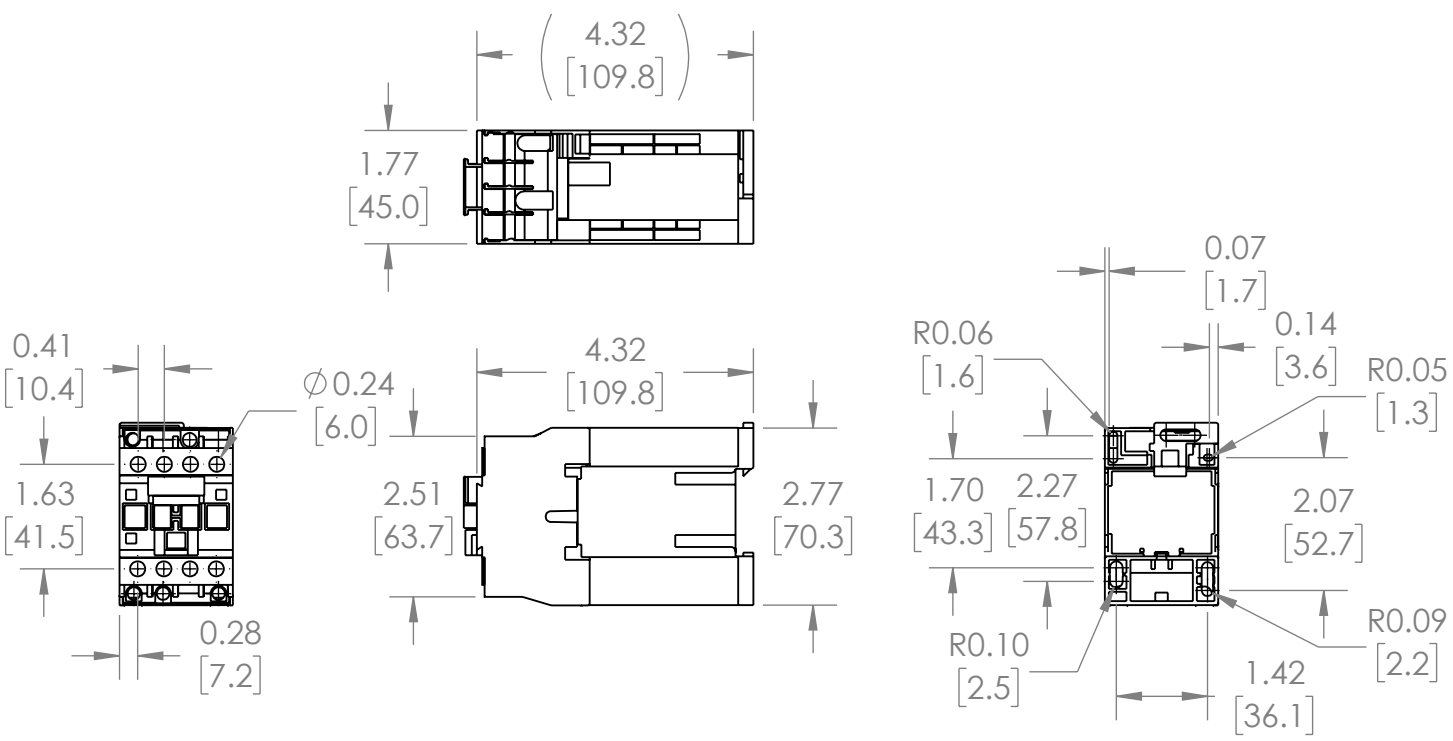
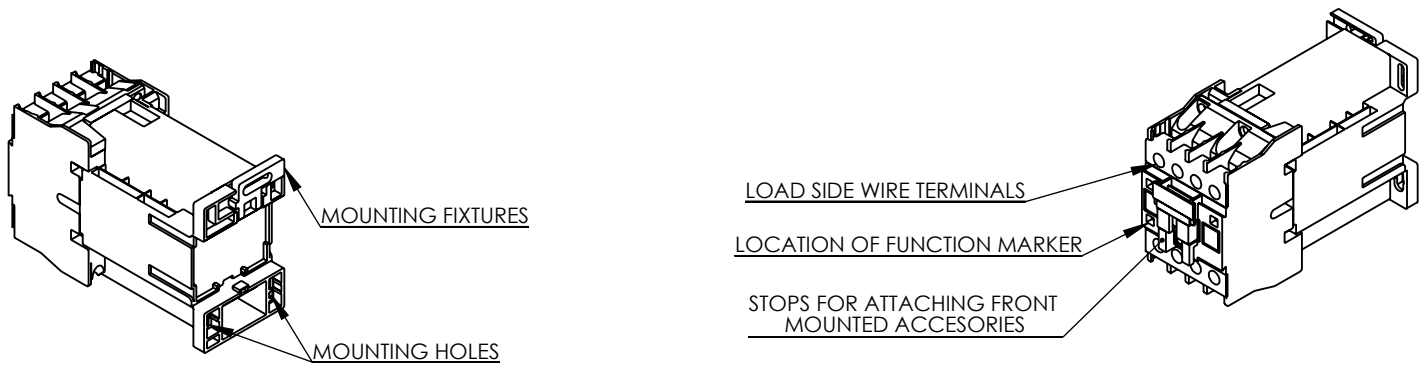
BRAH Electric, Direct replacement aftermarket conversion kit for Telemecanique LP1D1210BD, 25amp, 600volt, 3 pole, DC rated contactor, complete with 24VDC control coil, 1 normally open auxiliary contact, suitable for use with Telemecanique TeSys D type LP1D, direct substitute contactor for Telemecanique OEM LP1D1210BD

PRODUCT SPECIFICATIONS

| | |
|------------------|---------------|
| Manufacturer | BRAH Electric |
| Sub-Category | Contactor |
| Family | TeSys D |
| Type | LP1D, BLP1D |
| Coil Voltage Min | 24 |
| Coil Voltage Max | 24 |
| Voltage | 600 |
| Amperage | 25 |
| Poles | 3 |
| Phase | 3 |

Warranty: All Products sold by BRAH Electric are guaranteed to be free of defect for a period of two years, under the condition that the product has been installed and operated properly. All items proven defective within the one year period will be replaced by BRAH Electric. In the event that we cannot provide a direct replacement, your monies will be refunded in full. We are not responsible for any consequential losses or damages outside of the defective product as well as any replacements or repairs performed by another party without our written authorization from BRAH Electric.

| REVISIONS | | | | |
|-----------|------|-------------|------|----------|
| ZONE | REV. | DESCRIPTION | DATE | APPROVED |



***NOTE: BRAH ELECTRIC CONTACTOR BLP1D1210BD IS AN AFTERMARKET DIRECT REPLACEMENT FOR LP1D1210BD, LP1-D SERIES. SUITABLE FOR USE WITH LP1-D SERIES MOTOR CONTROL SYSTEMS**

| | | |
|--------------------------------------------|------------------------------------------------------------------------------------------------------------------------------------------------------------------------------------------------------------------------------------------|----------------------|
| <p>THIRD ANGLE PROJECTION</p> | <p>UNLESS OTHERWISE NOTED</p> <p>ALL DIMENSIONS ARE IN INCHES</p> <p>METRIC UNITS ARE DISPLAYED</p> <p>BENEATH IN [MM.]</p> | |
| | <p>PROPRIETARY AND CONFIDENTIAL</p> <p>THE INFORMATION CONTAINED IN THIS DRAWING IS THE SOLE PROPERTY OF BRAH ELECTRIC. ANY REPRODUCTION IN PART OR AS A WHOLE WITHOUT THE WRITTEN PERMISSION OF BRAH ELECTRIC IS PROHIBITED.</p> | |
| <p>MATERIAL</p> <p>MOLDED PLASTIC CASE</p> | <p>FINISH</p> <p>N/A</p> | <p>SIZE A</p> |
| <p>DO NOT SCALE DRAWING</p> | <p>DWG. NO. BLP1D1210BD</p> | <p>REV. A</p> |
| <p>SCALE: 1:3</p> | <p>WEIGHT: 3.2 LBS</p> | <p>SHEET 1 OF 1</p> |