



CONTACT US @ 855-355-2724

E-Mail: [Sales@brahelectric.com](mailto:Sales@brahelectric.com)

[www.Brahelectric.com](http://www.Brahelectric.com)

## PRODUCT DATA SHEET



### Contactors

Picture is for reference only,

Actual Kit may vary slightly

### Contactor voltage selection chart BLP1D65-XX

BLP1D65	120VDC
BLP1D6510	120VDC
BLP1D6510BD	24VDC
BLP1D6510GD	120VDC
BLP1D6510UD	240VDC

### **PART NUMBER-BLP1D6510BD:**

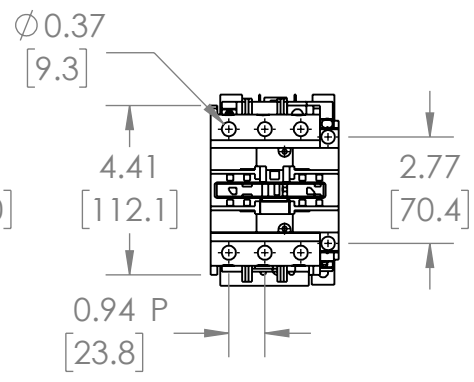
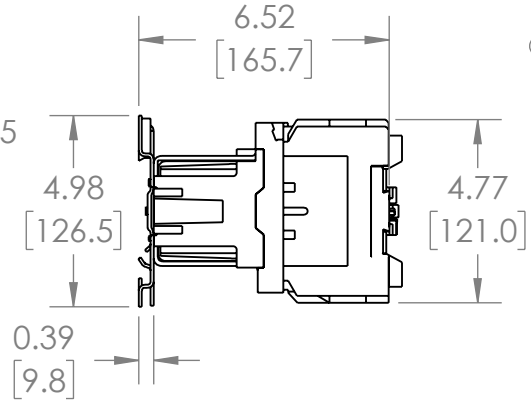
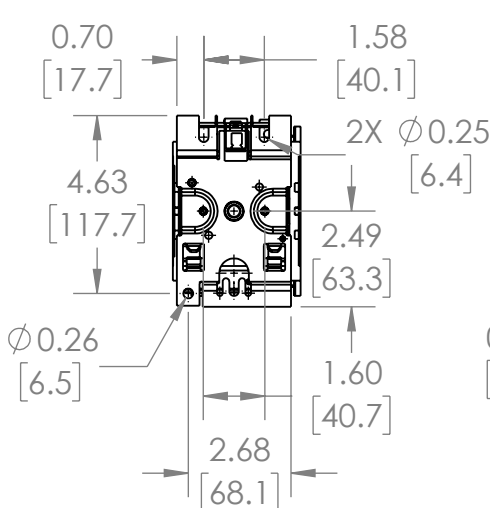
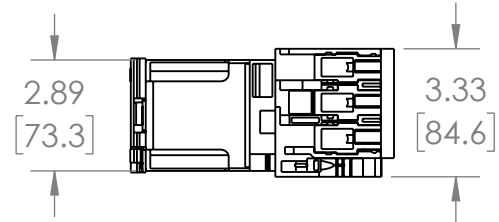
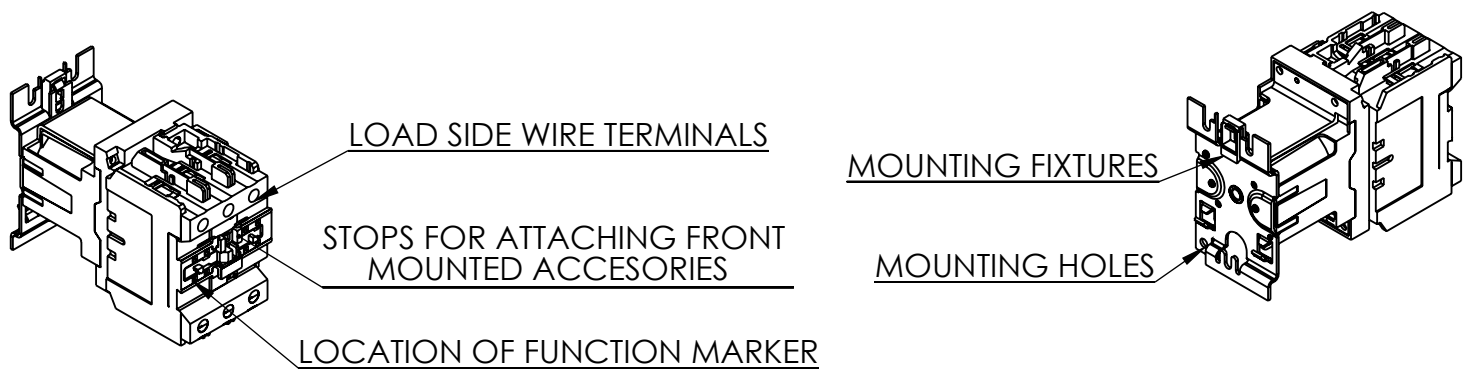
BRAH Electric, Direct replacement aftermarket conversion kit for Telemecanique LP1D6510BD, LP1D65, 80amp, 600volt, 3 pole, DC rated contactor, complete with 24VDC control coil, 1 normally open auxiliary contact, suitable for use with Telemecanique TeSys D type LP1D, direct substitute contactor for Telemecanique OEM LP1D6510BD

### **PRODUCT SPECIFICATIONS**

Manufacturer	BRAH Electric
Sub-Category	Contactors
Family	TeSys D
Type	LP1D, BLP1D
Coil Voltage Min	24
Coil Voltage Max	24
Voltage	600
Amperage	80
Poles	3
Phase	3

**Warranty:** All Products sold by BRAH Electric are guaranteed to be free of defect for a period of two years, under the condition that the product has been installed and operated properly. All items proven defective within the one year period will be replaced by BRAH Electric. In the event that we cannot provide a direct replacement, your monies will be refunded in full. We are not responsible for any consequential losses or damages outside of the defective product as well as any replacements or repairs performed by another party without our written authorization from BRAH Electric.

REVISIONS				
ZONE	REV.	DESCRIPTION	DATE	APPROVED



**\*NOTE: BRAH ELECTRIC CONTACTOR BLP1D6510BD IS AN AFTERMARKET DIRECT REPLACEMENT FOR LP1D6510BD, LP1-D SERIES. SUITABLE FOR USE WITH LP1-D SERIES MOTOR CONTROL SYSTEMS**

<p>THIRD ANGLE PROJECTION</p>	<p>UNLESS OTHERWISE NOTED</p> <p>ALL DIMENSIONS ARE IN INCHES METRIC UNITS ARE DISPLAYED BENEATH IN [ MM. ]</p>	<p><b>MAGNETIC CONTACTOR</b></p>
	<p><b>PROPRIETARY AND CONFIDENTIAL</b></p> <p>THE INFORMATION CONTAINED IN THIS DRAWING IS THE SOLE PROPERTY OF BRAH ELECTRIC. ANY REPRODUCTION IN PART OR AS A WHOLE WITHOUT THE WRITTEN PERMISSION OF BRAH ELECTRIC IS PROHIBITED.</p>	
<p>SIZE <b>A</b> DWG. NO. <b>BLP1D6510BD</b> REV. <b>A</b></p>		<p>SCALE: 1:5 WEIGHT: 3.2 LBS SHEET 1 OF 1</p>