

PRODUCT DATA SHEET



PART NUMBER – BLP1D95: BRAH Electric, aftermarket direct replacement contactors for Telemecanique LP1D95, TeSys D, type BLC1D, 3P, 3PH, 125A, 600V, 30HP @ 240V, 60HP @ 480V, 60HP @ 600V, complete with 110/120V AC coil, AC magnetic contactor, suitable for use with LC1-D series motor control systems.

PRODUCT SPECIFICATIONS

MAGNETIC CONTACTOR
PART NO. BLP1D95

Voltage Selection Chart

BLP1D95XX

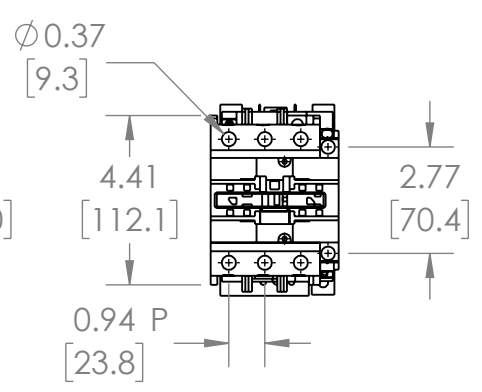
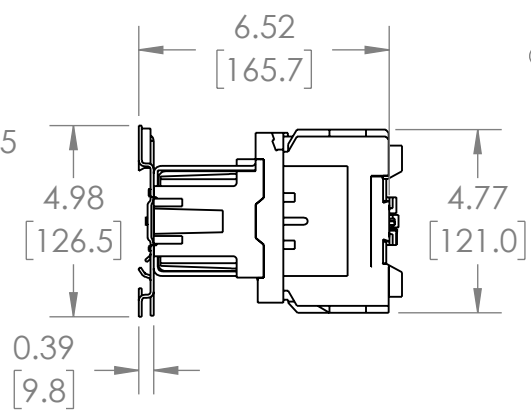
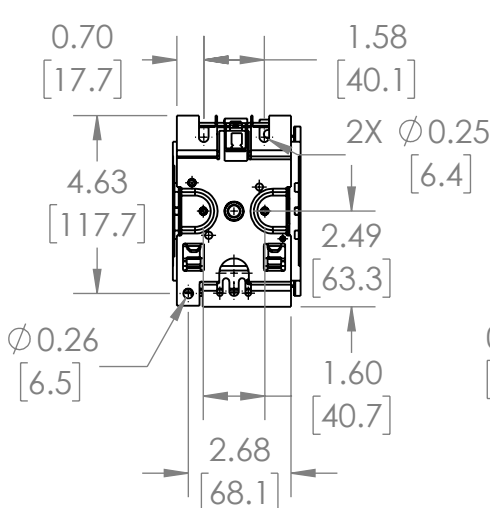
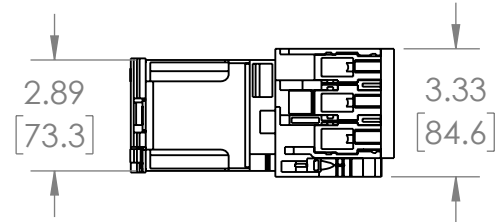
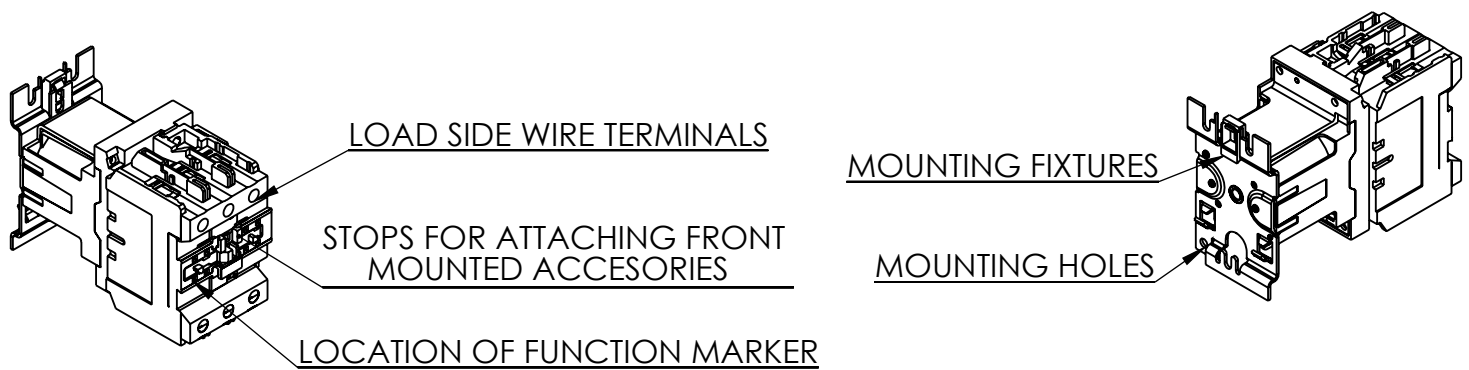
BLP1D95	120VDC
BLP1D9510	120VDC
BLP1D9510BD	24VDC
BLP1D9510GD	120VDC
BLP1D9510UD	240VDC

TYPE	VALUE (UNITS)	NOTES	COM
------	---------------	-------	-----

PHASE	3		
POLES	3		
VOLTAGE	600 (VDC)		
AMPERAGE	125 (A)		
COIL VOLTAGE MIN	120 (V)		
COIL VOLTAGE MAX	120 (V)		
MIN HP. RATING	30 (HP)	@ 240V	
MAX HP RATING	60 (HP)	@ 600V	

Warranty: All Products sold by BRAH Electric are guaranteed to be free of defect for a period of one year, under the condition that the product has been installed and operated properly. All items proven defective within the one year period will be replaced by BRAH Electric. In the event that we cannot provide a direct replacement, your monies will be refunded in full. We are not responsible for any consequential losses or damages outside of the defective product as well as any replacements or repairs performed by another party without our written authorization from BRAH Electric

REVISIONS				
ZONE	REV.	DESCRIPTION	DATE	APPROVED



***NOTE: BRAH ELECTRIC CONTACTOR BLP1D95 IS AN AFTERMARKET DIRECT REPLACEMENT FOR LP1D95, LP1-D SERIES. SUITABLE FOR USE WITH LP1-D SERIES MOTOR CONTROL SYSTEMS**

<p>THIRD ANGLE PROJECTION</p>	<p>UNLESS OTHERWISE NOTED</p> <p>ALL DIMENSIONS ARE IN INCHES METRIC UNITS ARE DISPLAYED BENEATH IN [MM.]</p>		
	<p>PROPRIETARY AND CONFIDENTIAL</p> <p>THE INFORMATION CONTAINED IN THIS DRAWING IS THE SOLE PROPERTY OF BRAH ELECTRIC. ANY REPRODUCTION IN PART OR AS A WHOLE WITHOUT THE WRITTEN PERMISSION OF BRAH ELECTRIC IS PROHIBITED.</p>	<p>MATERIAL MOLDED PLASTIC CASE</p> <p>FINISH N/A</p> <p>DO NOT SCALE DRAWING</p>	<p>MAGNETIC CONTACTOR</p>
<p>SIZE A</p>		<p>DWG. NO. BLP1D95</p>	<p>REV. A</p>
<p>SCALE: 1:5</p>		<p>WEIGHT: 3.2 LBS</p>	<p>SHEET 1 OF 1</p>