



CONTACT US @ 855-355-2724

E-Mail: Sales@brahelectric.com

www.Brahelectric.com

PRODUCT DATA SHEET



PART NUMBER – BLR2D1314: BRAH Electric, aftermarket direct replacement solid state overload relays for Telemecanique LR2D1314, TeSys D Series, type LR2D, 3P, rated for 7.00 - 10.00A, 600V, suitable for use with 9 - 32A LC1D and LC2D contactors

MOTOR STARTER OVERLOAD RELAY
PART NO. BLR2D1314

PRODUCT SPECIFICATIONS

<i>TYPE</i>	<i>VALUE (UNITS)</i>	<i>NOTES</i>	<i>COMMENTS</i>
<i>PHASE</i>	3		
<i>POLES</i>	3		
<i>AMPERAGE MIN</i>	7.00 (A)		
<i>AMPERAGE MAX</i>	10.00 (A)		
<i>VOLTAGE RATING</i>	600V AC		
<i>TRIP CURRENT</i>	125% OF DIAL SETTING		
<i>SUITABLE FOR USE WITH</i>	9 - 32A LC1D and LC2D contactors		
<i>RELAY STYLE</i>	SOLID STATE		

Warranty: All Products sold by BRAH Electric are guaranteed to be free of defect for a period of one year, under the condition that the product has been installed and operated properly. All items proven defective within the one year period will be replaced by BRAH Electric. In the event that we cannot provide a direct replacement, your monies will be refunded in full. We are not responsible for any consequential losses or damages outside of the defective product as well as any replacements or repairs performed by another party without our written authorization from BRAH Electric.

REVISIONS				
ZONE	REV.	DESCRIPTION	DATE	APPROVED

ADJUSTABLE AMPERAGE SETTING

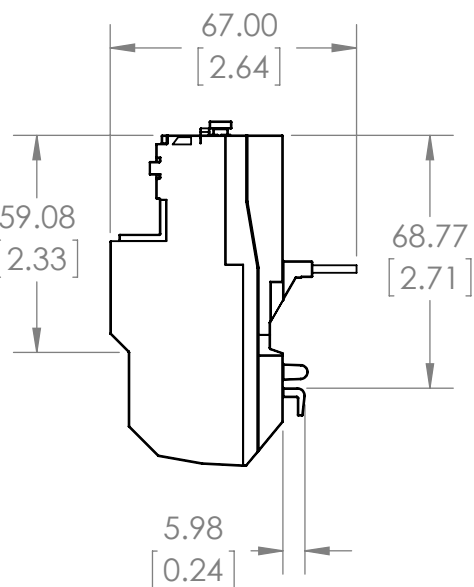
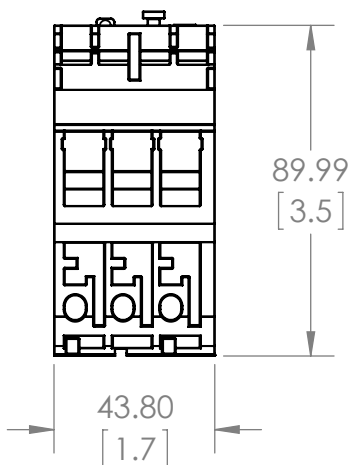
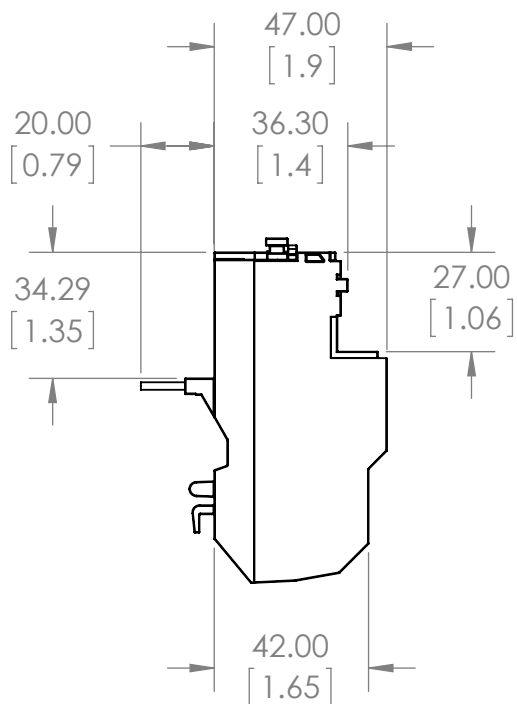
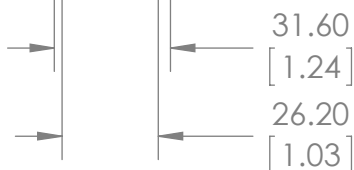
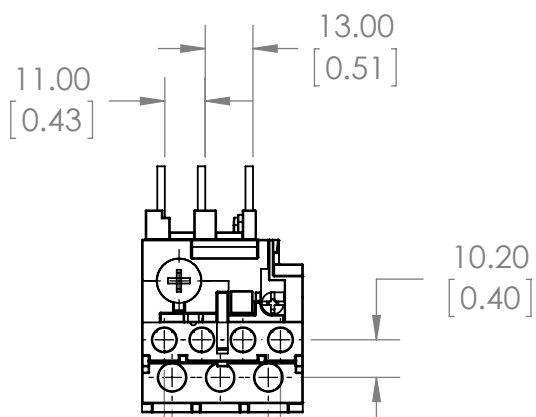
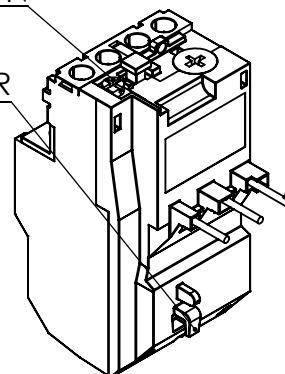
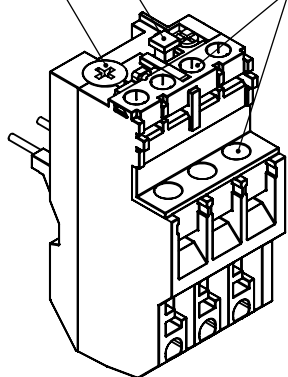
CONNECTION TERMINALS THAT MATE WITH CONTACTOR

TEST FUNCTION

LOAD SIDE WIRE TERMINALS

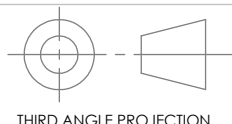
RESET BUTTON

MOUNTING INTERFACE INTEGRATES WITH CONTACTOR



WWW.BRAHELECTRIC.COM, 855-355-2724

*NOTE: BRAH ELECTRIC OVERLOAD RELAY BLR2D1314 IS AN AFTERMARKET DIRECT REPLACEMENT FOR LR2D1314, LR2D SERIES. SUITABLE FOR USE WITH LR2D SERIES MOTOR CONTROL SYSTEMS.



THIRD ANGLE PROJECTION

PROPRIETARY AND CONFIDENTIAL

THE INFORMATION CONTAINED IN THIS DRAWING IS THE SOLE PROPERTY OF BRAH ELECTRIC. ANY REPRODUCTION IN PART OR AS A WHOLE WITHOUT THE WRITTEN PERMISSION OF BRAH ELECTRIC IS PROHIBITED.

UNLESS OTHERWISE NOTED

ALL DIMENSIONS ARE IN INCHES
METRIC UNITS ARE DISPLAYED
BENEATH IN [MM.]

MATERIAL MOLDED CASE

N/A

DO NOT SCALE DRAWING



OVERLOAD RELAY

SIZE	DWG. NO.	REV.
A	BLR2D1314	A
SCALE: 1:2	WEIGHT: 3.2 LBS	SHEET 1 OF 1