



CONTACT US @ 855-355-2724
 E-Mail: Sales@brahelectric.com
www.Brahelectric.com

PRODUCT DATA SHEET



Coils

Picture is for reference only,
 Actual Kit may vary slightly

Coil Voltage selection chart BLX4FGXX

BLX4FG024	24 VDC
BLX4FG048	48 VDC
BLX4FG110	110 VDC
BLX4FG220	220/230 VDC

PART NUMBER-BLX4FG048:

BRAH Electric, Direct replacement aftermarket conversion kit for Telemecanique magnetic control coil, type LX4F, suitable for use with Telemecanique TeSys F Series LC1F185, LC1F225, LC2F185, LC2F225 contactors, assembled unit includes control wiring terminals, direct substitute for Telemecanique OEM LX4FG048

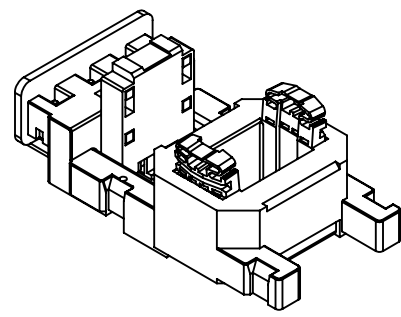
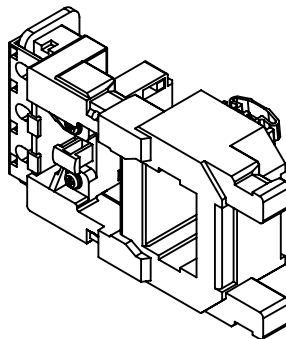
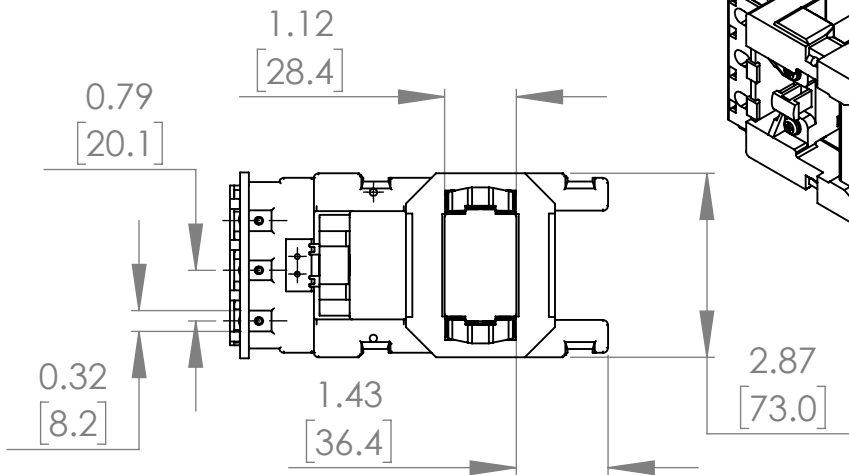
PRODUCT SPECIFICATIONS

Manufacturer	BRAH Electric
Sub-Category	Coil
Family	TeSys F
Type	LX4F, BLX4F
Suitable For	LC1F185, LC2F185, LC1F225, LC2F225
Voltage	48

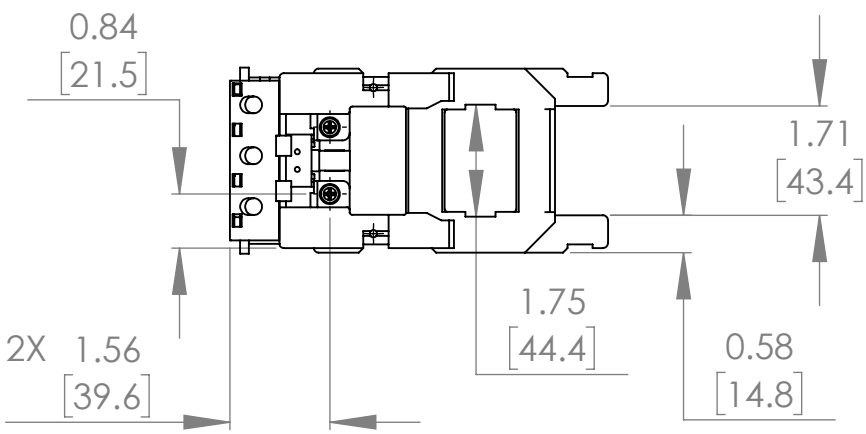
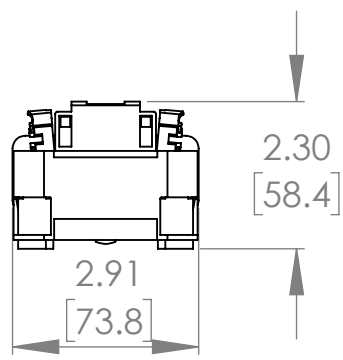
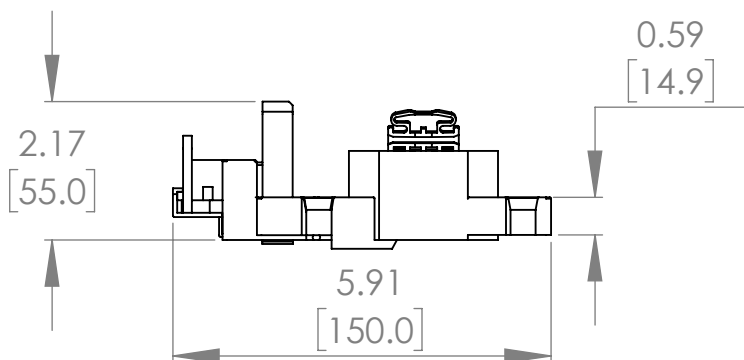
Warranty: All Products sold by BRAH Electric are guaranteed to be free of defect for a period of two years, under the condition that the product has been installed and operated properly. All items proven defective within the one year period will be replaced by BRAH Electric. In the event that we cannot provide a direct replacement, your monies will be refunded in full. We are not responsible for any consequential losses or damages outside of the defective product as well as any replacements or repairs performed by another party without our written authorization from BRAH Electric.

REVISIONS

ZONE	REV.	DESCRIPTION	DATE	APPROVED
------	------	-------------	------	----------



ISO VIEW



* NOTE: BRAH ELECTRIC COILS ARE A DIRECT REPLACEMENT FOR TELEMECANIQUE LX4FG048, TESYS F SERIES, TYPE BLX4F, 275 - 315 A, 48VDC 60HZ, SUITABLE FOR USE WITH LC1F185, LC1F225, LC2F185, LC2F225 CONTACTORS.

WWW.BRAHELECTRIC.COM, 855-355-2724

<p>THIRD ANGLE PROJECTION</p>	<p>UNLESS OTHERWISE NOTED</p> <p>ALL DIMENSIONS ARE IN INCHES METRIC UNITS ARE DISPLAYED BENEATH IN [MM.]</p>			
	<p>PROPRIETARY AND CONFIDENTIAL</p> <p>THE INFORMATION CONTAINED IN THIS DRAWING IS THE SOLE PROPERTY OF BRAH ELECTRIC. ANY REPRODUCTION IN PART OR AS A WHOLE WITHOUT THE WRITTEN PERMISSION OF BRAH ELECTRIC IS PROHIBITED.</p>			<p>MATERIAL</p> <p>-</p>
<p>FINISH</p> <p>N/A</p>	<p>DO NOT SCALE DRAWING</p>	<p>SIZE A</p>	<p>DWG. NO.</p> <p>BLX4FG048</p>	<p>REV.</p> <p>A</p>
		<p>SCALE:1:3</p>	<p>WEIGHT:</p>	<p>SHEET 1 OF 1</p>