

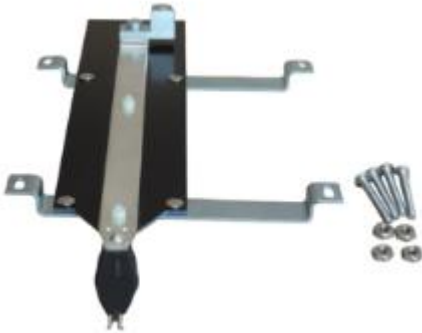


CONTACT US @ 855-355-2724

E-Mail: Sales@brahelectric.com

www.Brahelectric.com

PRODUCT DATA SHEET



Neutral kit

Picture is for reference only,
Actual Kit may vary slightly

PART NUMBER- BOSN100A240V:

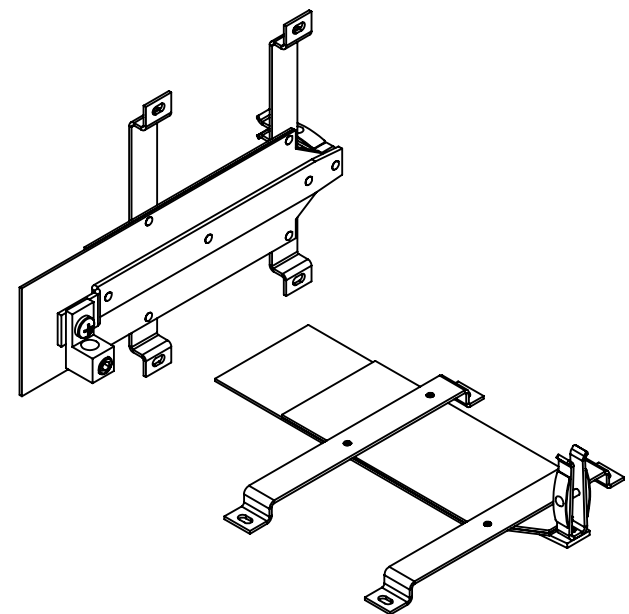
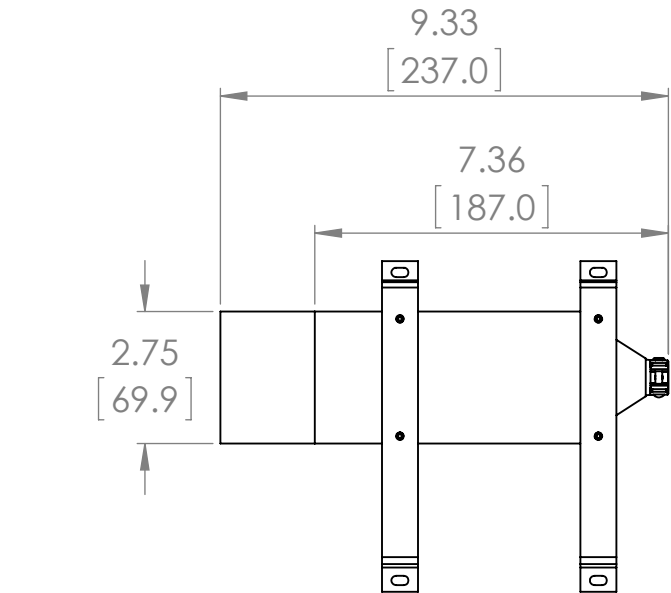
BRAH Electric, BD Series substitute neutral kit for ITE/ siemens/Gould/Building, neutral kit assembly 100A, 240V, suitable for use with BOS 100A 240V, rated fusible bus plugs.

PRODUCT SPECIFICATIONS

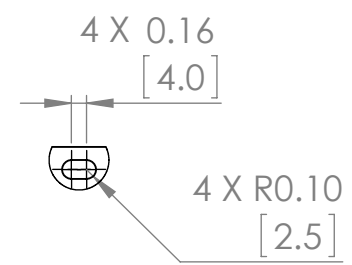
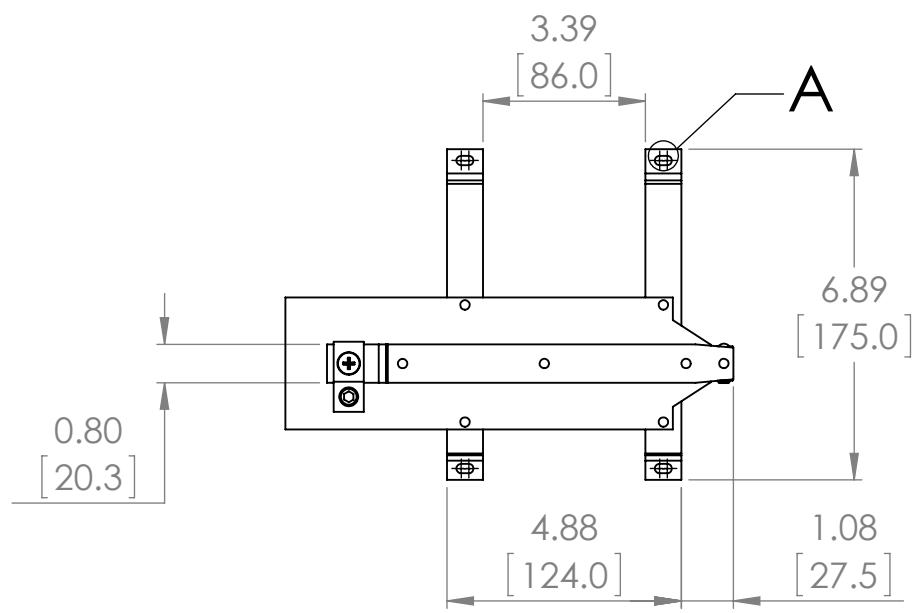
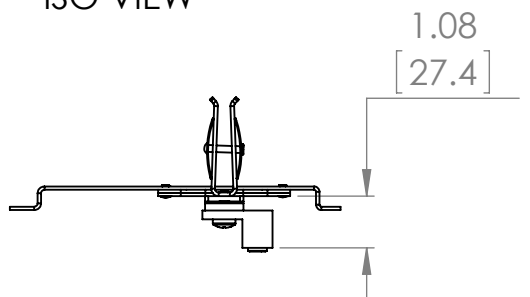
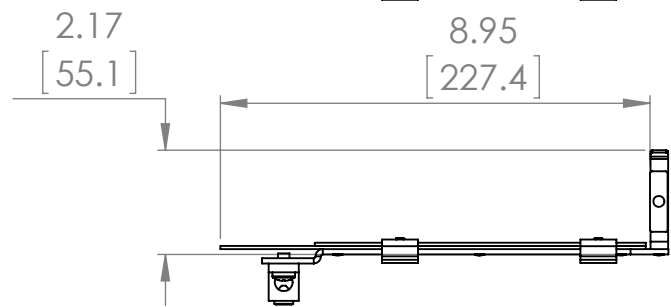
Manufacturer	BRAH Electric
Sub-Category	Neutral Kit
Family	BD series
Type	BOS
Voltage	240
Amperage	100
Suitable for	BOS

Warranty: All Products sold by BRAH Electric are guaranteed to be free of defect for a period of two years, under the condition that the product has been installed and operated properly. All items proven defective within the one year period will be replaced by BRAH Electric. In the event that we cannot provide a direct replacement, your monies will be refunded in full. We are not responsible for any consequential losses or damages outside of the defective product as well as any replacements or repairs performed by another party without our written authorization from BRAH Electric.

REVISIONS				
ZONE	REV.	DESCRIPTION	DATE	APPROVED



ISO VIEW



DETAIL A
SCALE 1 : 2

WWW.BRAHELECTRIC.COM, 855-355-2724

* NOTE: BRAH ELECTRIC AFTERMARKET DIRECT REPLACEMENT FOR ITE/SIEMENS/GOULD/BULLDOG, BD SERIES, NEUTRAL KITS, NEUTRAL KIT ASSEMBLY, 100A, 600V; SUITABLE USE WITH BOS 100A 600V RATED FUSIBLE BUS PLUGS

<p>THIRD ANGLE PROJECTION</p>	<p>UNLESS OTHERWISE NOTED ALL DIMENSIONS ARE IN INCHES METRIC UNITS ARE DISPLAYED BENEATH IN [MM.]</p>			
	<p>PROPRIETARY AND CONFIDENTIAL THE INFORMATION CONTAINED IN THIS DRAWING IS THE SOLE PROPERTY OF BRAH ELECTRIC. ANY REPRODUCTION IN PART OR AS A WHOLE WITHOUT THE WRITTEN PERMISSION OF BRAH ELECTRIC IS PROHIBITED.</p>		<p>NEUTRAL KITS</p>	
<p>MATERIAL</p> <p>-</p>	<p>FINISH</p> <p>N/A</p>	<p>DO NOT SCALE DRAWING</p>	<p>SIZE A DWG. NO. BOSN100A240V</p>	<p>REV. A</p>
			<p>SCALE: 1:4</p>	<p>WEIGHT: 3.2 LBS</p>
			<p>SHEET 1 OF 1</p>	