



CONTACT US @ 855-355-2724

E-Mail: Sales@brahelectric.com

www.Brahelectric.com

PRODUCT DATA SHEET



BUS PLUGS

Picture is for reference only,
Actual Kit may vary slightly

PART NUMBER- BOSN200A240V:

BRAH Electric aftermarket direct replacement for ITE/Siemens/Gould/Bulldog, BD Series, neutral kits, neutral kit assembly, 200A, 240V; suitable for use with BOS 200A 240V rated fusible bus plugs

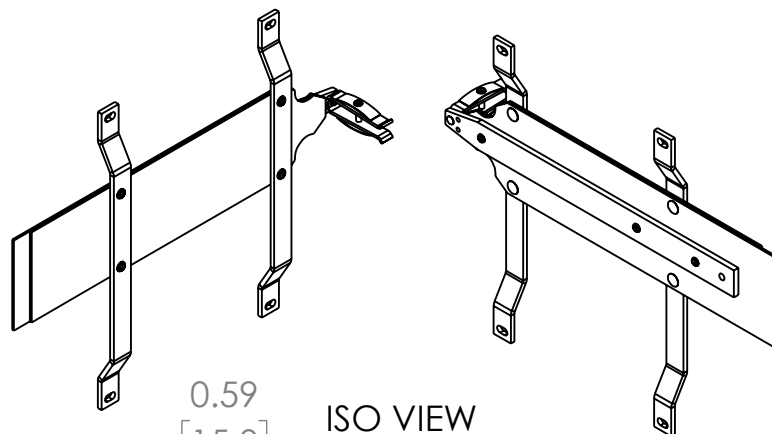
PRODUCT SPECIFICATIONS

Manufacturer	BRAH Electric
Sub-Category	Neutral Kit
Family	BD Series
Type	BOS
Voltage	240
Amperage	200
Suitable for	BOS

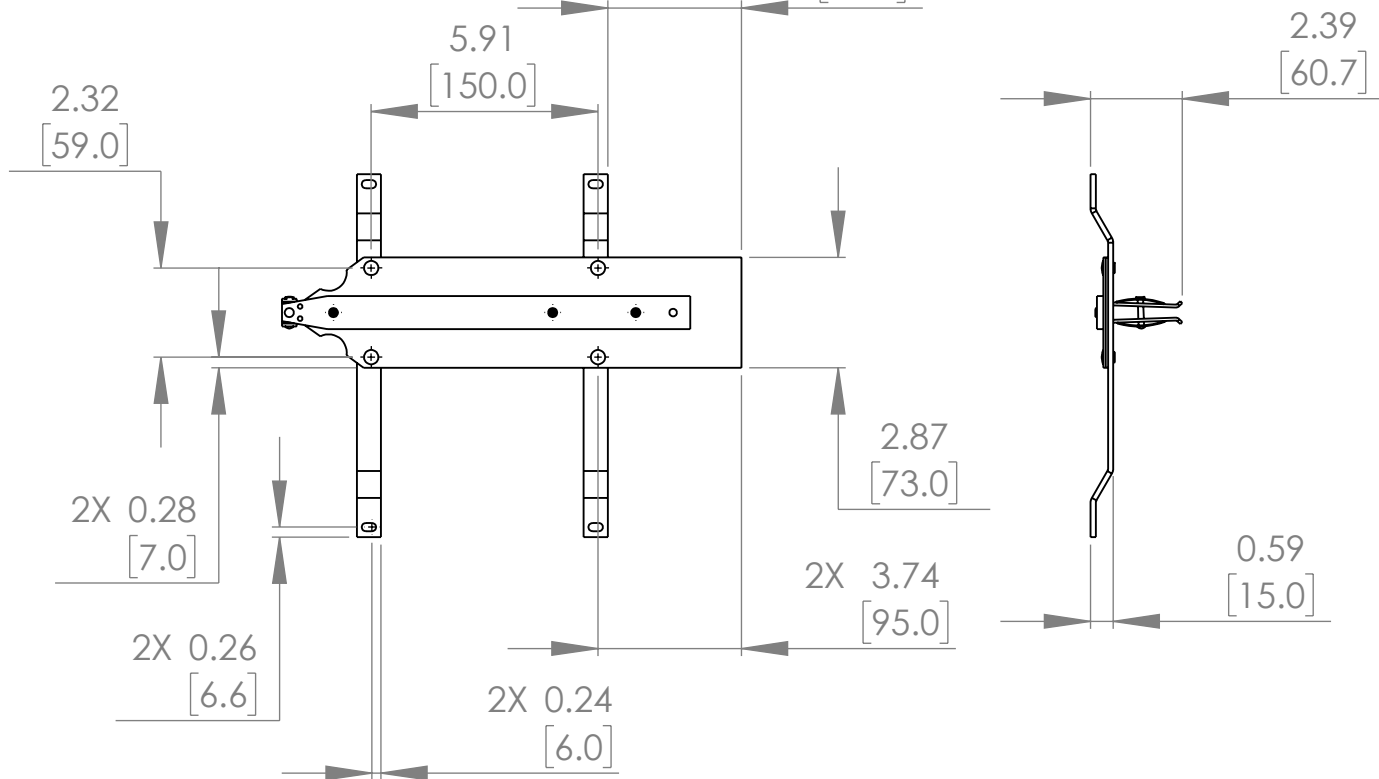
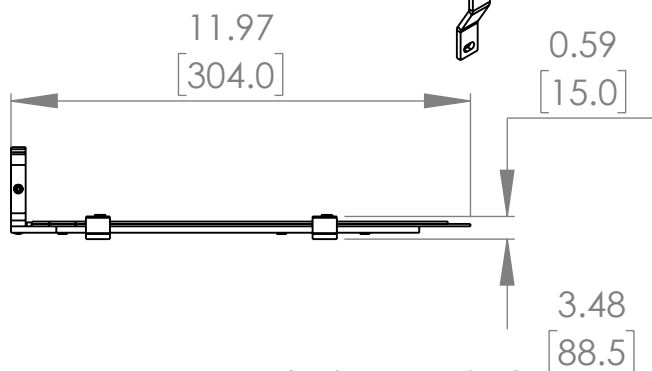
Warranty: All Products sold by BRAH Electric are guaranteed to be free of defect for a period of two years, under the condition that the product has been installed and operated properly. All items proven defective within the one year period will be replaced by BRAH Electric. In the event that we cannot provide a direct replacement, your monies will be refunded in full. We are not responsible for any consequential losses or damages outside of the defective product as well as any replacements or repairs performed by another party without our written authorization from BRAH Electric.

REVISIONS

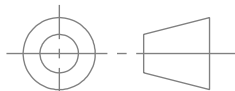
ZONE	REV.	DESCRIPTION	DATE	APPROVED
------	------	-------------	------	----------



ISO VIEW



* NOTE: BRAH ELECTRIC NEUTRAL KITS ARE A DIRECT REPLACEMENT FOR ITE/SIEMENS/ GOULD/BULLDOG, BD SERIES, NEUTRAL KITS, NEUTRAL KIT ASSEMBLY, 200A, 240V; SUITABLE FOR USE WITH BOS 200A 240V RATED FUSIBLE BUS PLUGS



THIRD ANGLE PROJECTION

PROPRIETARY AND CONFIDENTIAL

THE INFORMATION CONTAINED IN THIS DRAWING IS THE SOLE PROPERTY OF BRAH ELECTRIC. ANY REPRODUCTION IN PART OR AS A WHOLE WITHOUT THE WRITTEN PERMISSION OF BRAH ELECTRIC IS PROHIBITED.

UNLESS OTHERWISE NOTED

ALL DIMENSIONS ARE IN INCHES METRIC UNITS ARE DISPLAYED BENEATH IN [MM.]

MATERIAL	-
FINISH	N/A
DO NOT SCALE DRAWING	



NEUTRAL KITS

SIZE	DWG. NO.	REV.
A	BOSN200A240V	A
SCALE: 1:5	WEIGHT:	SHEET 1 OF 1