



CONTACT US

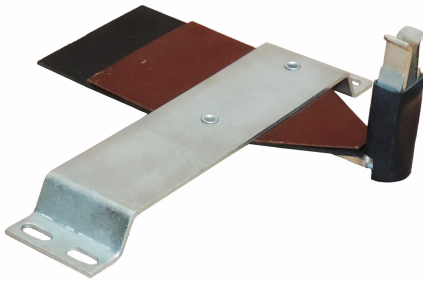
855.355.2724

E-Mail: sales@brahelectric.com

[www.brahelectric.com](http://www.brahelectric.com)

## PRODUCT DATA SHEET

---



*BUS PLUGS*

*PART NO. BOSN60A240V*

### **PART NUMBER – BOSN60A240V**

BRAH Electric aftermarket direct replacement for ITE/Siemens/Gould/Bulldog, BD Series, neutral kits, neutral kit assembly rated for, 60A, 240V; suitable for use with BOS 60A 240V rated fusible bus plugs.

BOSN60A240V, bus plug neutral kit assembly, rated for 60 amp 240 volt use only, neutral designed and engineered as substitute for OEM ITE and Siemens Bulldog type BOS fusible bus plugs, neutral kit for converting or adding 4th wire neutral to 3 phase 60 amp 240 volt bus plug.

### **PRODUCT SPECIFICATIONS**

Manufacturer	BRAH Electric
Sub-Category	Neutral Kits
Family	BD Series
Type	BOS
OEM Manufacturer	Siemens
Amperage	60A
Voltage	240V

**Warranty:** All Products sold by BRAH Electric are guaranteed to be free of defect for a period of two years, under the condition that the product has been installed and operated properly. All items proven defective within the one year period will be replaced by BRAH Electric. In the event that we cannot provide a direct replacement, your monies will be refunded in full. We are not responsible for any consequential losses or damages outside of the defective product as well as any replacements or repairs performed by another party without our written authorization from BRAH Electric.

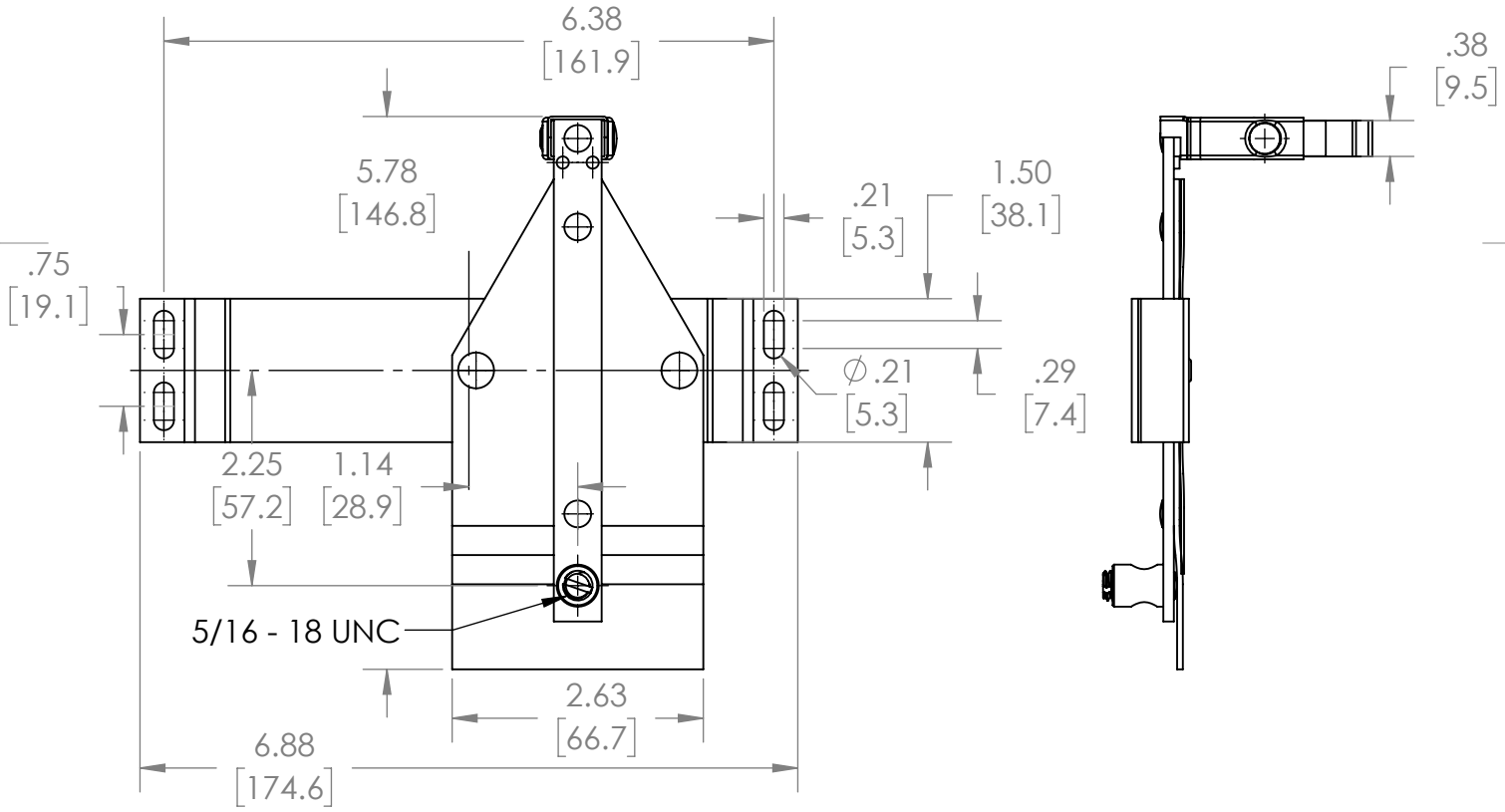
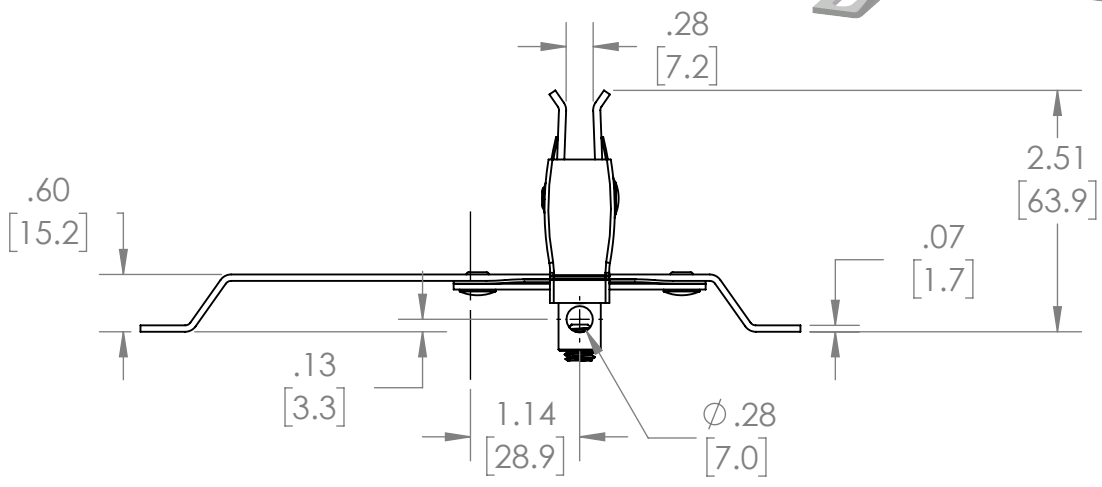
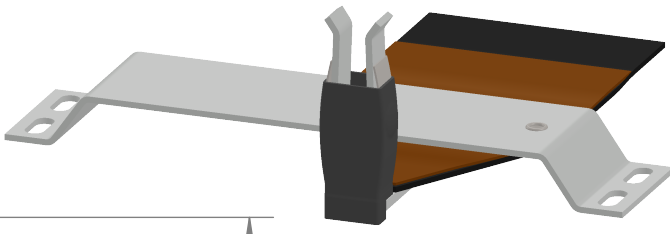
4

3

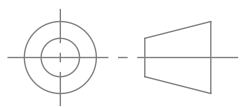
2

1

REVISIONS				
ZONE	REV.	DESCRIPTION	DATE	APPROVED



[WWW.BRAHELECTRIC.COM](http://WWW.BRAHELECTRIC.COM), 855-355-2724



THIRD ANGLE PROJECTION

UNLESS OTHERWISE NOTED  
ALL DIMENSIONS ARE IN INCHES  
METRIC UNITS ARE DISPLAYED  
BENEATH IN [ MM. ]

GENERAL TOLERANCE  
ASME Y14.5M-1994

**PROPRIETARY AND CONFIDENTIAL**  
THE INFORMATION CONTAINED IN THIS  
DRAWING IS THE SOLE PROPERTY OF  
BRAH ELECTRIC. ANY REPRODUCTION  
IN PART OR AS A WHOLE WITHOUT THE  
WRITTEN PERMISSION OF BRAH ELECTRIC  
IS PROHIBITED.

MATERIAL  
FINISH  
DRAWN  
MHENRY  
DATE  
3/21/2024



Bus Plug Neutral Kit  
Assembly

SIZE <b>A</b>	DWG. NO. <b>BOSN60A240V</b>	REV. <b>A</b>
------------------	--------------------------------	------------------

DO NOT SCALE DRAWING

SCALE: 1:2      WEIGHT: 0.45 LBS      SHEET 1 OF 1

4

3

2

1