



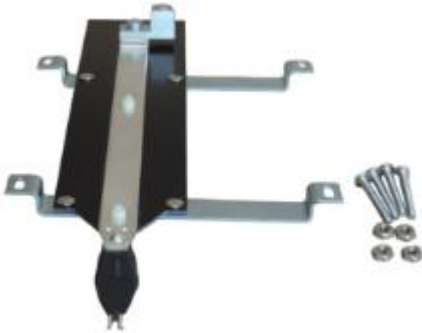
CONTACT US @ 855-355-2724

E-Mail: [Sales@brahelectric.com](mailto:Sales@brahelectric.com)

[www.Brahelectric.com](http://www.Brahelectric.com)

## PRODUCT DATA SHEET

---



Neutral kit

Picture is for reference only,  
Actual Kit may vary slightly

### **PART NUMBER- BOSN60A600V:**

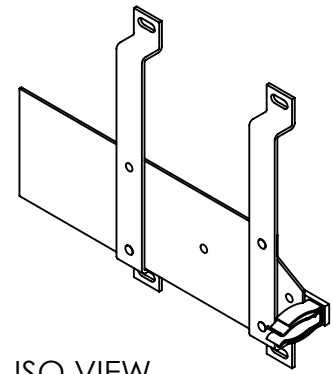
BRAH Electric, BD Series substitute neutral kit for ITE/ siemens/Gould/Building, neutral kit assembly Rated for 30A-60A, 600V; suitable for use with 30A and 60A 600V, rated type of BOS fusible bus plugs.

### **PRODUCT SPECIFICATIONS**

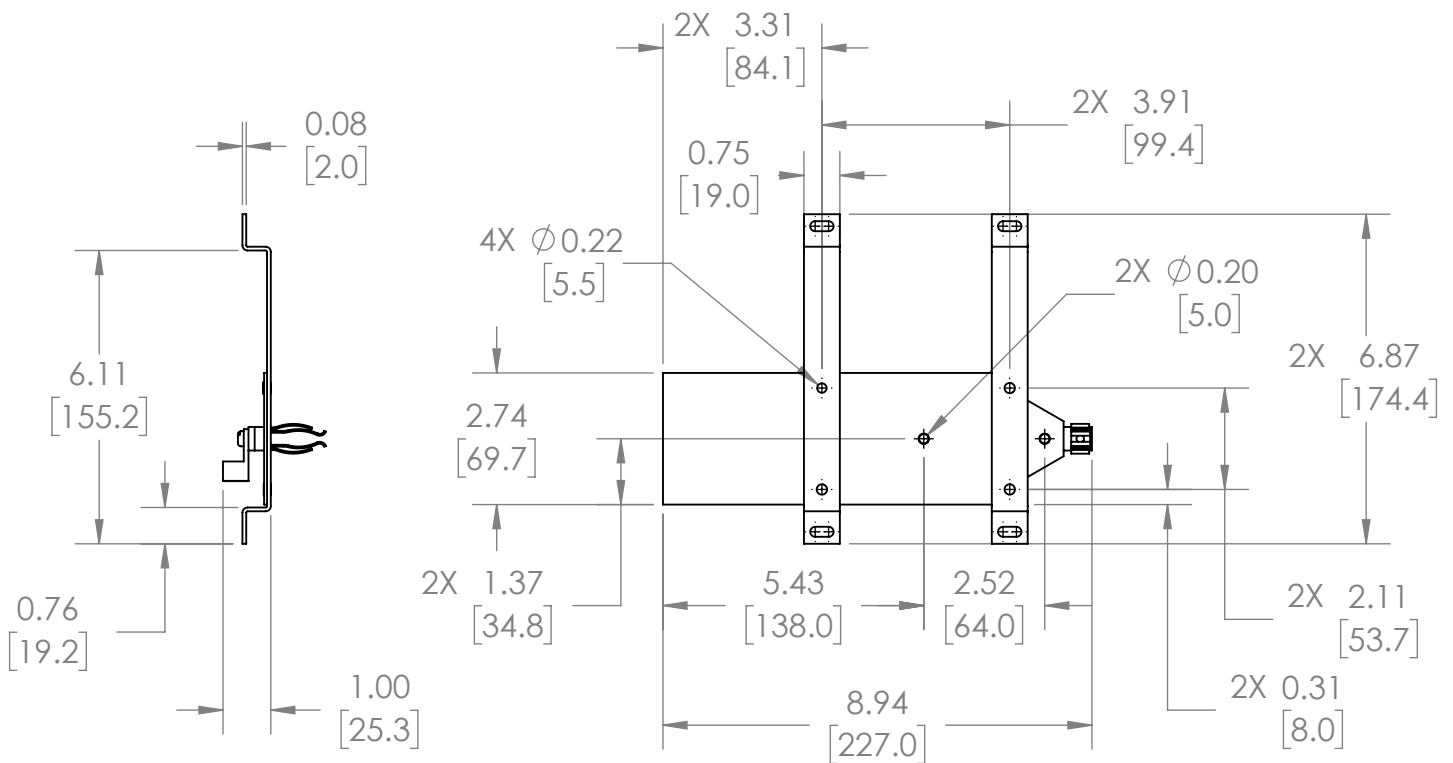
Manufacturer	BRAH Electric
Sub-Category	Neutral Kit
Family	BD series
Type	BOS
Voltage	240
Amperage	100
Suitable for	BOS

**Warranty:** All Products sold by BRAH Electric are guaranteed to be free of defect for a period of two years, under the condition that the product has been installed and operated properly. All items proven defective within the one year period will be replaced by BRAH Electric. In the event that we cannot provide a direct replacement, your monies will be refunded in full. We are not responsible for any consequential losses or damages outside of the defective product as well as any replacements or repairs performed by another party without our written authorization from BRAH Electric.

REVISIONS				
ZONE	REV.	DESCRIPTION	DATE	APPROVED



ISO VIEW



[WWW.BRAHELECTRIC.COM](http://WWW.BRAHELECTRIC.COM), 855-355-2724

\*NOTE: BRAH ELECTRIC BUS PLUG ACCESSORIES BOSN60A600V IS DIRECT NEUTRAL KITS, NEUTRAL KIT ASSEMBLY, RATED FOR 30A-60A, 600V; SUITABLE FOR USE WITH 30A AND 60A 600V RATED TYPE BOS FUSIBLE BUS PLUGS

<p>THIRD ANGLE PROJECTION</p>	<p>UNLESS OTHERWISE NOTED</p> <p>ALL DIMENSIONS ARE IN INCHES METRIC UNITS ARE DISPLAYED BENEATH IN [ MM. ]</p>			
	<p>PROPRIETARY AND CONFIDENTIAL</p> <p>THE INFORMATION CONTAINED IN THIS DRAWING IS THE SOLE PROPERTY OF BRAH ELECTRIC. ANY REPRODUCTION IN PART OR AS A WHOLE WITHOUT THE WRITTEN PERMISSION OF BRAH ELECTRIC IS PROHIBITED.</p>			
<p>MATERIAL</p> <p>-</p>		<p>FINISH</p> <p>N/A</p>		<p>SIZE <b>A</b></p>
<p>DO NOT SCALE DRAWING</p>		<p>DWG. NO. BOSN60A600V</p>		<p>REV. <b>A</b></p>
		<p>SCALE: 1:4</p>	<p>WEIGHT: 3.2 LBS</p>	<p>SHEET 1 OF 1</p>