



CONTACT US @ 855-355-2724

E-Mail: Sales@brahelectric.com

www.Brahelectric.com

PRODUCT DATA SHEET



BUS PLUGS

Picture is for reference only,
Actual Kit may vary slightly

PART NUMBER- BOSSTABINS2H:

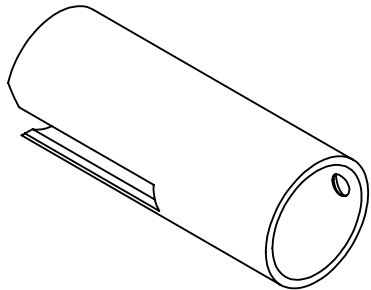
BRAH Electric direct replacement Parts & Accessories. suitable for use with 400 amp and 600 amp rated bus plug stabs from the BD Series type BOS bus plugs, as well as BRAH Electric BES bus plugs, designed for both fusible and breaker type models, direct substitute replacement for OEM Siemens, ITE, Gould and Bulldog legacy model BOS bus plug applications from 400 amp up to 600 amp.

PRODUCT SPECIFICATIONS

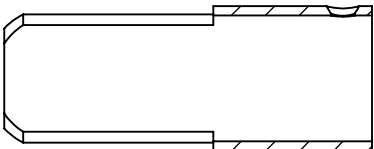
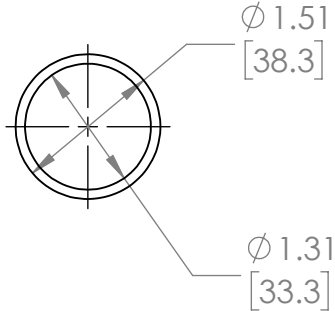
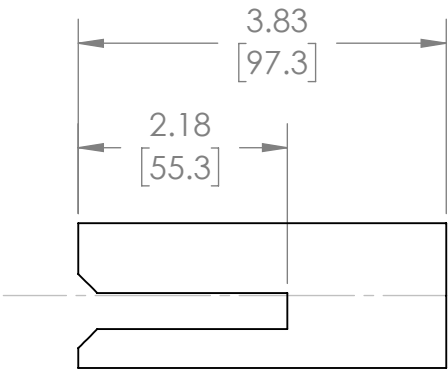
Manufacturer	BRAH Electric
Sub-Category	Bus Plug Parts
Family	BD Series
Type	BOS
Type For	BOS , BES
Group	Parts & Accessories
OEM Manufacturer	Siemens
Amperage Min	400
Amperage Max	600

Warranty: All Products sold by BRAH Electric are guaranteed to be free of defect for a period of two years, under the condition that the product has been installed and operated properly. All items proven defective within the one year period will be replaced by BRAH Electric. In the event that we cannot provide a direct replacement, your monies will be refunded in full. We are not responsible for any consequential losses or damages outside of the defective product as well as any replacements or repairs performed by another party without our written authorization from BRAH Electric.

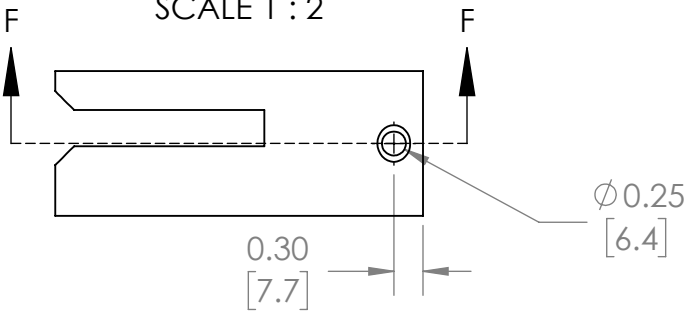
REVISIONS				
ZONE	REV.	DESCRIPTION	DATE	APPROVED



ISO VIEW



SECTION F-F
SCALE 1 : 2



WWW.BRAHELECTRIC.COM, 855-355-2724

*NOTE: BRAH ELECTRIC BUS PLUG ACCESORIES BOSSTABINS2H, SUITABLE FOR USE WITH SIEMENS, BD SERIES TYPE BOS BUS PLUGS AT 400 AMP TO 200 AMP 600V.

<p>THIRD ANGLE PROJECTION</p>	<p>UNLESS OTHERWISE NOTED</p> <p>ALL DIMENSIONS ARE IN INCHES METRIC UNITS ARE DISPLAYED BENEATH IN [MM.]</p>	
	<p>PROPRIETARY AND CONFIDENTIAL</p> <p>THE INFORMATION CONTAINED IN THIS DRAWING IS THE SOLE PROPERTY OF BRAH ELECTRIC. ANY REPRODUCTION IN PART OR AS A WHOLE WITHOUT THE WRITTEN PERMISSION OF BRAH ELECTRIC IS PROHIBITED.</p>	
<p>MATERIAL</p>	<p>FINISH</p> <p>Light Grey</p>	<p>SIZE A DWG. NO. BOSSTABINS2H REV. A</p>
<p>DO NOT SCALE DRAWING</p>	<p>SCALE: 1:1</p>	<p>WEIGHT: 3.2 LBS SHEET 1 OF 1</p>