



CONTACT US @ 855-355-2724

E-Mail: [Sales@brahelectric.com](mailto:Sales@brahelectric.com)

[www.Brahelectric.com](http://www.Brahelectric.com)

## PRODUCT DATA SHEET

---



### Bus Plugs

Picture is for reference only,  
Actual Kit may vary slightly

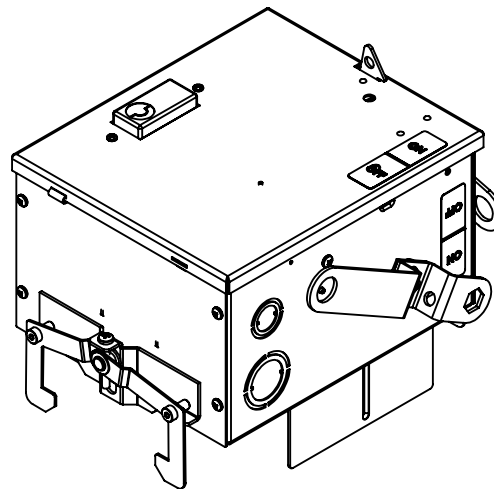
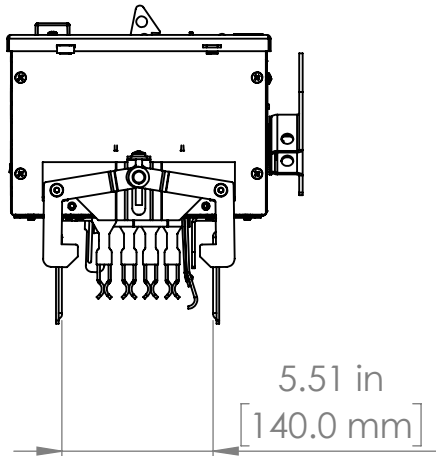
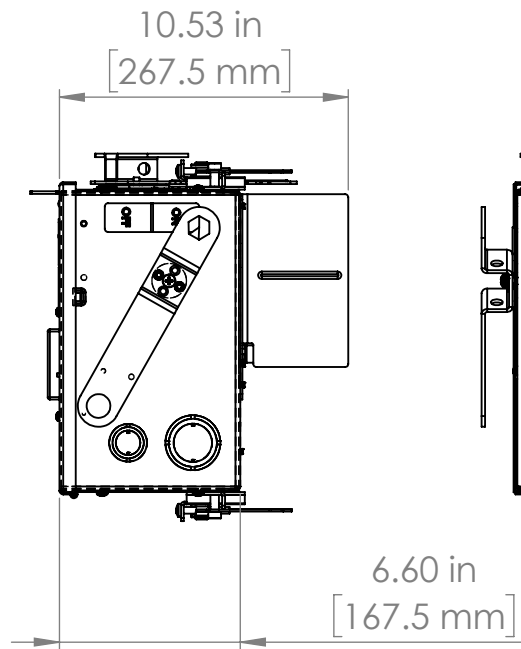
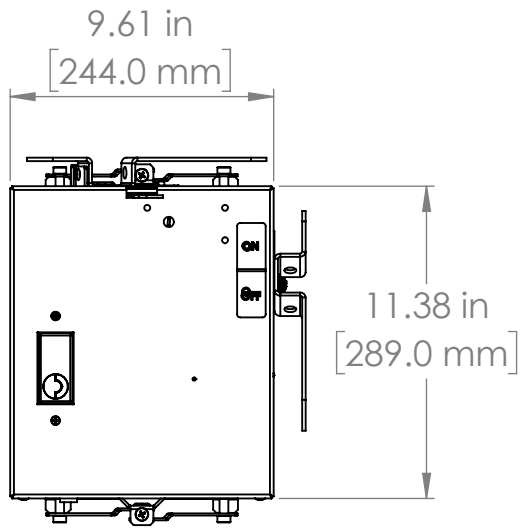
### **PART NUMBER – BRV3203N:**

BRAH Electric aftermarket RV421, 30 amp, 240 volt, 3 phase, 4 wire, fusible style bus plug, type BRV / RV, suitable for use with OEM ITE / Siemens XL-X Series industrial busway systems, accepts Class R, H and K fuse types, direct substitute, fit and function for ITE OEM RV421, RV421R

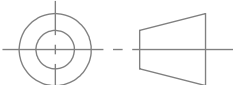

### **PRODUCT SPECIFICATIONS**

Manufacturer	BRAH Electric
Sub-Category	Fusible
Family	XL-X Series
Type	RV, BRV
Wire	4
Voltage	240
Amperage	30
Suit Fuse	R, H, K
A/C Rating	200ka@240V
Phase	3

**Warranty:** All Products sold by BRAH Electric are guaranteed to be free of defect for a period of two years, under the condition that the product has been installed and operated properly. All items proven defective within the one year period will be replaced by BRAH Electric. In the event that we cannot provide a direct replacement, your monies will be refunded in full. We are not responsible for any consequential losses or damages outside of the defective product as well as any replacements or repairs performed by another party without our written authorization from BRAH Electric.



\* NOTE: BRAH Electric aftermarket direct RV421, 30amp, 240volt, 3 phase, 4 wire, fusible style bus plug, type BRV/RV, Suitable for use with OEM ITE/ siemens XL-X series industrial Busway System.

 THIRD ANGLE PROJECTION	UNLESS OTHERWISE NOTED ALL DIMENSIONS ARE IN INCHES METRIC UNITS ARE DISPLAYED BENEATH IN [ MM. ]		  <b>FUSIBLE BUS BLUGS</b>		
	<b>PROPRIETARY AND CONFIDENTIAL</b> THE INFORMATION CONTAINED IN THIS DRAWING IS THE SOLE PROPERTY OF BRAH ELECTRIC. ANY REPRODUCTION IN PART OR AS A WHOLE WITHOUT THE WRITTEN PERMISSION OF BRAH ELECTRIC IS PROHIBITED.				MATERIAL
	FINISH N/A	DO NOT SCALE DRAWING	SIZE <b>A</b>	DWG. NO. <b>BRV3203N</b>	REV. <b>A</b>
			SCALE:1:10	WEIGHT:	SHEET 1 OF 1