



CONTACT US @ 855-355-2724

E-Mail: Sales@brahelectric.com

www.Brahelectric.com

PRODUCT DATA SHEET



PART NUMBER –BWCK63:

BRAH Electric, Advantage substitute contact kit, 3 pole kit, suitable for use with W200M6 magnetic contactor & motor starters, NEMA size 6, rated for 540A 600V Maximum.

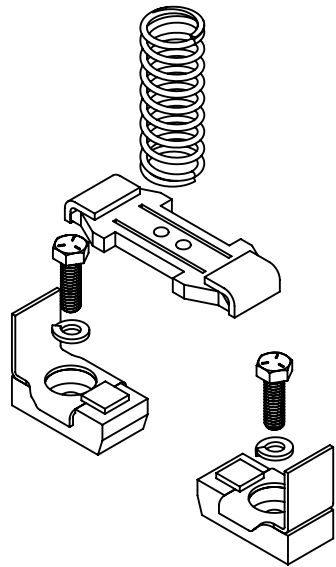
Contact kit Accessories
Picture is for reference only,
Actual Kit may vary slightly

PRODUCT SPECIFICATIONS

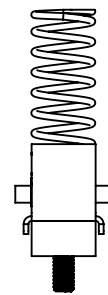
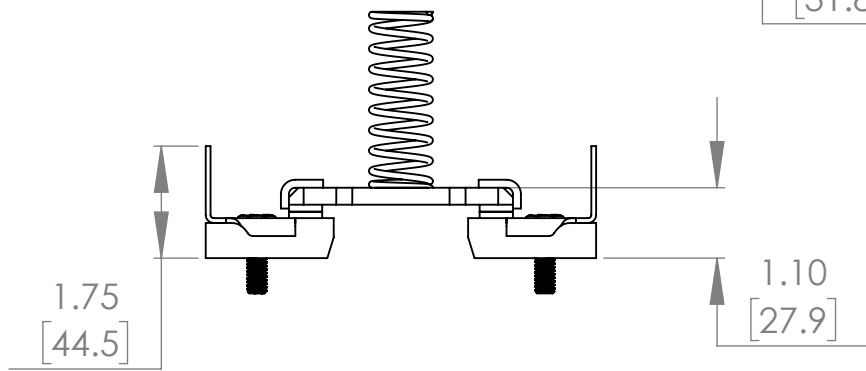
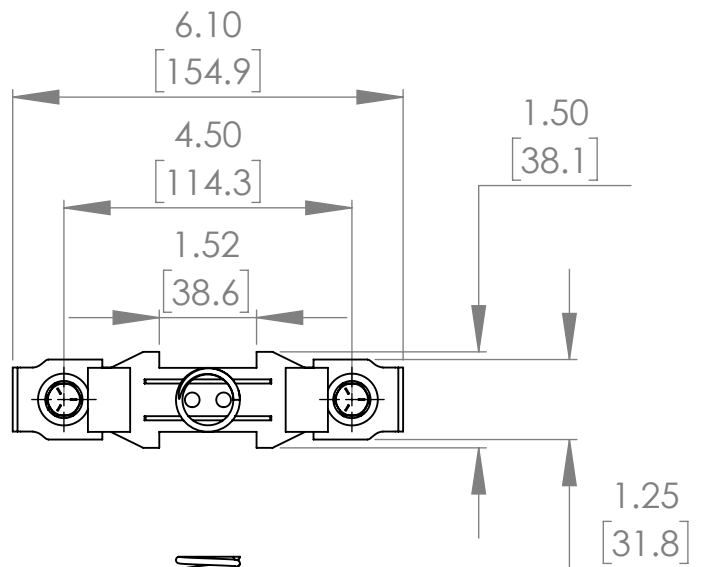
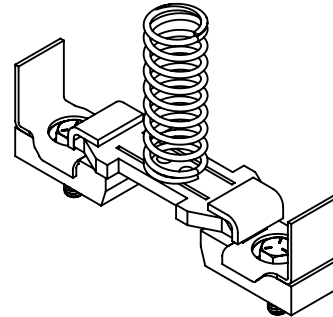
Manufacturer	BRAH Electric
Sub-Category	Contact Kit
Family	Advantage
Type	WCK
Voltage	600
Amperage	540
Suitable for	W200M6

Warranty: All Products sold by BRAH Electric are guaranteed to be free of defect for a period of two years, under the condition that the product has been installed and operated properly. All items proven defective within the one year period will be replaced by BRAH Electric. In the event that we cannot provide a direct replacement, your monies will be refunded in full. We are not responsible for any consequential losses or damages outside of the defective product as well as any replacements or repairs performed by another party without our written authorization from BRAH Electric.

REVISIONS				
ZONE	REV.	DESCRIPTION	DATE	APPROVED

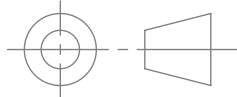



EXPLODED VIEW



WWW.BRAHELECTRIC.COM, 855-355-2724

* NOTE: BRAH Electric, direct replacement contact kits for Cutler Hammer, Advantage Series, type BWCK, 3 pole kit, suitable for use with W200M6 magnetic contactors & motor starters, NEMA size 6, rated for 540A, 600V maximum

 THIRD ANGLE PROJECTION	UNLESS OTHERWISE NOTED ALL DIMENSIONS ARE IN INCHES METRIC UNITS ARE DISPLAYED BENEATH IN [MM.]	 BRAH Electric <small>Wig</small>
	PROPRIETARY AND CONFIDENTIAL THE INFORMATION CONTAINED IN THIS DRAWING IS THE SOLE PROPERTY OF BRAH ELECTRIC. ANY REPRODUCTION IN PART OR AS A WHOLE WITHOUT THE WRITTEN PERMISSION OF BRAH ELECTRIC IS PROHIBITED.	
MATERIAL N/A FINISH N/A DO NOT SCALE DRAWING	SIZE A DWG. NO. BWCK63 REV. A	SCALE: 1:3 WEIGHT: 3.2 LBS SHEET 1 OF 1