



CONTACT US @ 855-355-2724

E-Mail: Sales@brahelectric.com

www.Brahelectric.com

PRODUCT DATA SHEET



Parts and Accessories
Picture is for reference only,
Actual Kit may vary slightly

PART NUMBER-CJ2L:

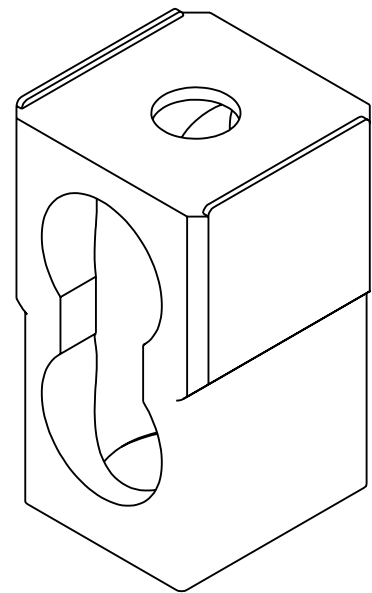
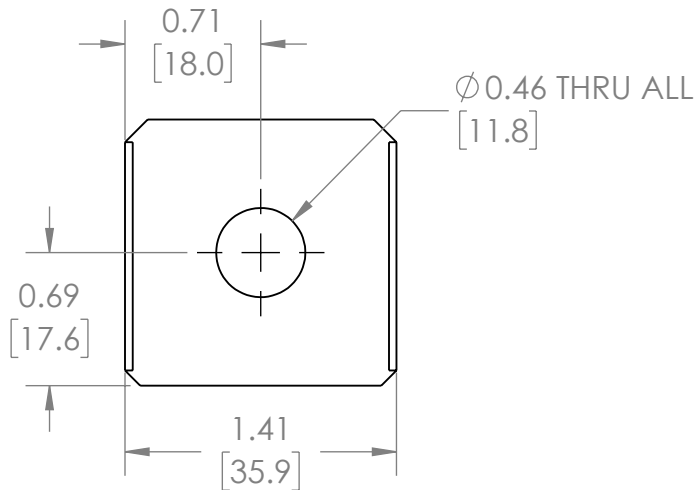
BRAH Electric, direct replacement, aftermarket lug terminal kit for Merlin Gerin Compact CJ family of circuit breakers, (sold in set of 3 lugs per CJ2L kit) , 600Amp, aluminum, 2 barrel, #2/0 AWG (70mm) to 500 kcmil (240mm) Cu or #2/0 AWG (70mm) to 350 kcmil (185mm) Cu or #4/0 AWG (95mm) to 500 kcmil (240mm), field install in CJ, CJNF, CJNL, CJHF, CJHL, CJIF, CJIL, CJAF, CJAL, CJAEF, CJAEL, CJHEF, CJHEL frame molded case breakers.

PRODUCT SPECIFICATIONS

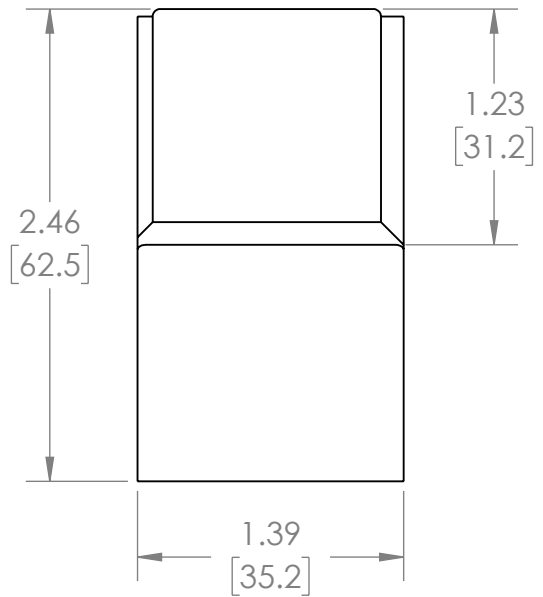
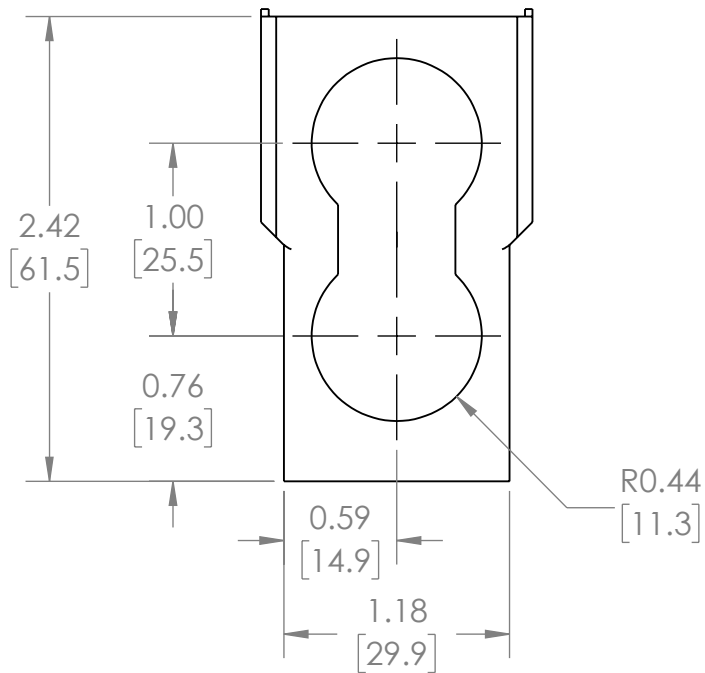
Manufacturer	BRAH Electric
Sub-Category	Parts & Acc: Lug Terminal Kits
Family	Compact
Type	CK
MCM Size	500
Suit Frame	C, CK, CKAX, CKAE, CKHX, CKHE, CKIX, CKAJ, CKAL
Barrels	4
Metal Type	Aluminum

Warranty: All Products sold by BRAH Electric are guaranteed to be free of defect for a period of two years, under the condition that the product has been installed and operated properly. All items proven defective within the one year period will be replaced by BRAH Electric. In the event that we cannot provide a direct replacement, your monies will be refunded in full. We are not responsible for any consequential losses or damages outside of the defective product as well as any replacements or repairs performed by another party without our written authorization from BRAH Electric.

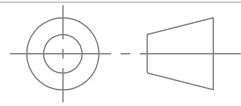
REVISIONS				
ZONE	REV.	DESCRIPTION	DATE	APPROVED



ISO VIEW



***NOTE: BRAH ELECTRIC BUS PLUG ACCESORIES CJ2L IS AN AFTERMARKET DIRECT REPLACEMENT FOR MERLIN GERIN, COMPACT, CJ, IUG TERMINALS KITS.SUITABLE FOR USE WITH CJ SERIES MOTOR CONTROL SYSTEMS**



THIRD ANGLE PROJECTION

PROPRIETARY AND CONFIDENTIAL

THE INFORMATION CONTAINED IN THIS DRAWING IS THE SOLE PROPERTY OF BRAH ELECTRIC. ANY REPRODUCTION IN PART OR AS A WHOLE WITHOUT THE WRITTEN PERMISSION OF BRAH ELECTRIC IS PROHIBITED.

UNLESS OTHERWISE NOTED

ALL DIMENSIONS ARE IN INCHES
METRIC UNITS ARE DISPLAYED
BENEATH IN [MM.]

MATERIAL

-

FINISH

N/A

DO NOT SCALE DRAWING



BUS PLUG ACCESORIES

SIZE DWG. NO.

A

CJ2L

REV.

A

SCALE:1:1

WEIGHT: 3.2 LBS

SHEET 1 OF 1