



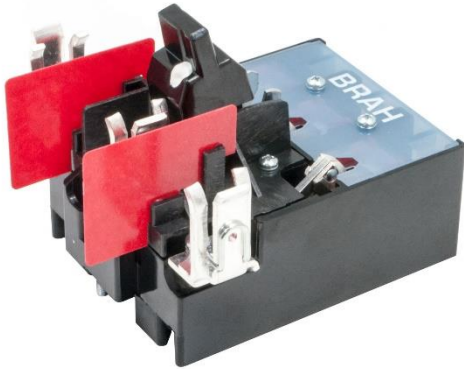
CONTACT US

855.355.2724

Email - sales@brahelectric.com

www.brahelectric.com

PRODUCT DATA SHEET



FCS610 - Floating Contact Switch

Internal operating switch, floating contact design, rated 100 Amp 600 volt max, UL Recognized by BRAH Electric Mfg, heavy duty performance, designed specifically for use with all OEM General Electric MCC buckets, disconnects, QMR and THFP fusible switches and fusible bus plugs, substitute for OEM General Electric MR-100 switch, engineered to operate on both 240 volt and 600 volt systems, 3 phase, 600 volt, 100 amp maximum



UL 98A Recognized component

File #: E503971

Product Specifications

Description	Specs
Max Volts	600V
Continuous Current	100A
No. of Phases	3
No. of Poles	3,4
Frequency	60HZ
Max HP	75 HP

Mechanical Data:

Over center Spring actuated Switch

Type: Floating Contact Design, US patent # 10,141,125 B2

Installation requires removal of Clear Cover

NOTE: The BRAH Floating Contact switch is sold in other configurations please see additional options below.

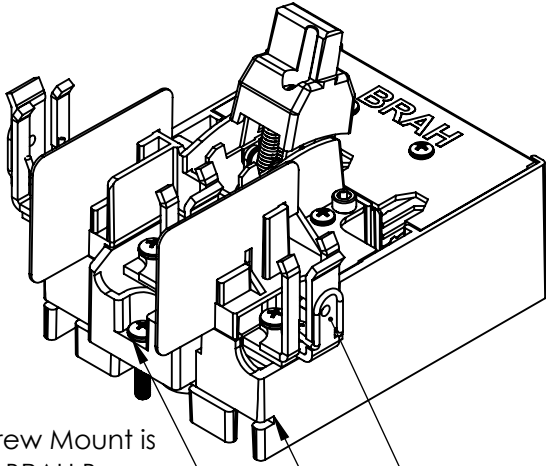
Other Configurations include:

BRAH Part #	GE, OEM part #	VOLTAGE	AMPS	Horse Power
FCS203	MR-30	240V	30A	7.5 HP
FCS603	MR-30	600V	30A	20 HP
FCS206	MR-60	240V	60A	15 HP
FCS606	MR-60	600V	60A	50 HP
FCS210	MR-100	240V	100A	30 HP
FCS610	MR-100	600V	100A	75 HP

Warranty: All Products sold by BRAH Electric are guaranteed to be free of defect for a period of two years, under the condition that the product has been installed and operated properly. All items proven defective within the two-year period will be replaced by BRAH Electric. We are not responsible for any consequential losses or damages outside of defective product as well as any replacements or repairs performed by another party without a written authorization from BRAH Electric.

PRODUCT DIMENSIONS

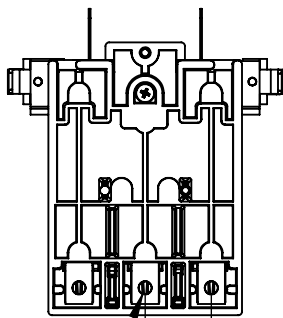
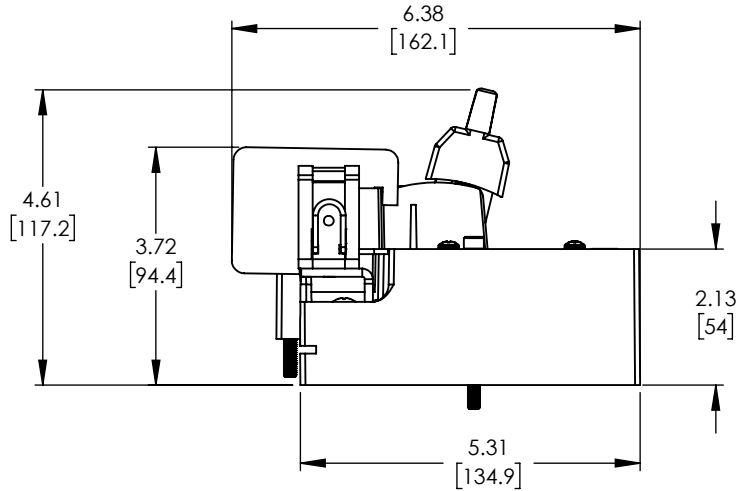
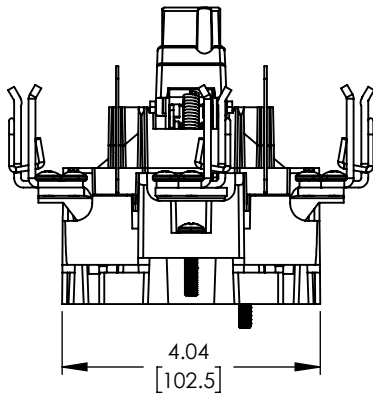
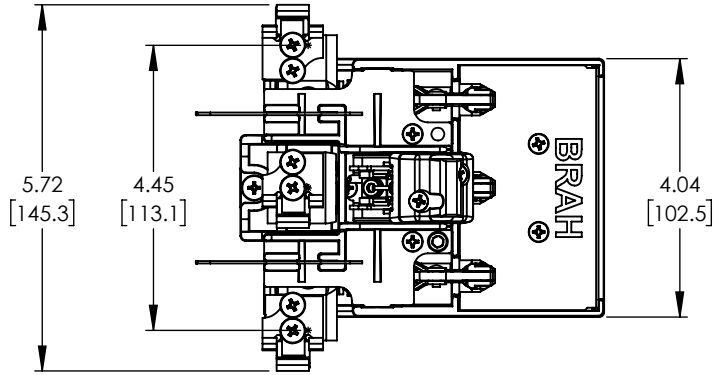
REVISIONS				
ZONE	REV.	DESCRIPTION	DATE	APPROVED



Screw Mount is for BRAH Bus Plugs Only

Slot for OEM replacement installation

Note: Image is shown with 100A fuses.



3x $\varnothing 0.28$ [7] Mounting Holes
1.38 [35]

* NOTE: BRAH Electric Mfg, heavy duty performance, designed specifically for use with all OEM General Electric MCC buckets, disconnects, QMR and THFP fusible switches and fusible bus plugs, substitute for OEM General Electric MR-100 switch, engineered to operate on 600 volt systems, 3 phase, 100A, 600V maximum

 THIRD ANGLE PROJECTION	UNLESS OTHERWISE NOTED ALL DIMENSIONS ARE IN INCHES METRIC UNITS ARE DISPLAYED BENEATH IN [MM.]			
	PROPRIETARY AND CONFIDENTIAL THE INFORMATION CONTAINED IN THIS DRAWING IS THE SOLE PROPERTY OF BRAH ELECTRIC. ANY REPRODUCTION IN PART OR AS A WHOLE WITHOUT THE WRITTEN PERMISSION OF BRAH ELECTRIC IS PROHIBITED.	MATERIAL MOLDED PLASTIC CASE	Floating Contact Switch, 100Amp	
FINISH DO NOT SCALE DRAWING	SIZE A DWG. NO. FCS610	SCALE: 1:4	WEIGHT:	REV. A SHEET 1 OF 1