



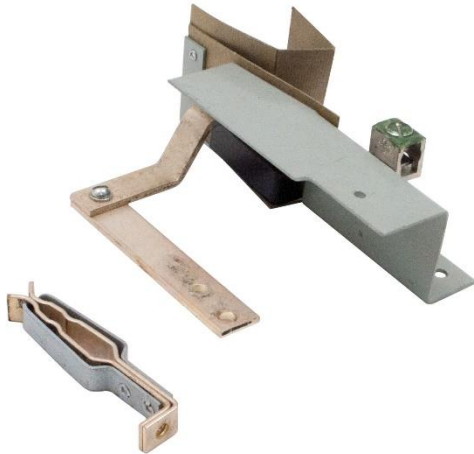
CONTACT US @ 855-355-2724

E-Mail: [Sales@brahelectric.com](mailto:Sales@brahelectric.com)

[www.Brahelectric.com](http://www.Brahelectric.com)

## PRODUCT DATA SHEET

---



### BUS PLUGS

Picture is for reference only,  
Actual Kit may vary slightly

### **PART NUMBER- FVK100N:**

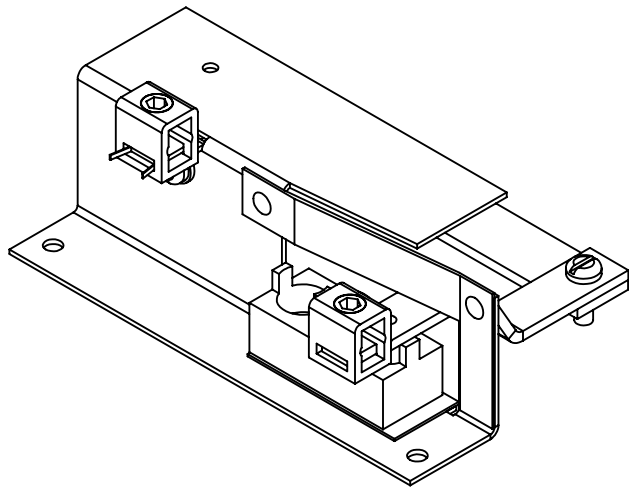
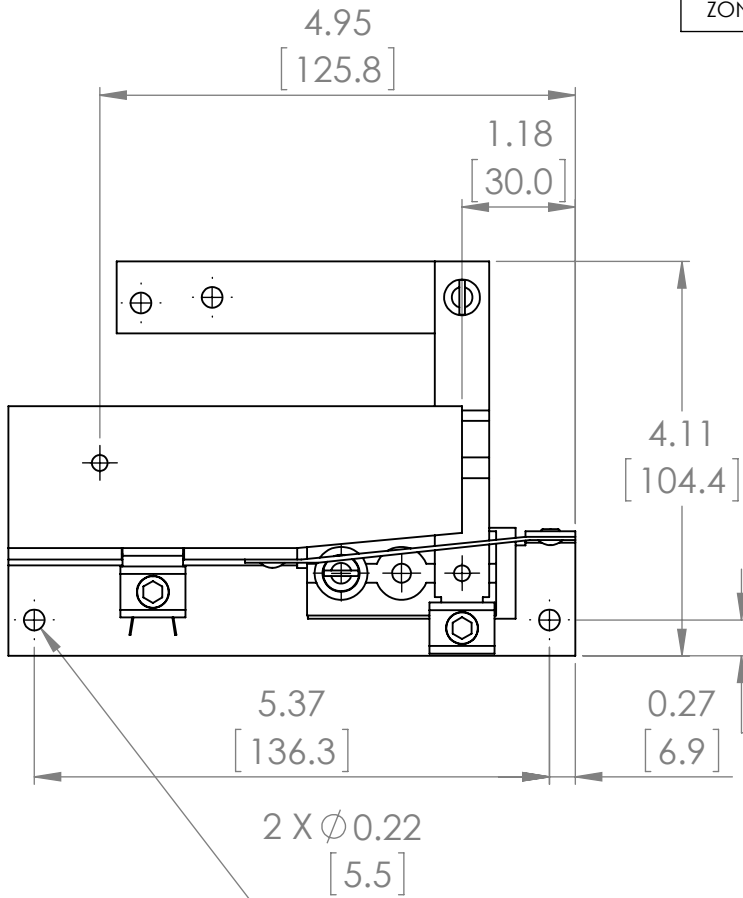
BRAH Electric bus plug neutral kit assembly, rated for 100 amp 600 volt maximum, neutral designed and engineered as substitute for OEM General Electric Flex-A-Plug type FVK fusible bus plugs, neutral kit for converting or adding 4th wire neutral to 3 phase bus plugs, for use with 30 amp, 60 amp and 100 amp bus plug sizes, specified for 240 volt and 600 volt bus plugs.

### **PRODUCT SPECIFICATIONS**

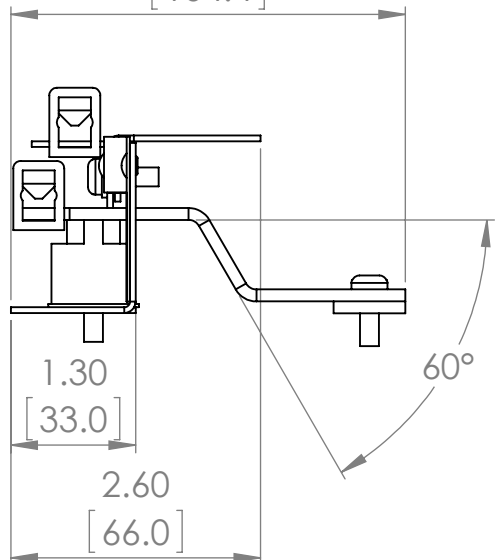
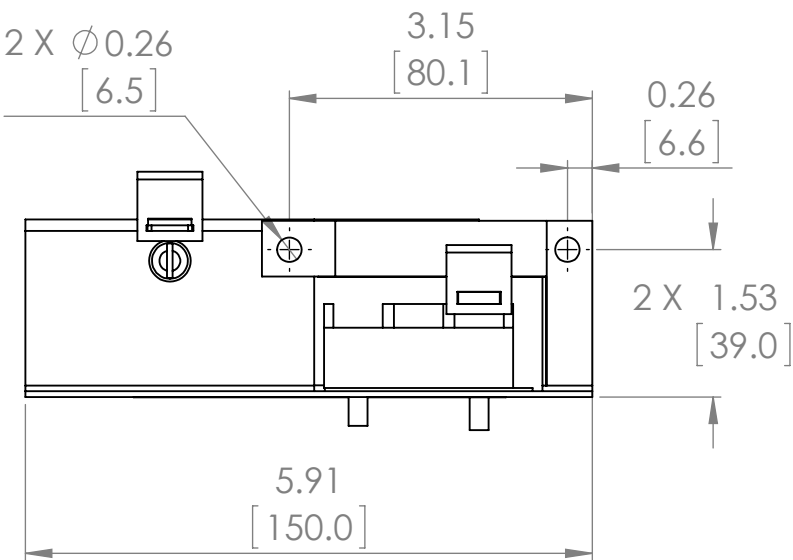
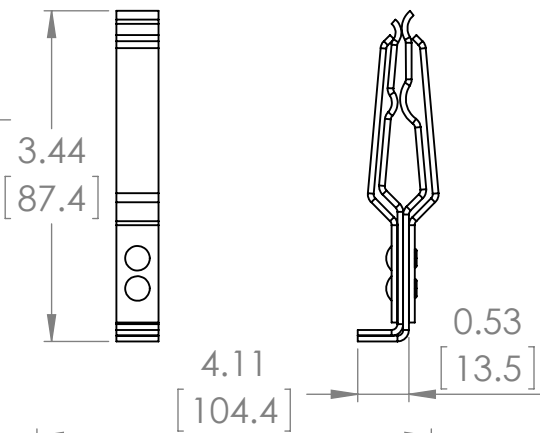
Manufacturer	BRAH Electric
Sub-Category	Neutral Kits
Family	Type FVK
Type	FVK
OEM Manufacturer	General Electric
Amperage Min	30
Amperage Max	100
Voltage Max	600

**Warranty:** All Products sold by BRAH Electric are guaranteed to be free of defect for a period of two years, under the condition that the product has been installed and operated properly. All items proven defective within the two-year period will be replaced by BRAH Electric. In the event that we cannot provide a direct replacement, your monies will be refunded in full. We are not responsible for any consequential losses or damages outside of the defective product as well as any replacements or repairs performed by another party without our written authorization from BRAH Electric.

REVISIONS				
ZONE	REV.	DESCRIPTION	DATE	APPROVED



ISO VIEW



[WWW.BRAHELECTRIC.COM](http://WWW.BRAHELECTRIC.COM), 855-355-2724

\* NOTE: BRAH ELECTRIC DIRECT REPLACEMENT NEUTRAL KIT ASSEMBLIES, TYPE FVK, 30A-100A, 600V, FUSIBLE TYPE FVK STYLE BUS PLUGS

THIRD ANGLE PROJECTION

**PROPRIETARY AND CONFIDENTIAL**

THE INFORMATION CONTAINED IN THIS DRAWING IS THE SOLE PROPERTY OF BRAH ELECTRIC. ANY REPRODUCTION IN PART OR AS A WHOLE WITHOUT THE WRITTEN PERMISSION OF BRAH ELECTRIC IS PROHIBITED.

UNLESS OTHERWISE NOTED

ALL DIMENSIONS ARE IN INCHES  
METRIC UNITS ARE DISPLAYED  
BENEATH IN [ MM. ]

MATERIAL	
FINISH	N/A
DO NOT SCALE DRAWING	

**NEUTRAL KITS**

SIZE	DWG. NO.	REV.
<b>A</b>	FVK100N	<b>A</b>
SCALE: 1:2	WEIGHT:	SHEET 1 OF 1