



CONTACT US @ 855-355-2724

E-Mail: Sales@brahelectric.com

www.Brahelectric.com

PRODUCT DATA SHEET



PART NUMBER – FVKSTABINS: General Electric, bus plug parts, Type FVK, 30-200A stab insulators, suitable for use with FVK bus plugs

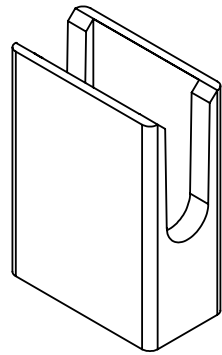
Bus Plug Accessories
PART NO. FVKSTABINS

PRODUCT SPECIFICATIONS

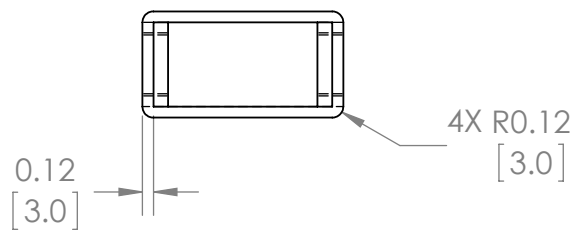
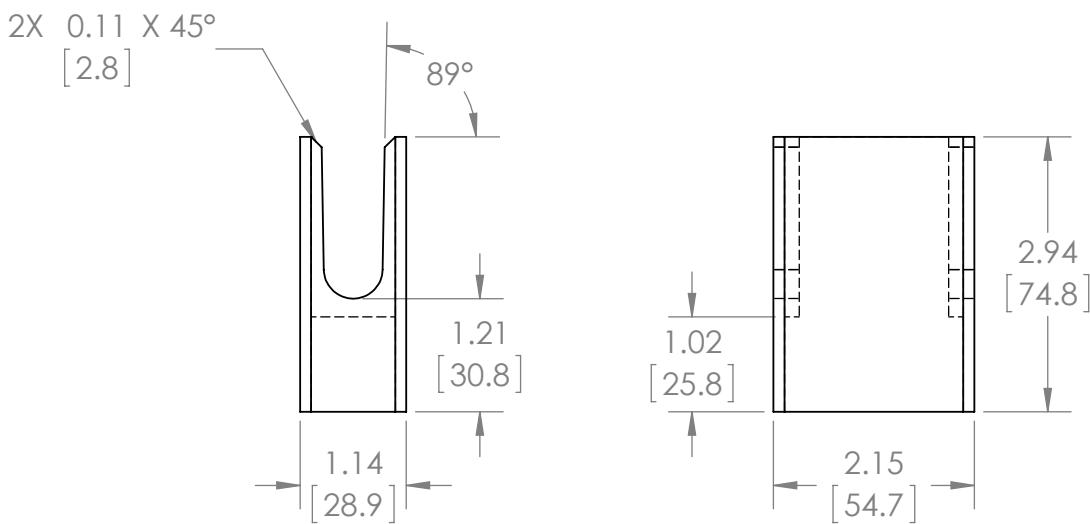
Manufacturer	General Electric
Sub-Category	Bus Plug Parts
Family	Type FVK
Type	FVK
Group	Bus Plug Parts
Type For	FVK

Warranty: All Products sold by BRAH Electric are guaranteed to be free of defect for a period of one year, under the condition that the product has been installed and operated properly. All items proven defective within the one year period will be replaced by BRAH Electric. In the event that we cannot provide a direct replacement, your monies will be refunded in full. We are not responsible for any consequential losses or damages outside of the defective product as well as any replacements or repairs performed by another party without our written authorization from BRAH Electric.

REVISIONS				
ZONE	REV.	DESCRIPTION	DATE	APPROVED



ISO VIEW



WWW.BRAHELECTRIC.COM, 855-355-2724

*NOTE: BRAH ELECTRIC BUS PLUG ACCESSORIES FVKSTABINS IS AN AFTERMARKET DIRECT REPLACEMENT FOR BUS PLUG PARTS, TYPE FVK, 30-200A STAB INSULATORS, SUITABLE FOR USE WITH FVK BUS PLUGS.

<p>THIRD ANGLE PROJECTION</p>	<p>UNLESS OTHERWISE NOTED ALL DIMENSIONS ARE IN INCHES METRIC UNITS ARE DISPLAYED BENEATH IN [MM.]</p>	
	<p>PROPRIETARY AND CONFIDENTIAL</p> <p>THE INFORMATION CONTAINED IN THIS DRAWING IS THE SOLE PROPERTY OF BRAH ELECTRIC. ANY REPRODUCTION IN PART OR AS A WHOLE WITHOUT THE WRITTEN PERMISSION OF BRAH ELECTRIC IS PROHIBITED.</p>	
<p>MATERIAL MOLDED PLASTIC CASE</p>	<p>FINISH N/A</p>	<p>SIZE DWG. NO. A FVKSTABINS</p>
<p>DO NOT SCALE DRAWING</p>	<p>SCALE: 1:2</p>	<p>WEIGHT: 3.2 LBS</p>
		<p>REV. A</p>
		<p>SHEET 1 OF 1</p>