



CONTACT US @ 855-355-2724

E-Mail: Sales@brahelectric.com

www.Brahelectric.com

PRODUCT DATA SHEET



BUS PLUGS

Picture is for reference only,
Actual Kit may vary slightly

PART NUMBER- FVKSTABINS4:

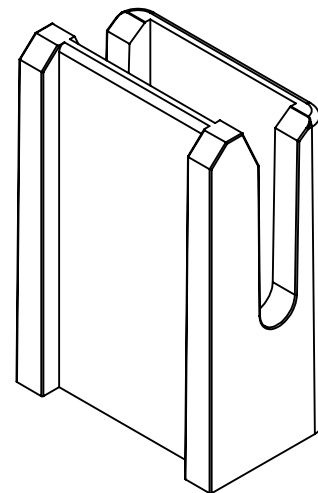
BRAH Electric direct replacement Parts & Accessories, specific to 4th wire neutral phase stabs only, suitable for use with neutral stab finger assemblies for General Electric type FVK models from 30 amp up to 800 amp, as well as BRAH Electric BEK bus plugs, designed for both fusible and breaker type models, substitute for OEM GE Industrial legacy Flex-A-Plug Series, type FVK bus plug applications from 30A up to 800A.

PRODUCT SPECIFICATIONS

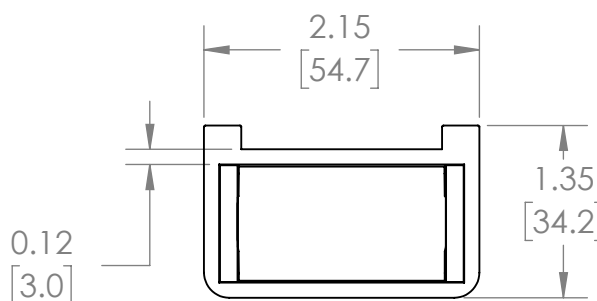
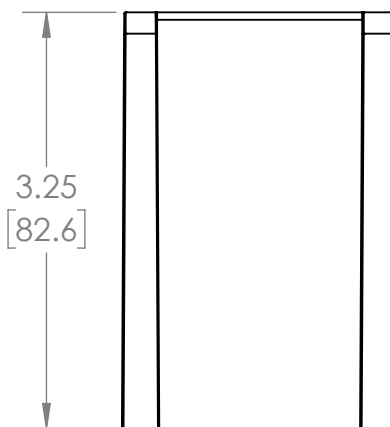
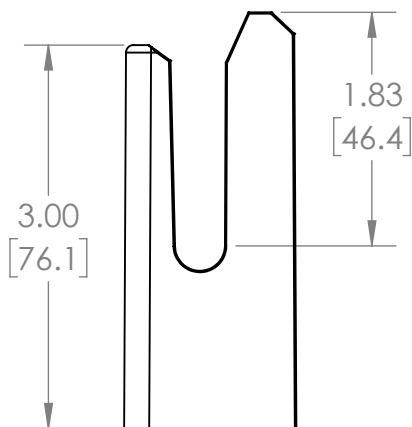
Manufacturer	BRAH Electric
Sub-Category	Bus Plug Parts
Family	Type FVK
Type	FVK
Type For	FVK , BEK
Group	Parts & Accessories
OEM Manufacturer	General Electric
Amperage Min	30
Amperage Max	800

Warranty: All Products sold by BRAH Electric are guaranteed to be free of defect for a period of two years, under the condition that the product has been installed and operated properly. All items proven defective within the one year period will be replaced by BRAH Electric. In the event that we cannot provide a direct replacement, your monies will be refunded in full. We are not responsible for any consequential losses or damages outside of the defective product as well as any replacements or repairs performed by another party without our written authorization from BRAH Electric.

REVISIONS				
ZONE	REV.	DESCRIPTION	DATE	APPROVED



ISO VIEW



WWW.BRAHELECTRIC.COM, 855-355-2724

*NOTE: BRAH ELECTRIC BUS PLUG ACCESORIES FVKSTABINS4 IS AN AFTERMARKET DIRECT REPLACEMENT FOR BUS PLUG PARTS,TYPE FVK,30A-800A STAB INSULATORS,SUITABLE FOR USE WITH FVK BUS PLUGS.

<p>THIRD ANGLE PROJECTION</p>	<p>UNLESS OTHERWISE NOTED</p> <p>ALL DIMENSIONS ARE IN INCHES METRIC UNITS ARE DISPLAYED BENEATH IN [MM.]</p>	
	<p>PROPRIETARY AND CONFIDENTIAL</p> <p>THE INFORMATION CONTAINED IN THIS DRAWING IS THE SOLE PROPERTY OF BRAH ELECTRIC. ANY REPRODUCTION IN PART OR AS A WHOLE WITHOUT THE WRITTEN PERMISSION OF BRAH ELECTRIC IS PROHIBITED.</p>	
<p>MATERIAL Molded Plastic, Bakelite</p>	<p>FINISH Black</p>	<p>SIZE A DWG. NO. FVKSTABINS4 REV. A</p>
<p>DO NOT SCALE DRAWING</p>	<p>SCALE:1:1</p>	<p>WEIGHT: 3.2 LBS SHEET 1 OF 1</p>