



CONTACT US @ 855-355-2724

E-Mail: [Sales@brahelectric.com](mailto:Sales@brahelectric.com)

[www.Brahelectric.com](http://www.Brahelectric.com)

## PRODUCT DATA SHEET

---



### BUS PLUGS

Picture is for reference only,  
Actual Kit may vary slightly

### **PART NUMBER- GE200A240V:**

BRAH Electric, set of 3 copper bus bar, for converting a Spectra 200Amp 600Volt GE AC, SB, SL plug to a 240Volt bus plug, this bus bar extensions kit will leave you ready for 240Volt power.

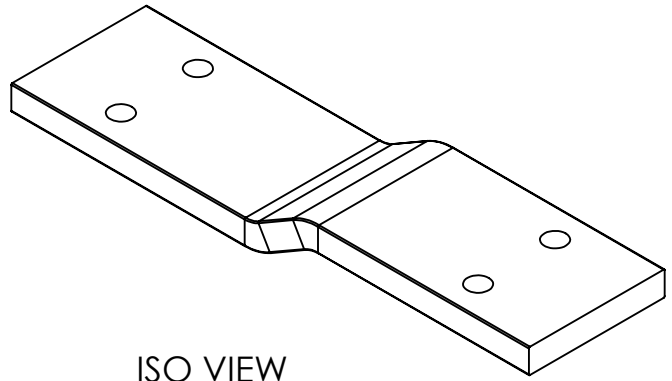
### **PRODUCT SPECIFICATIONS**

Manufacturer	BRAH Electric
Sub-Category	Conversion Kits
Family	Spectra
Type	GE
Group	Bus Plug Parts
OEM Manufacturer	General Electric
Amperage Min	200
Amperage Max	200
Voltage Max	600

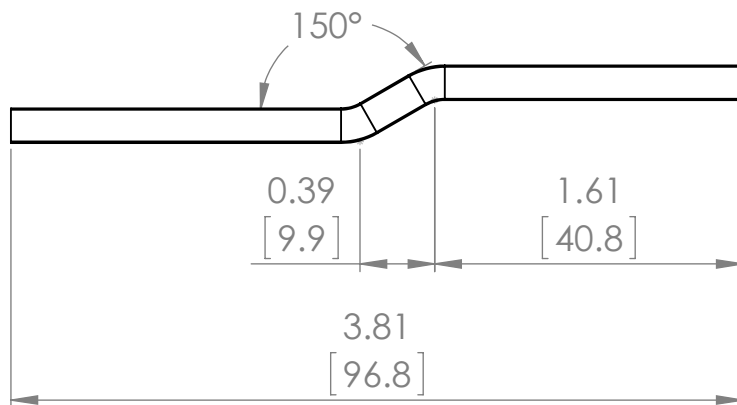
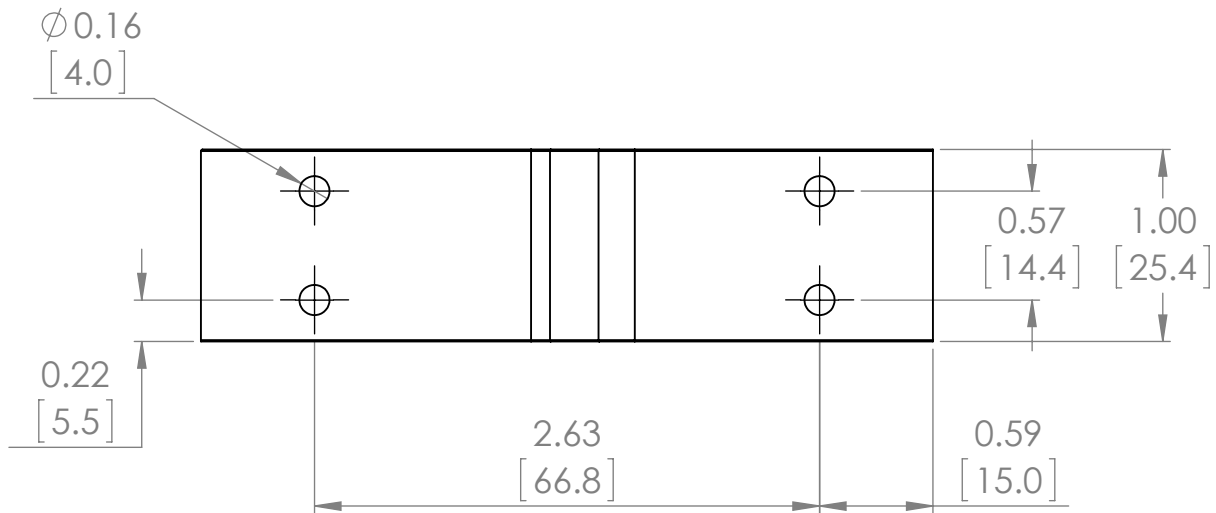
**Warranty:** All Products sold by BRAH Electric are guaranteed to be free of defect for a period of two years, under the condition that the product has been installed and operated properly. All items proven defective within the one year period will be replaced by BRAH Electric. In the event that we cannot provide a direct replacement, your monies will be refunded in full. We are not responsible for any consequential losses or damages outside of the defective product as well as any replacements or repairs performed by another party without our written authorization from BRAH Electric.

REVISIONS

ZONE	REV.	DESCRIPTION	DATE	APPROVED
------	------	-------------	------	----------



ISO VIEW



[WWW.BRAHELECTRIC.COM](http://WWW.BRAHELECTRIC.COM), 855-355-2724

\* NOTE: BRAH ELECTRIC SPECTRA, BUS PLUG PARTS, SET OF 3 COPPER BUS BAR, FOR CONVERTING A 200A 600V GE AC, SB, SL PLUG TO A 240V BUS PLUG

<p>THIRD ANGLE PROJECTION</p>	<p>UNLESS OTHERWISE NOTED</p> <p>ALL DIMENSIONS ARE IN INCHES METRIC UNITS ARE DISPLAYED BENEATH IN [ MM. ]</p>			
	<p><b>PROPRIETARY AND CONFIDENTIAL</b></p> <p>THE INFORMATION CONTAINED IN THIS DRAWING IS THE SOLE PROPERTY OF BRAH ELECTRIC. ANY REPRODUCTION IN PART OR AS A WHOLE WITHOUT THE WRITTEN PERMISSION OF BRAH ELECTRIC IS PROHIBITED.</p>			<p>MATERIAL</p>
<p>FINISH</p> <p>N/A</p>	<p>DO NOT SCALE DRAWING</p>	<p>SIZE <b>A</b></p>	<p>DWG. NO. <b>GE200A240V</b></p>	<p>REV. <b>A</b></p>
		<p>SCALE: 1:1</p>	<p>WEIGHT:</p>	<p>SHEET 1 OF 1</p>