



CONTACT US @ 855-355-2724

E-Mail: [Sales@brahelectric.com](mailto:Sales@brahelectric.com)

[www.Brahelectric.com](http://www.Brahelectric.com)

## PRODUCT DATA SHEET

---



**PART NUMBER – GEBPHANDLE2:** BRAH Electric, aftermarket direct replacement for General Electric, bus plug parts, operating handle assembly, rated for 400A - 1200A cans, suitable for use with AC, SB, SL, FVK breaker type and fusible bus plugs

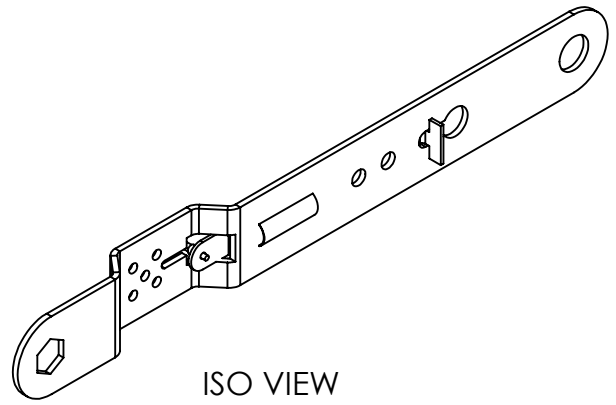
Bus Plug Accessories  
PART NO. GEBPHANDLE2

### **PRODUCT SPECIFICATIONS**

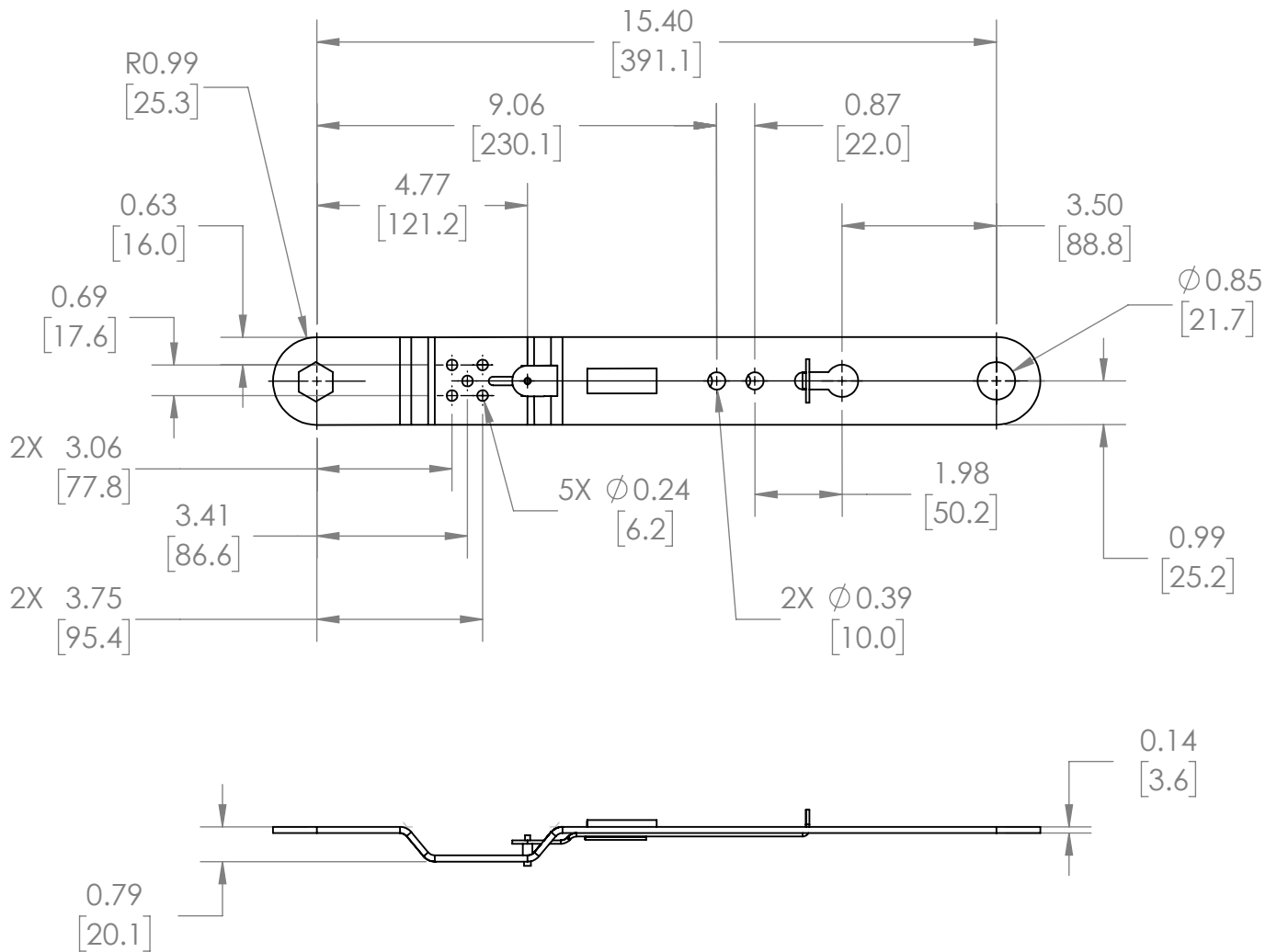
Manufacturer	BRAH Electric
Sub-Category	BUS Plug Parts
Family	BRAH-Bus Plugs
Type	GEBP
Group	Operating Handles
Type For	AC, SB, SL , FVK
AMPERAGE MIN	400A
AMPERAGE MAX	1200A

**Warranty:** All Products sold by BRAH Electric are guaranteed to be free of defect for a period of one year, under the condition that the product has been installed and operated properly. All items proven defective within the one year period will be replaced by BRAH Electric. In the event that we cannot provide a direct replacement, your monies will be refunded in full. We are not responsible for any consequential losses or damages outside of the defective product as well as any replacements or repairs performed by another party without our written authorization from BRAH Electric.

REVISIONS				
ZONE	REV.	DESCRIPTION	DATE	APPROVED

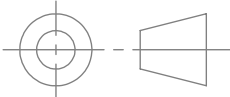



ISO VIEW



[WWW.BRAHELECTRIC.COM](http://WWW.BRAHELECTRIC.COM), 855-355-2724

\*NOTE: BRAH ELECTRIC BUS PLUG ACCESSORIES GEBPHANDLE IS AN AFTERMARKET DIRECT REPLACEMENT, SUITABLE FOR USE WITH AC, SB, SL, FVK BREAKER TYPE AND FUSIBLE BUS PLUGS

 THIRD ANGLE PROJECTION	UNLESS OTHERWISE NOTED ALL DIMENSIONS ARE IN INCHES METRIC UNITS ARE DISPLAYED BENEATH IN [ MM. ]	
	<b>PROPRIETARY AND CONFIDENTIAL</b> THE INFORMATION CONTAINED IN THIS DRAWING IS THE SOLE PROPERTY OF BRAH ELECTRIC. ANY REPRODUCTION IN PART OR AS A WHOLE WITHOUT THE WRITTEN PERMISSION OF BRAH ELECTRIC IS PROHIBITED.	
MATERIAL -	FINISH N/A	SIZE <b>A</b> DWG. NO. <b>GEBPHANDLE 2</b> REV. <b>A</b>
DO NOT SCALE DRAWING	SCALE: 1:8	WEIGHT: 3.2 LBS SHEET 1 OF 1