



CONTACT US @ 855-355-2724

E-Mail: Sales@brahelectric.com

www.Brahelectric.com

PRODUCT DATA SHEET



BUS PLUGS

Picture is for reference only,
Actual Kit may vary slightly

PART NUMBER- GETAB:

BRAH Electric aftermarket conversion kit for General Electric, Armor Clad Series, 600Volt max, for use with 30Amp - 600Amp rated bus plugs, this conversion kit will convert Armor Clad style bus plugs with "bottom foot" into newer style fusible and circuit breaker style AC, SB, SL bus plugs.

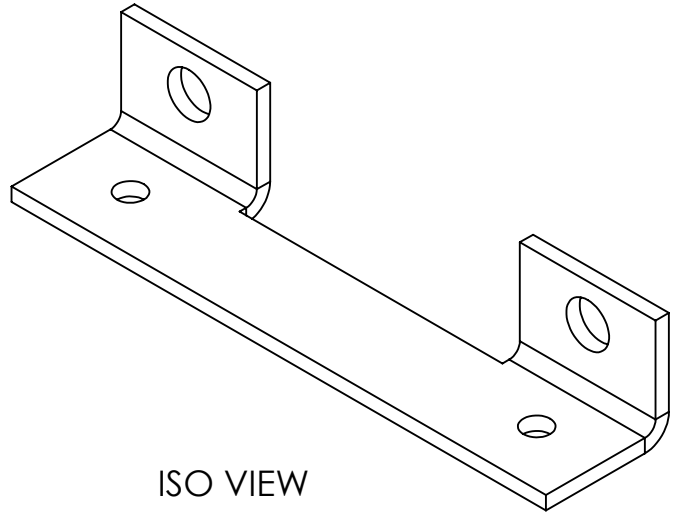
PRODUCT SPECIFICATIONS

Manufacturer	BRAH Electric
Sub-Category	Conversion Kits
Family	Armor Clad
Type	GE
Group	Bus Plug Parts
OEM Manufacturer	General Electric
Amperage Min	30
Amperage Max	600
Voltage Max	600

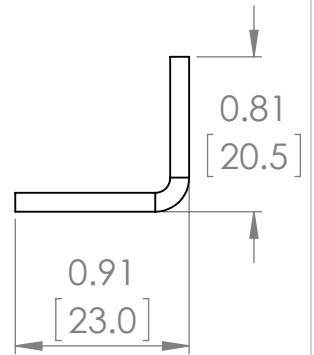
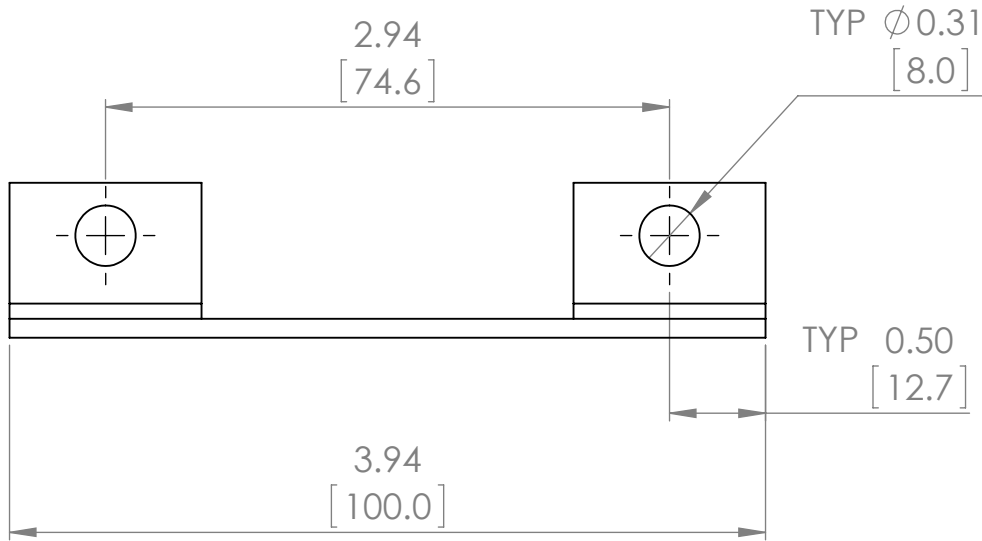
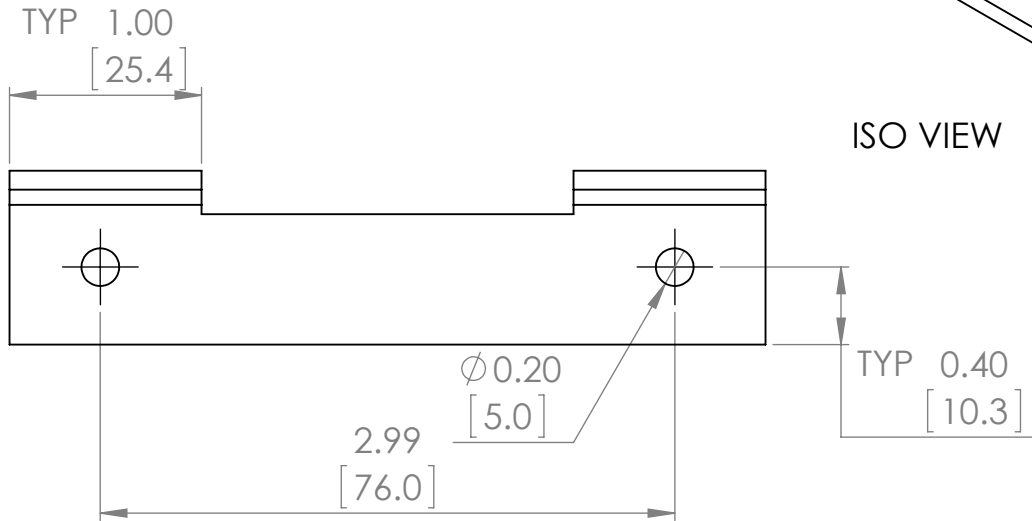
Warranty: All Products sold by BRAH Electric are guaranteed to be free of defect for a period of two years, under the condition that the product has been installed and operated properly. All items proven defective within the one year period will be replaced by BRAH Electric. In the event that we cannot provide a direct replacement, your monies will be refunded in full. We are not responsible for any consequential losses or damages outside of the defective product as well as any replacements or repairs performed by another party without our written authorization from BRAH Electric.

REVISIONS

ZONE	REV.	DESCRIPTION	DATE	APPROVED
------	------	-------------	------	----------



ISO VIEW



WWW.BRAHELECTRIC.COM, 855-355-2724

* NOTE: BRAH ELECTRIC CONVERSION KITS ARE A DIRECT REPLACEMENT GENERAL ELECTRIC, ARMOR CLAD SERIES, 600V MAX, FOR USE WITH 30A-600A RATED BUS PLUGS

<p>THIRD ANGLE PROJECTION</p>	<p>UNLESS OTHERWISE NOTED ALL DIMENSIONS ARE IN INCHES METRIC UNITS ARE DISPLAYED BENEATH IN [MM.]</p>				
	<p>PROPRIETARY AND CONFIDENTIAL THE INFORMATION CONTAINED IN THIS DRAWING IS THE SOLE PROPERTY OF BRAH ELECTRIC. ANY REPRODUCTION IN PART OR AS A WHOLE WITHOUT THE WRITTEN PERMISSION OF BRAH ELECTRIC IS PROHIBITED.</p>				<p>NEUTRAL KITS</p>
MATERIAL	FINISH	DO NOT SCALE DRAWING	SIZE A	DWG. NO. GETAB	REV. A
			SCALE: 1:1	WEIGHT:	SHEET 1 OF 1