



CONTACT US @ 855-355-2724

E-Mail: [Sales@brahelectric.com](mailto:Sales@brahelectric.com)

[www.Brahelectric.com](http://www.Brahelectric.com)

## PRODUCT DATA SHEET

---



**PART NUMBER – ITAP100N:** BRAH Electric aftermarket direct replacement for Eaton/Cutler Hammer/Westinghouse, POW-R WAY I and II, neutral kits, neutrals assemblies, 30-100A, to be used with ITAP bus plugs

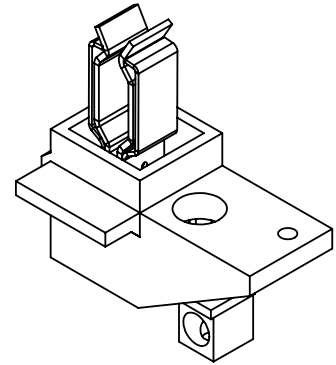
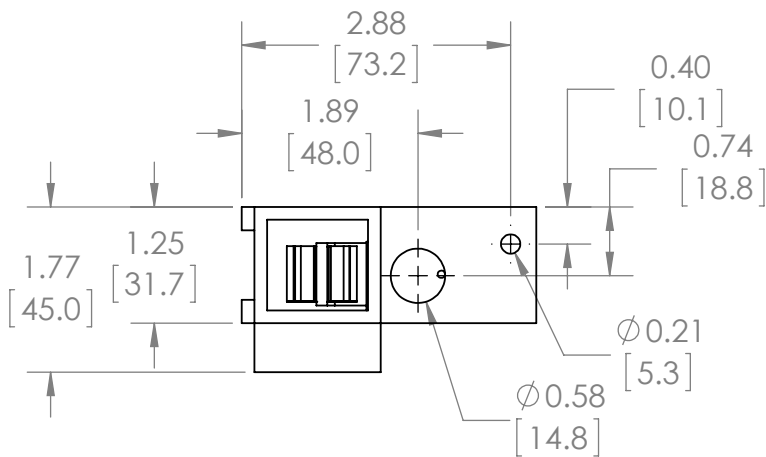
Bus Plug Accessories  
PART NO. ITAP100N

### **PRODUCT SPECIFICATIONS**

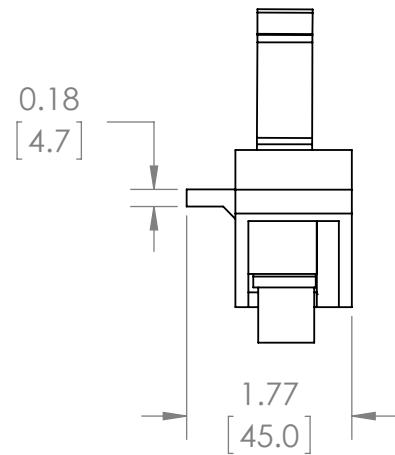
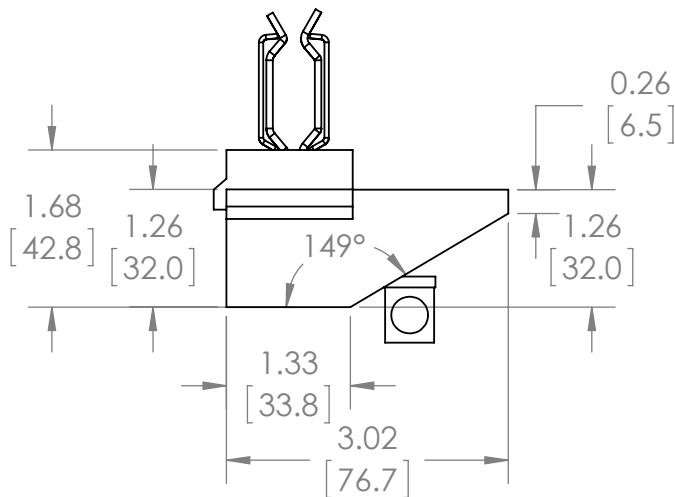
Manufacturer	BRAH Electric
Sub-Category	Neutral Kits
Family	POW-R WAY I AND II
Type	ITAP
BUS Plug For	ITAP
Voltage	600
Amperage	100

**Warranty:** All Products sold by BRAH Electric are guaranteed to be free of defect for a period of one year, under the condition that the product has been installed and operated properly. All items proven defective within the one year period will be replaced by BRAH Electric. In the event that we cannot provide a direct replacement, your monies will be refunded in full. We are not responsible for any consequential losses or damages outside of the defective product as well as any replacements or repairs performed by another party without our written authorization from BRAH Electric.

REVISIONS				
ZONE	REV.	DESCRIPTION	DATE	APPROVED



ISO VIEW



[WWW.BRAHELECTRIC.COM](http://WWW.BRAHELECTRIC.COM), 855-355-2724

\*NOTE: BRAH ELECTRIC BUS PLUG ACCESORIES ITAP100N IS AN AFTERMARKET DIRECT REPLACMENT FOR EATON/CUTLER HAMMER/WESTINGHOUSE, POW-R WAY I AND II, NEUTRAL KITS, NEUTRALS ASSEMBLIES, 30-100A, TO BE USED WITH ITAP BUS PLUGS

<p>THIRD ANGLE PROJECTION</p>	<p>UNLESS OTHERWISE NOTED</p> <p>ALL DIMENSIONS ARE IN INCHES METRIC UNITS ARE DISPLAYED BENEATH IN [ MM. ]</p>	<p><b>BRAH</b> Electric</p>
	<p><b>PROPRIETARY AND CONFIDENTIAL</b></p> <p>THE INFORMATION CONTAINED IN THIS DRAWING IS THE SOLE PROPERTY OF BRAH ELECTRIC. ANY REPRODUCTION IN PART OR AS A WHOLE WITHOUT THE WRITTEN PERMISSION OF BRAH ELECTRIC IS PROHIBITED.</p>	
<p>MATERIAL MOLDED PLASTIC CASE</p> <p>FINISH N/A</p> <p>DO NOT SCALE DRAWING</p>	<p>SIZE <b>A</b> DWG. NO. ITAP100N</p> <p>SCALE: 1:2 WEIGHT: 3.2 LBS SHEET 1 OF 1</p>	<p>REV. <b>A</b></p>