



CONTACT US @ 855-355-2724

E-Mail: Sales@brahelectric.com

www.Brahelectric.com

PRODUCT DATA SHEET



PART NUMBER – ITAP200N: BRAH Electric aftermarket direct replacement for Westinghouse/ Cutler Hammer, neutral kits, type PWN, rated for for 200A, 600V maximum, suitable for use with POW-R-WAY I & II series ITAP fusible style bus plugs and busway systems

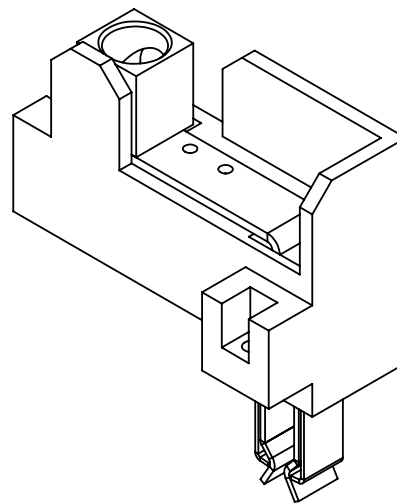
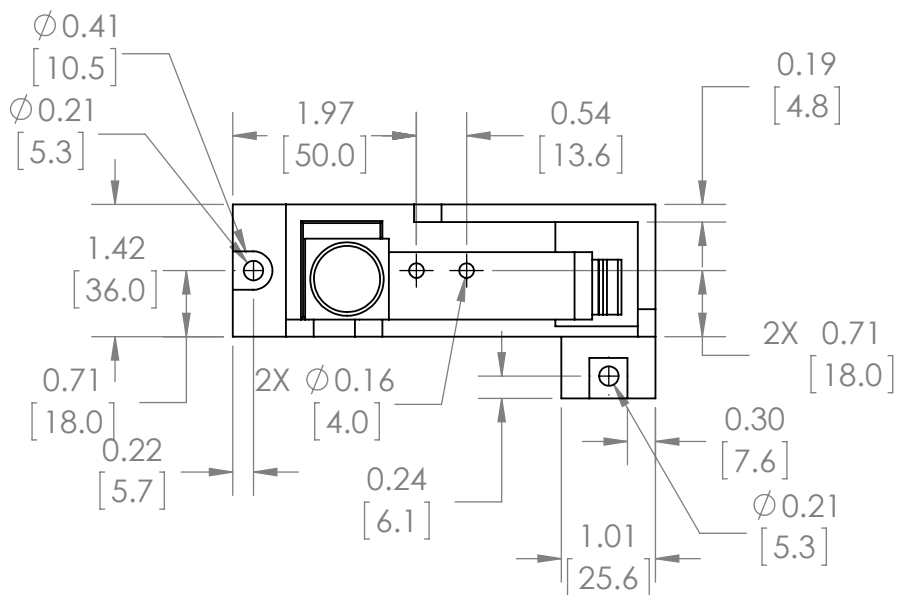
Bus Plug Accessories
PART NO. ITAP200N

PRODUCT SPECIFICATIONS

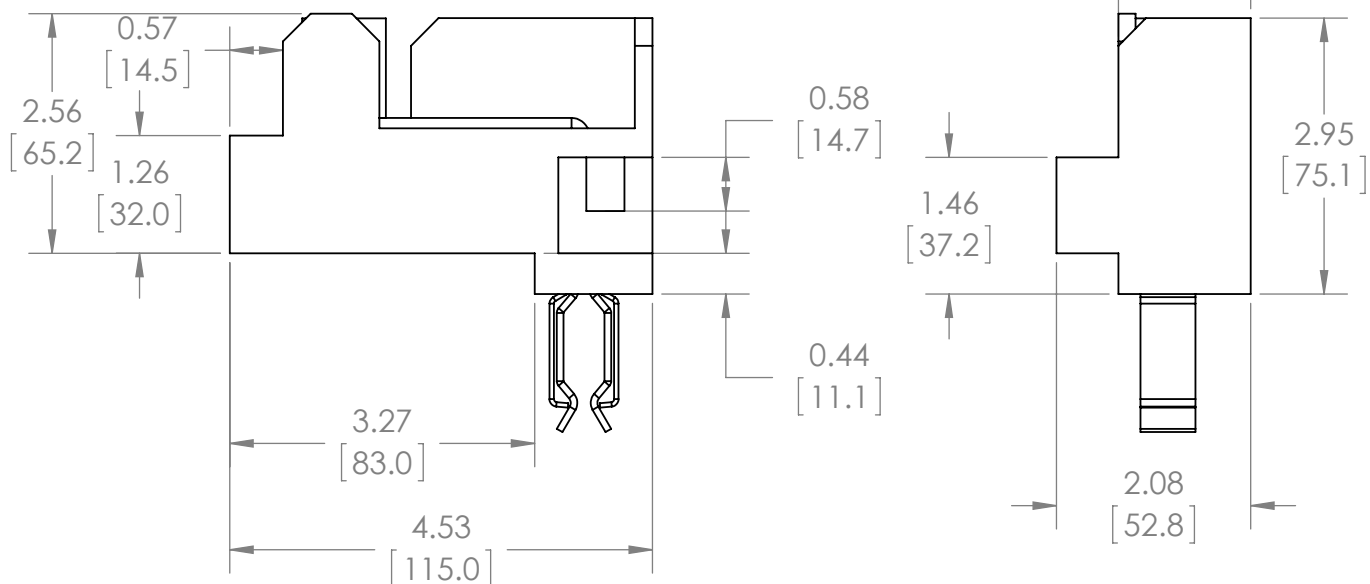
Manufacturer	BRAH Electric
Sub-Category	Neutral Kits
Family	ITAP
Type	PWN
BUS Plug For	ITAP
Voltage	600
Amperage	200

Warranty: All Products sold by BRAH Electric are guaranteed to be free of defect for a period of one year, under the condition that the product has been installed and operated properly. All items proven defective within the one year period will be replaced by BRAH Electric. In the event that we cannot provide a direct replacement, your monies will be refunded in full. We are not responsible for any consequential losses or damages outside of the defective product as well as any replacements or repairs performed by another party without our written authorization from BRAH Electric.

REVISIONS				
ZONE	REV.	DESCRIPTION	DATE	APPROVED



ISO VIEW



WWW.BRAHELECTRIC.COM, 855-355-2724

*NOTE: BRAH ELECTRIC BUS PLUG ACCESORIES ITAP200N IS AN AFTERMARKET DIRECT REPLACEMENT FOR SUITABLE FOR USE WITH POW-R-WAY I & II SERIES ITAP FUSIBLE STYLE BUS PLUGS AND BUSWAY SYSTEMS

THIRD ANGLE PROJECTION

PROPRIETARY AND CONFIDENTIAL

THE INFORMATION CONTAINED IN THIS DRAWING IS THE SOLE PROPERTY OF BRAH ELECTRIC. ANY REPRODUCTION IN PART OR AS A WHOLE WITHOUT THE WRITTEN PERMISSION OF BRAH ELECTRIC IS PROHIBITED.

UNLESS OTHERWISE NOTED

ALL DIMENSIONS ARE IN INCHES
METRIC UNITS ARE DISPLAYED
BENEATH IN [MM.]

MATERIAL	-
FINISH	N/A
DO NOT SCALE DRAWING	

BUS PLUG ACCESORIES

SIZE	DWG. NO.	REV.
A	ITAP200N	A
SCALE: 1:2	WEIGHT: 3.2 LBS	SHEET 1 OF 1