



CONTACT US  
855.355.2724  
Email - [sales@brahelectric.com](mailto:sales@brahelectric.com)  
[www.brahelectric.com](http://www.brahelectric.com)

## PRODUCT DATA SHEET



### **PART NUMBER – KOF-2-BP:**

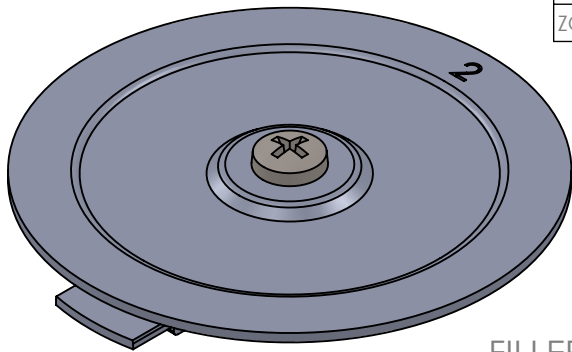
KOF-2-BP, BRAH Electric, 2"non- gasketed steel knockout fillers/sealers, 3 Piece, Size: 2 IN, Steel, Zinc Plated Finish, suitable for use to cover/seal 2" knockout holes in electrical boxes, cans, switches and enclosures ; bulk pack - this item comes in a boxed carton of quantity 20 units.

### **PRODUCT SPECIFICATIONS**

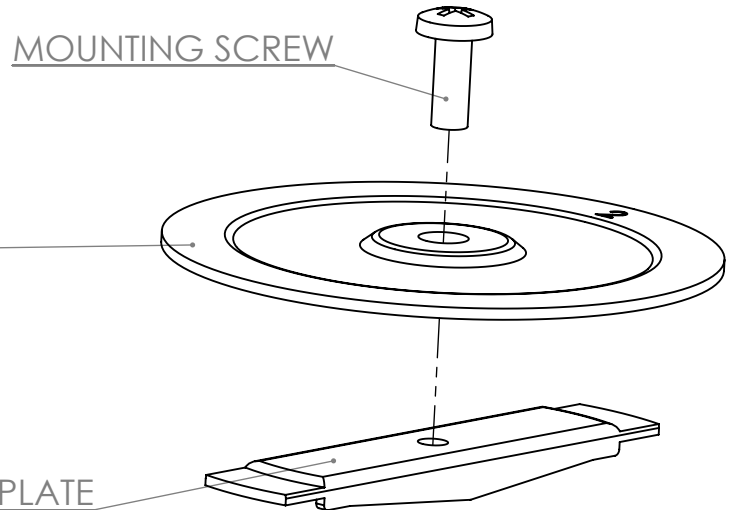
TYPE	VALUE(UNITS)	NOTES
PART NUMBER	KOF-2-BP	
MANUFACTURER	BRAH Electric	
SUB-CATEGORY	SWITCH PART	
GROUP	KNOCKOUT FILLERS	
FAMILY	UNIVERSAL	
TYPE	KOF	
DIAMETER	2"	

**Warranty:** All Products sold by BRAH Electric are guaranteed to be free of defect for a period of two years, under the condition that the product has been installed and operated properly. All items proven defective within the two year period will be replaced by BRAH Electric. We are not responsible for any consequential losses or damages outside of the defective product as well as any replacements or repairs performed by another party without a written authorization from BRAH Electric.

REVISIONS				
ZONE	REV.	DESCRIPTION	DATE	APPROVED

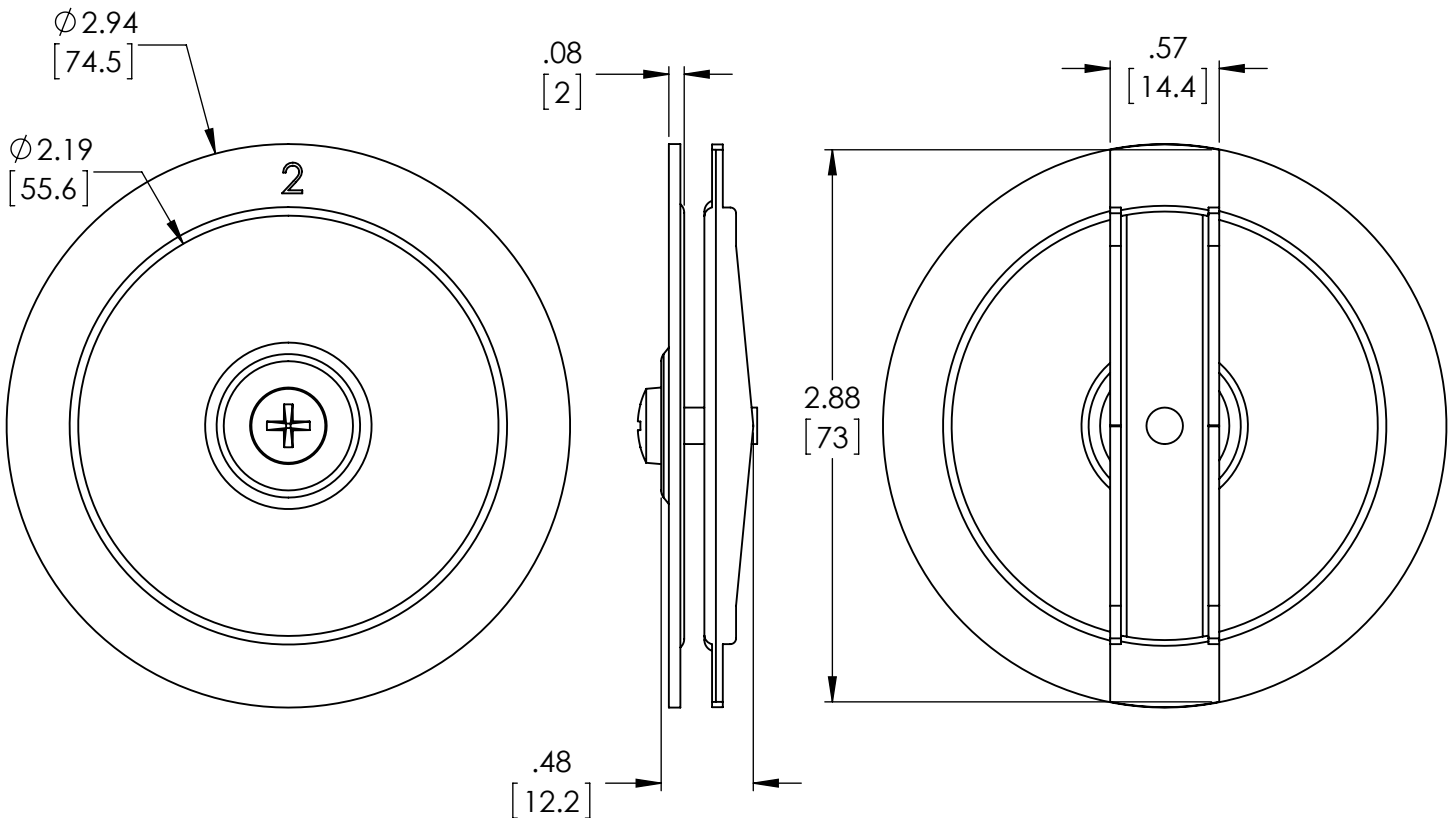


FILLER PLATE



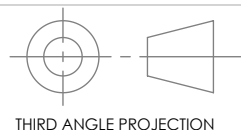
MOUNTING SCREW

CLAMP PLATE



[WWW.BRAHELECTRIC.COM](http://WWW.BRAHELECTRIC.COM), 855-355-2724

\* KOF-2, BRAH Electric, 2" knockout fillers, suitable for use to plug holes in metal enclosures



UNLESS OTHERWISE NOTED  
 ALL DIMENSIONS ARE IN INCHES  
 METRIC UNITS ARE DISPLAYED  
 BENEATH IN [ MM. ]



Knock Out Filler  
 2 in.

**PROPRIETARY AND CONFIDENTIAL**  
 THE INFORMATION CONTAINED IN THIS DRAWING IS THE SOLE PROPERTY OF BRAH ELECTRIC. ANY REPRODUCTION IN PART OR AS A WHOLE WITHOUT THE WRITTEN PERMISSION OF BRAH ELECTRIC IS PROHIBITED.

MATERIAL  
 Steel with Foam Rubber Gasket

FINISH  
 Zinc Plated

DO NOT SCALE DRAWING

SIZE <b>A</b>	DWG. NO. KOF-2	REV. <b>A</b>
SCALE: 1:5	WEIGHT: 3.2 LBS	SHEET 1 OF 1