



CONTACT US
855.355.2724
Email - sales@brahelectric.com
www.brahelectric.com

PRODUCT DATA SHEET



PART NUMBER – KOF-4-BP:

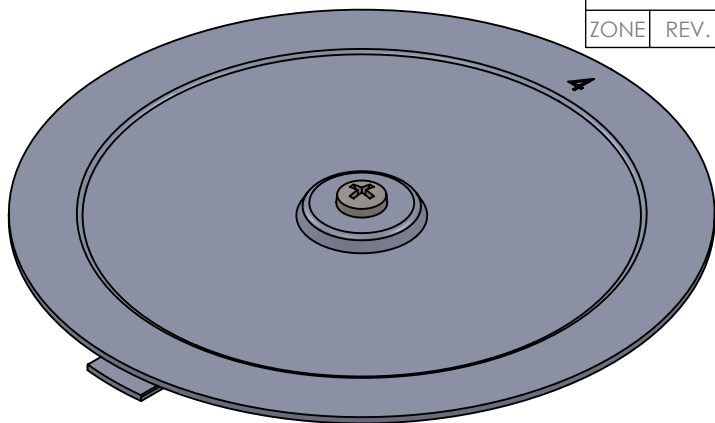
KOF-4-BP, BRAH Electric, 4"non- gasketed steel knockout fillers/sealers, 3 Piece, Size: -4 IN, Steel, Zinc Plated Finish, suitable for use to cover/seal 4" knockout holes in electrical boxes, cans, switches and enclosures; bulk pack - this item comes in a boxed carton of quantity 20 units.

PRODUCT SPECIFICATIONS

TYPE	VALUE(UNITS)	NOTES
PART NUMBER	KOF-4-BP	
MANUFACTURER	BRAH Electric	
SUB-CATEGORY	SWITCH PART	
GROUP	KNOCKOUT FILLERS	
FAMILY	UNIVERSAL	
TYPE	KOF	
DIAMETER	4"	

Warranty: All Products sold by BRAH Electric are guaranteed to be free of defect for a period of two years, under the condition that the product has been installed and operated properly. All items proven defective within the two year period will be replaced by BRAH Electric. We are not responsible for any consequential losses or damages outside of the defective product as well as any replacements or repairs performed by another party without a written authorization from BRAH Electric.

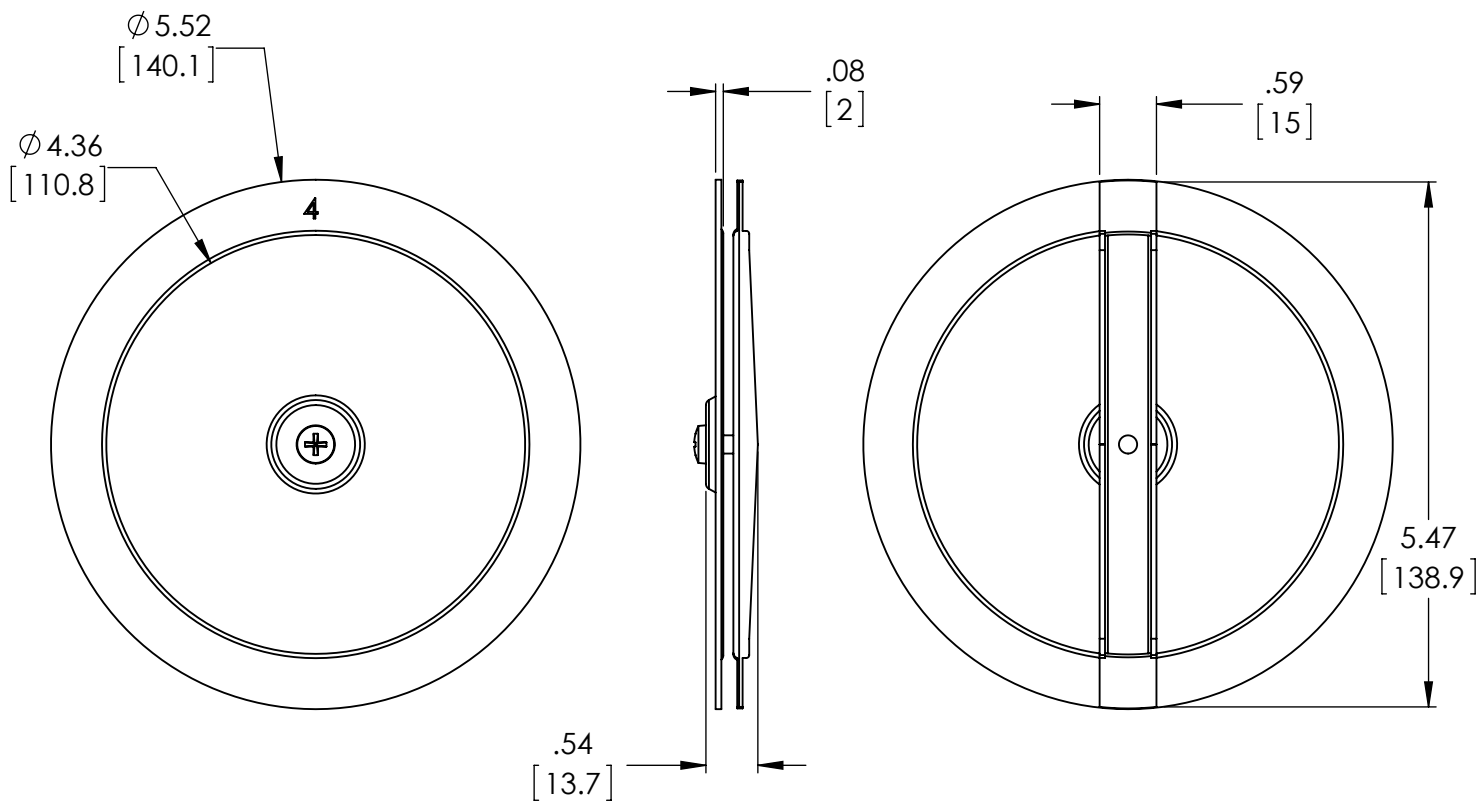
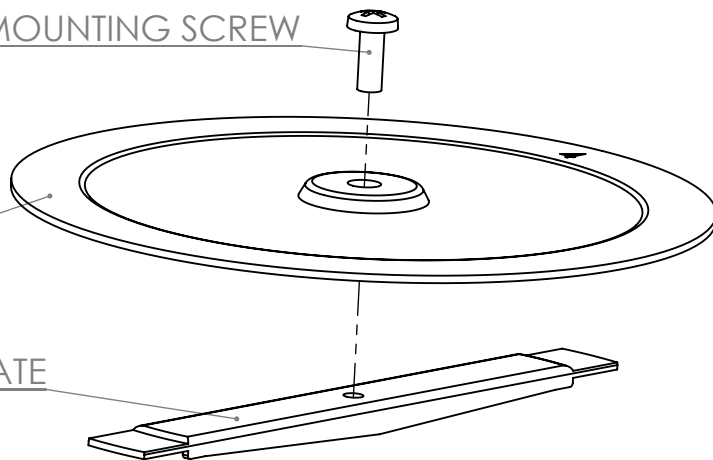
REVISIONS				
ZONE	REV.	DESCRIPTION	DATE	APPROVED



MOUNTING SCREW

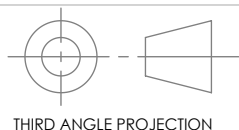
FILLER PLATE

CLAMP PLATE



WWW.BRAHELECTRIC.COM, 855-355-2724

* KOF-4, BRAH Electric, 4" knockout fillers, suitable for use to plug holes in metal enclosures



UNLESS OTHERWISE NOTED
ALL DIMENSIONS ARE IN INCHES
METRIC UNITS ARE DISPLAYED
BENEATH IN [MM.]



Knock Out Filler 4in.

PROPRIETARY AND CONFIDENTIAL

THE INFORMATION CONTAINED IN THIS DRAWING IS THE SOLE PROPERTY OF BRAH ELECTRIC. ANY REPRODUCTION IN PART OR AS A WHOLE WITHOUT THE WRITTEN PERMISSION OF BRAH ELECTRIC IS PROHIBITED.

MATERIAL
Steel with Foam Rubber Gasket

FINISH
Zinc Plated

DO NOT SCALE DRAWING

SIZE A	DWG. NO. KOF-4	REV. A
SCALE: 1:5	WEIGHT: 3.2 LBS	SHEET 1 OF 1