



CONTACT US @ 855-355-2724

E-Mail: Sales@brahelectric.com

www.Brahelectric.com

PRODUCT DATA SHEET



Bus Plug Accessories
PART NO. ML250MCM

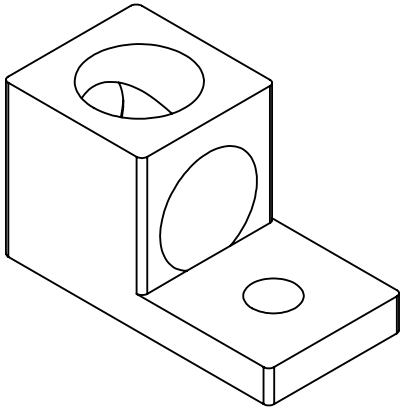
PART NUMBER – ML250MCM: BRAH Electric, BRAH - Bus Plugs, 250 MCM lug terminal, to be used with any OEM bus plug

PRODUCT SPECIFICATIONS

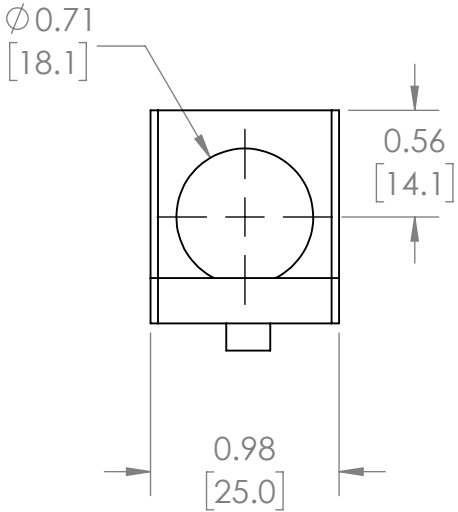
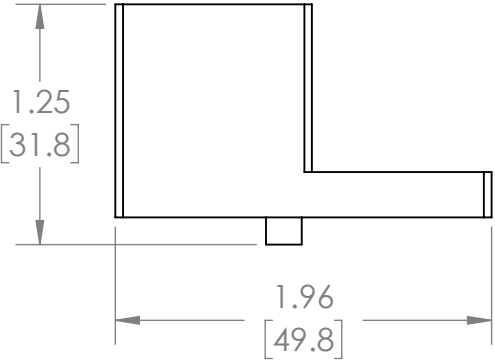
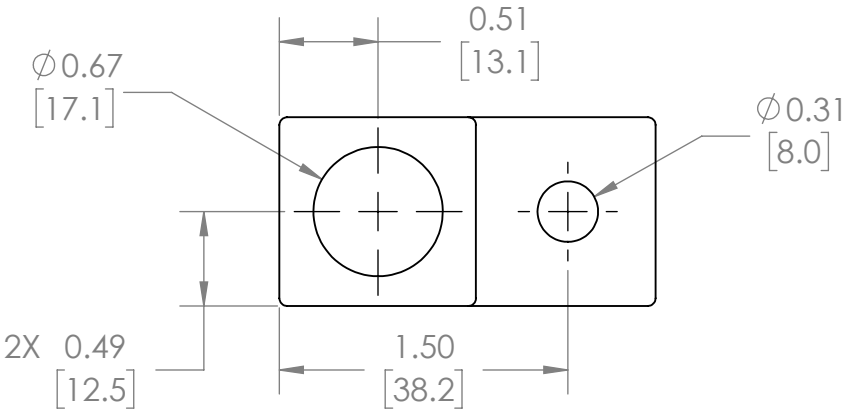
Manufacturer	BRAH Electric
Sub-Category	Bus Plug Parts
Family	BRAH-Bus Plugs
Type	ML
Group	Bus Plug Parts

Warranty: All Products sold by BRAH Electric are guaranteed to be free of defect for a period of one year, under the condition that the product has been installed and operated properly. All items proven defective within the one year period will be replaced by BRAH Electric. In the event that we cannot provide a direct replacement, your monies will be refunded in full. We are not responsible for any consequential losses or damages outside of the defective product as well as any replacements or repairs performed by another party without our written authorization from BRAH Electric.

REVISIONS				
ZONE	REV.	DESCRIPTION	DATE	APPROVED



ISO VIEW



WWW.BRAHELECTRIC.COM, 855-355-2724

*NOTE: BRAH ELECTRIC BUS PLUG ACCESORIES ML250MCM IS AN AFTERMARKET DIRECT REPLACEMENT FOR 250 MCM LUG TERMINAL, TO BE USED WITH ANY OEM BUS PLUG

THIRD ANGLE PROJECTION

PROPRIETARY AND CONFIDENTIAL

THE INFORMATION CONTAINED IN THIS DRAWING IS THE SOLE PROPERTY OF BRAH ELECTRIC. ANY REPRODUCTION IN PART OR AS A WHOLE WITHOUT THE WRITTEN PERMISSION OF BRAH ELECTRIC IS PROHIBITED.

UNLESS OTHERWISE NOTED
ALL DIMENSIONS ARE IN INCHES
METRIC UNITS ARE DISPLAYED
BENEATH IN [MM.]

MATERIAL	-
FINISH	N/A
DO NOT SCALE DRAWING	

BUS PLUG ACCESORIES

SIZE A	DWG. NO. ML250MCM	REV. A
SCALE: 1:1	WEIGHT: 3.2 LBS	SHEET 1 OF 1