



CONTACT US @ 855-355-2724

E-Mail: Sales@brahelectric.com

www.Brahelectric.com

PRODUCT DATA SHEET



BUS PLUGS

Picture is for reference only,
Actual Kit may vary slightly

PART NUMBER- ML600MCM:

BRAH Electric lug terminal kit for bus plugs, rated for 600MCM, designed for various 600-volt fusible switch and bus plugs applications, substitute universal lug for use with OEM General Electric, Square D, Eaton and Siemens fusible switch products, lugs sold individually.

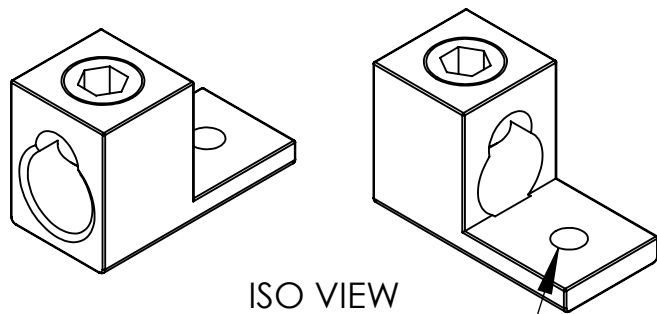
PRODUCT SPECIFICATIONS

Manufacturer	BRAH Electric
Sub-Category	Bus Plug Parts
Family	Universal
Type	ML
Group	Lug Terminal Kits
OEM Manufacturer	ILSCO
Voltage Max	600

Warranty: All Products sold by BRAH Electric are guaranteed to be free of defect for a period of two years, under the condition that the product has been installed and operated properly. All items proven defective within the one year period will be replaced by BRAH Electric. In the event that we cannot provide a direct replacement, your monies will be refunded in full. We are not responsible for any consequential losses or damages outside of the defective product as well as any replacements or repairs performed by another party without our written authorization from BRAH Electric.

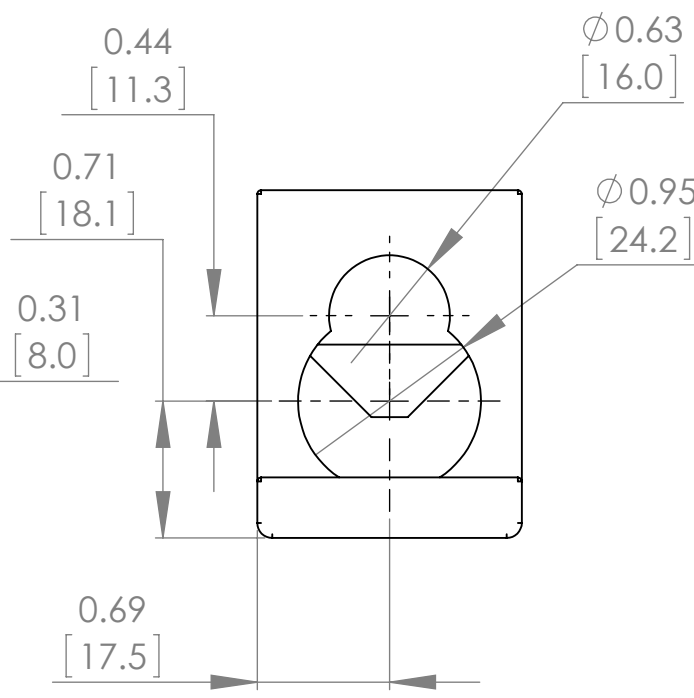
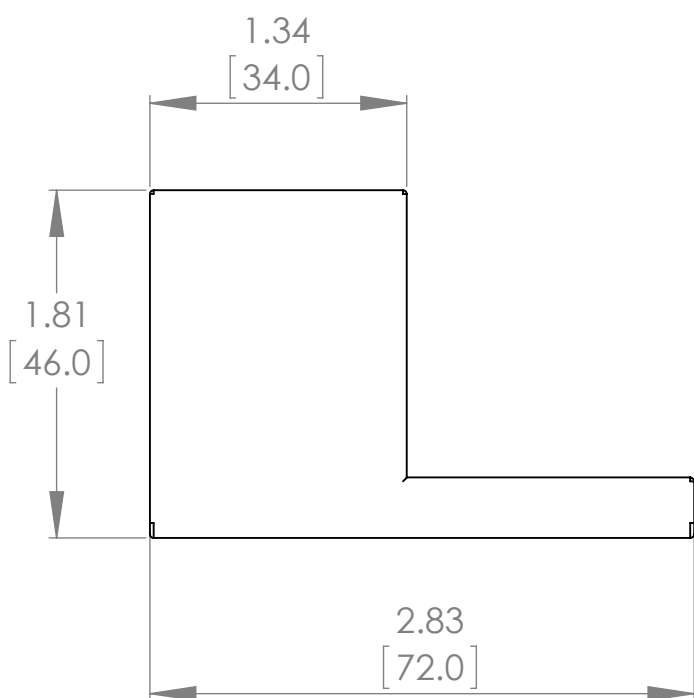
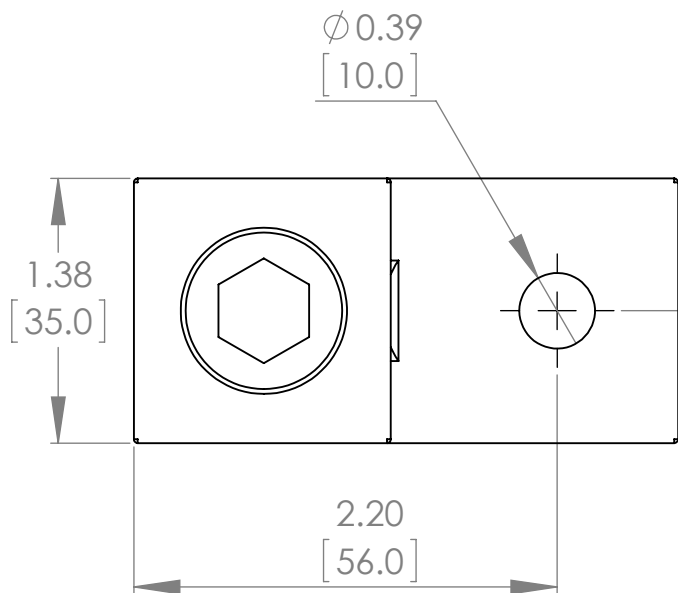
REVISIONS

ZONE	REV.	DESCRIPTION	DATE	APPROVED
------	------	-------------	------	----------



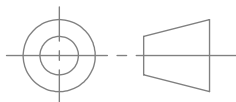
ISO VIEW

MOUNTING HOLE



WWW.BRAHELECTRIC.COM, 855-355-2724

* NOTE: BRAH ELECTRIC, BRAH - BUS PLUGS, 600 MCM LUG TERMINAL, TO BE USED WITH ANY OEM BUS PLUG



THIRD ANGLE PROJECTION

PROPRIETARY AND CONFIDENTIAL

THE INFORMATION CONTAINED IN THIS DRAWING IS THE SOLE PROPERTY OF BRAH ELECTRIC. ANY REPRODUCTION IN PART OR AS A WHOLE WITHOUT THE WRITTEN PERMISSION OF BRAH ELECTRIC IS PROHIBITED.

UNLESS OTHERWISE NOTED

ALL DIMENSIONS ARE IN INCHES
METRIC UNITS ARE DISPLAYED
BENEATH IN [MM.]

MATERIAL	-
FINISH	N/A
DO NOT SCALE DRAWING	



NEUTRAL KITS

SIZE	DWG. NO.	REV.
A	ML600MCM	A
SCALE: 1:1	WEIGHT:	SHEET 1 OF 1