



CONTACT US @ 855-355-2724
E-Mail: Sales@brahelectric.com
www.Brahelectric.com

PRODUCT DATA SHEET



PART NUMBER – N100: BRAH Electric, aftermarket direct replacement neutral kits, suitable for use with General Electric fusible type Armor Clad "AC", Spectra Series "SB" and Spectra Low-Amp "SL" series bus plugs rated for 100A 600V maximum, kit includes neutral insulator, neutral connector and neutral stab to make a complete assembly. This kit does not include a ground.

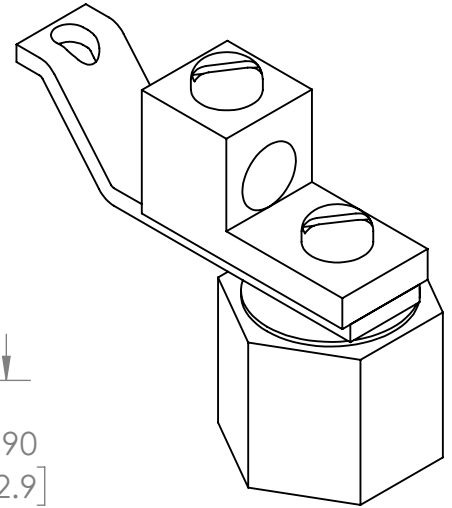
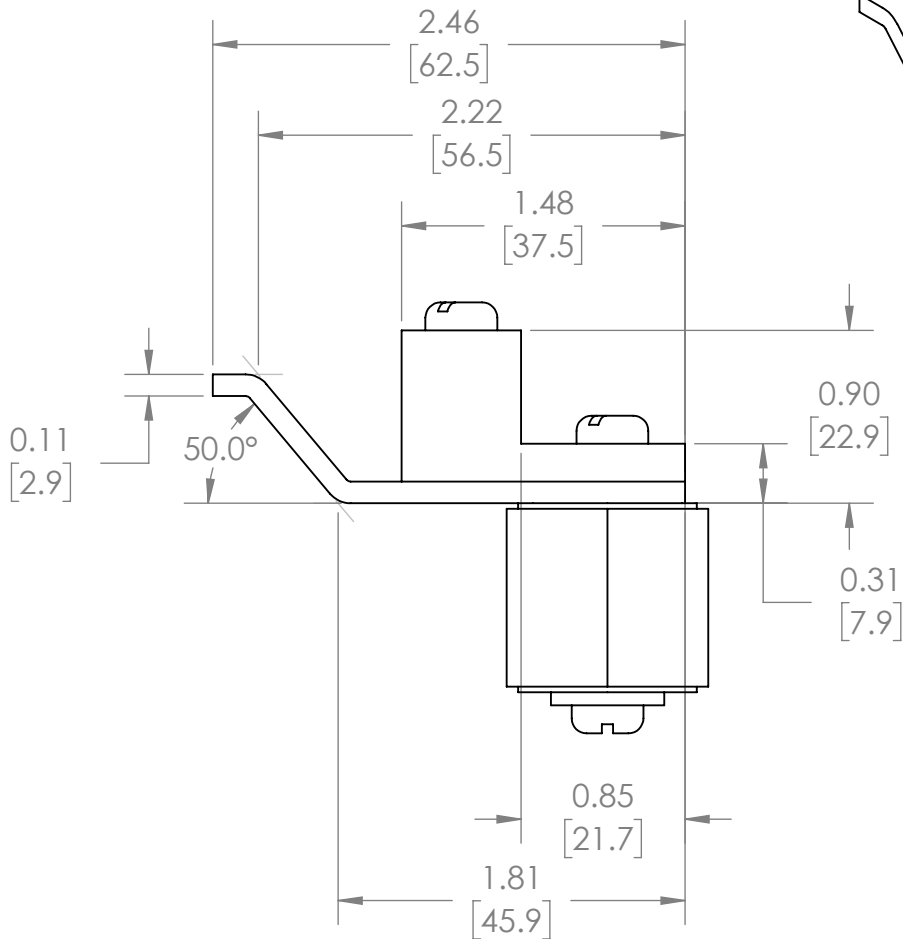
PRODUCT SPECIFICATIONS

Manufacturer	BRAH Electric
Sub-Category	Neutral Kits
Family	General Electric
Type	NG
BUS Plug For	AC,SB,SL
Voltage	600
Amperage	100

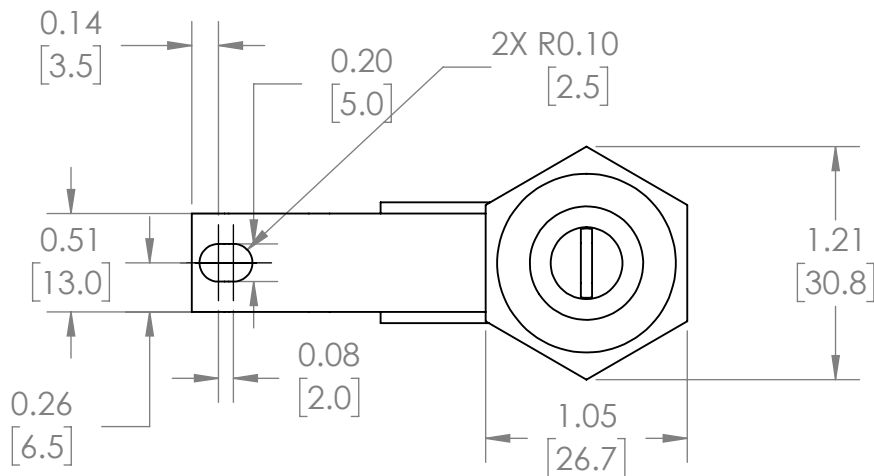
Bus Plug Accessories
PART NO. N100

Warranty: All Products sold by BRAH Electric are guaranteed to be free of defect for a period of one year, under the condition that the product has been installed and operated properly. All items proven defective within the one year period will be replaced by BRAH Electric. In the event that we cannot provide a direct replacement, your monies will be refunded in full. We are not responsible for any consequential losses or damages outside of the defective product as well as any replacements or repairs performed by another party without our written authorization from BRAH Electric.

REVISIONS				
ZONE	REV.	DESCRIPTION	DATE	APPROVED

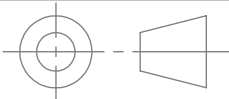



ISO VIEW



WWW.BRAHELECTRIC.COM, 855-355-2724

*NOTE: BRAH ELECTRIC BUS PLUG ACCESSORIES N100 IS DIRECT REPLACEMENT NEUTRAL KITS, SUITABLE FOR USE WITH GENERAL ELECTRIC FUSIBLE TYPE ARMOR CLAD "AC", SPECTRA SERIES "SB" AND SPECTRA LOW-AMP "SL" SERIES BUS PLUGS RATED FOR 100A 600V MAXIMUM

 THIRD ANGLE PROJECTION	UNLESS OTHERWISE NOTED		
	ALL DIMENSIONS ARE IN INCHES METRIC UNITS ARE DISPLAYED BENEATH IN [MM.]		
PROPRIETARY AND CONFIDENTIAL THE INFORMATION CONTAINED IN THIS DRAWING IS THE SOLE PROPERTY OF BRAH ELECTRIC. ANY REPRODUCTION IN PART OR AS A WHOLE WITHOUT THE WRITTEN PERMISSION OF BRAH ELECTRIC IS PROHIBITED.	MATERIAL	NEUTRAL KITS	
	FINISH		N/A
	DO NOT SCALE DRAWING		N/A
SIZE	DWG. NO.	REV.	
A	N100	A	
SCALE: 1:1	WEIGHT: 3.2 LBS	SHEET 1 OF 1	