

PRODUCT DATA SHEET



PART NUMBER – N250BT: BRAH Electric aftermarket direct replacement neutral kits for General Electric, Spectra Series, type N250, rated for 250A max, 600V maximum, suitable for use with 70A-250A SFLA, SFPA, SFHA Spectra Series breaker type bus plugs and busway systems

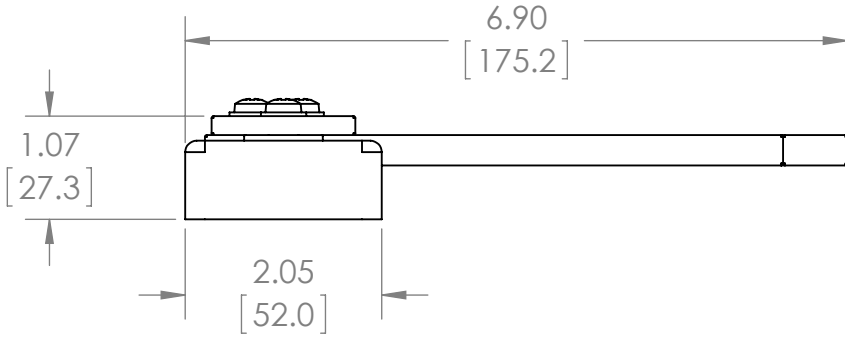
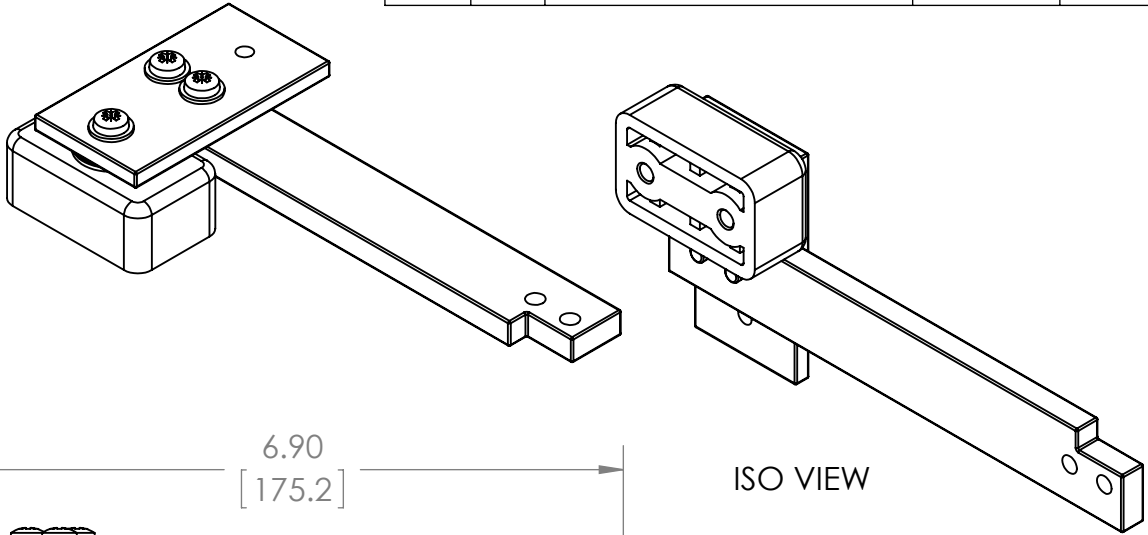
Bus Plug Accessories
PART NO. N250BT

PRODUCT SPECIFICATIONS

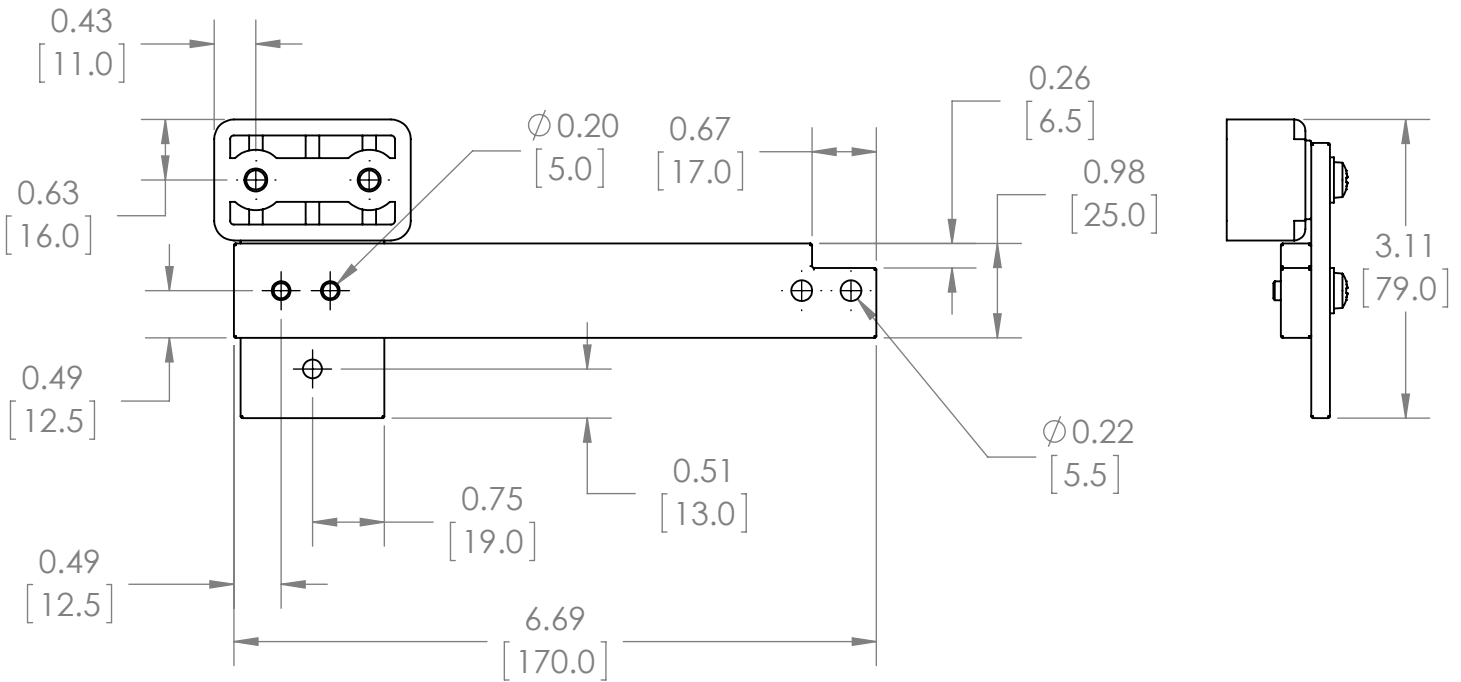
Manufacturer	BRAH Electric
Sub-Category	Neutral Kits
Family	Spectra Series
Type	N250
Bus Plug For	SFLA,SFPA,SFHA
Voltage	600
Amperage Min	70
Amperage Max	250

Warranty: All Products sold by BRAH Electric are guaranteed to be free of defect for a period of one year, under the condition that the product has been installed and operated properly. All items proven defective within the one year period will be replaced by BRAH Electric. In the event that we cannot provide a direct replacement, your monies will be refunded in full. We are not responsible for any consequential losses or damages outside of the defective product as well as any replacements or repairs performed by another party without our written authorization from BRAH Electric.

REVISIONS				
ZONE	REV.	DESCRIPTION	DATE	APPROVED

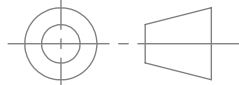



ISO VIEW

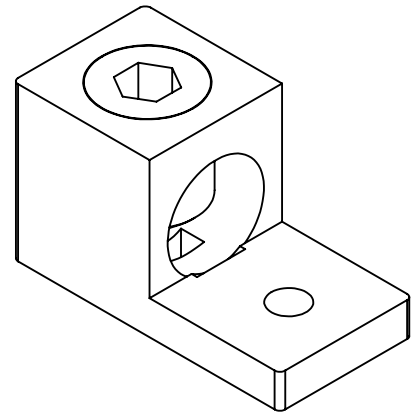


* NOTE: BRAH ELECTRIC NEUTRAL KITS ARE A DIRECT REPLACEMENT FOR GENERAL ELECTRIC, SPECTRA SERIES, TYPE N250, RATED FOR 250A MAX, 600V MAXIMUM, SUITABLE FOR USE WITH 70A-250A SFLA, SFPA, SFHA SPECTRA SERIES BREAKER TYPE BUS PLUGS AND BUSWAY SYSTEMS

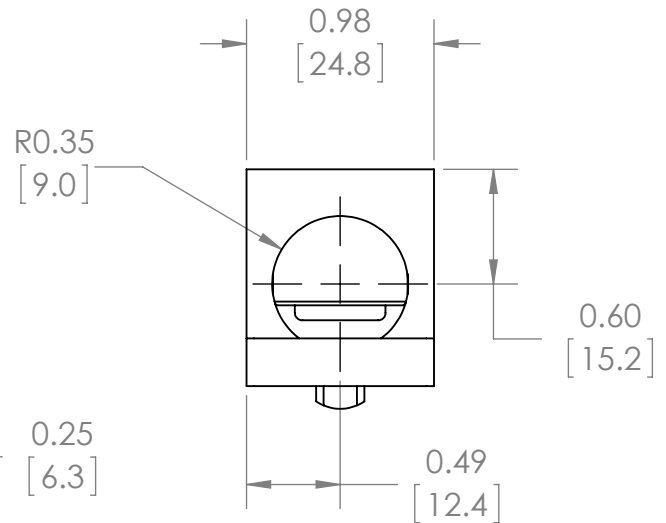
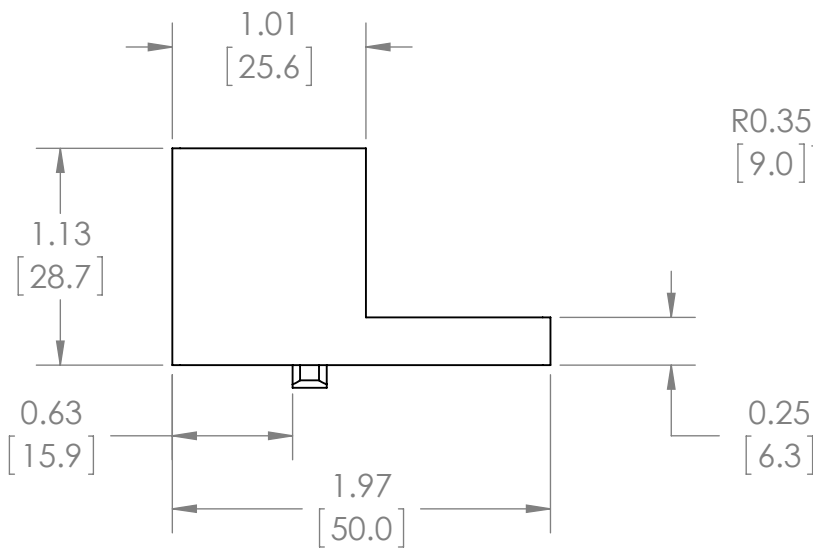
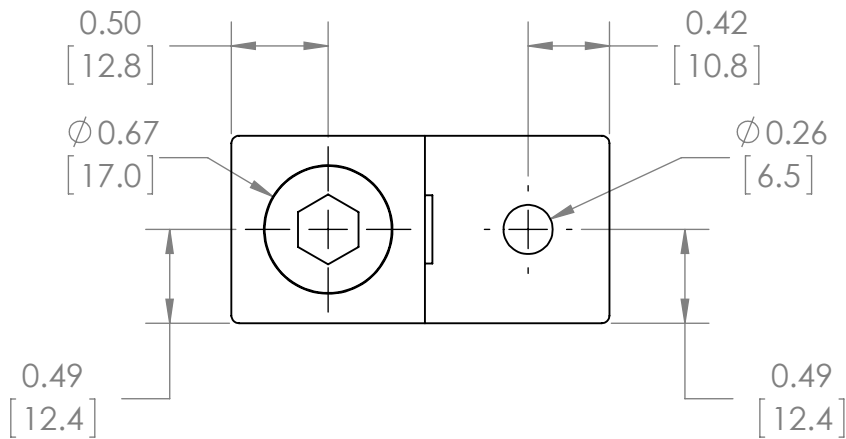
WWW.BRAHELECTRIC.COM, 855-355-2724

 <p>THIRD ANGLE PROJECTION</p>	<p>UNLESS OTHERWISE NOTED</p> <p>ALL DIMENSIONS ARE IN INCHES METRIC UNITS ARE DISPLAYED BENEATH IN [MM.]</p>		 <p>BRAH Electric</p>
	<p>PROPRIETARY AND CONFIDENTIAL</p> <p>THE INFORMATION CONTAINED IN THIS DRAWING IS THE SOLE PROPERTY OF BRAH ELECTRIC. ANY REPRODUCTION IN PART OR AS A WHOLE WITHOUT THE WRITTEN PERMISSION OF BRAH ELECTRIC IS PROHIBITED.</p>		
<p>MATERIAL</p> <p>-</p>	<p>FINISH</p> <p>N/A</p>	<p>DO NOT SCALE DRAWING</p>	<p>SIZE DWG. NO.</p> <p>A N250BT</p>
	<p>SCALE:1:2</p>	<p>WEIGHT:</p>	<p>REV. A</p> <p>SHEET 1 OF 2</p>

REVISIONS				
ZONE	REV.	DESCRIPTION	DATE	APPROVED



ISO VIEW



* NOTE: BRAH ELECTRIC NEUTRAL KITS ARE A DIRECT REPLACEMENT FOR GENERAL ELECTRIC, SPECTRA SERIES, TYPE N250, RATED FOR 250A MAX, 600V MAXIMUM, SUITABLE FOR USE WITH 70A-250A SFLA, SPPA, SFHA SPECTRA SERIES BREAKER TYPE BUS PLUGS AND BUSWAY SYSTEMS

WWW.BRAHELECTRIC.COM, 855-355-2724

<p>THIRD ANGLE PROJECTION</p>	<p>UNLESS OTHERWISE NOTED ALL DIMENSIONS ARE IN INCHES METRIC UNITS ARE DISPLAYED BENEATH IN [MM.]</p>			
	<p>PROPRIETARY AND CONFIDENTIAL THE INFORMATION CONTAINED IN THIS DRAWING IS THE SOLE PROPERTY OF BRAH ELECTRIC. ANY REPRODUCTION IN PART OR AS A WHOLE WITHOUT THE WRITTEN PERMISSION OF BRAH ELECTRIC IS PROHIBITED.</p>		<p>NEUTRAL KITS</p>	
<p>MATERIAL -</p>		<p>FINISH N/A</p>		<p>SIZE A</p>
<p>DO NOT SCALE DRAWING</p>		<p>SCALE: 1:1</p>		<p>DWG. NO. N250BT</p>
		<p>WEIGHT:</p>		<p>REV. A</p>
		<p>SHEET 2 OF 2</p>		