



CONTACT US @ 855-355-2724

E-Mail: [Sales@brahelectric.com](mailto:Sales@brahelectric.com)

[www.Brahelectric.com](http://www.Brahelectric.com)

## PRODUCT DATA SHEET

---



**PART NUMBER – NG200:** BRAH Electric, aftermarket direct replacement neutral kits, suitable for use with General Electric fusible type Armor Clad "AC", Spectra Series "SB" and Spectra Low-Amp "SL" series bus plugs rated for 200A 600V maximum, kit includes neutral and ground assembly.

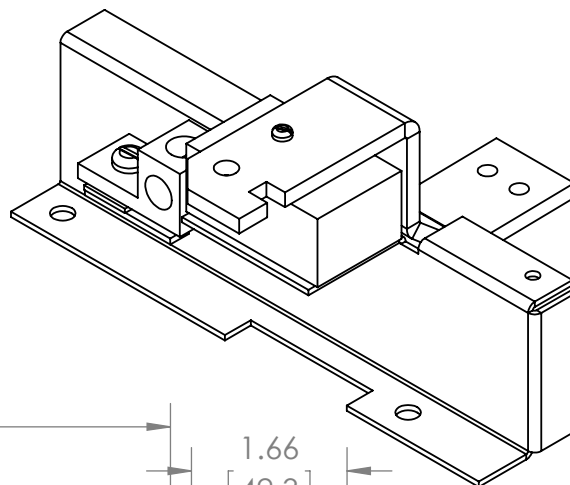
Bus Plug Accessories  
PART NO. NG200

### **PRODUCT SPECIFICATIONS**

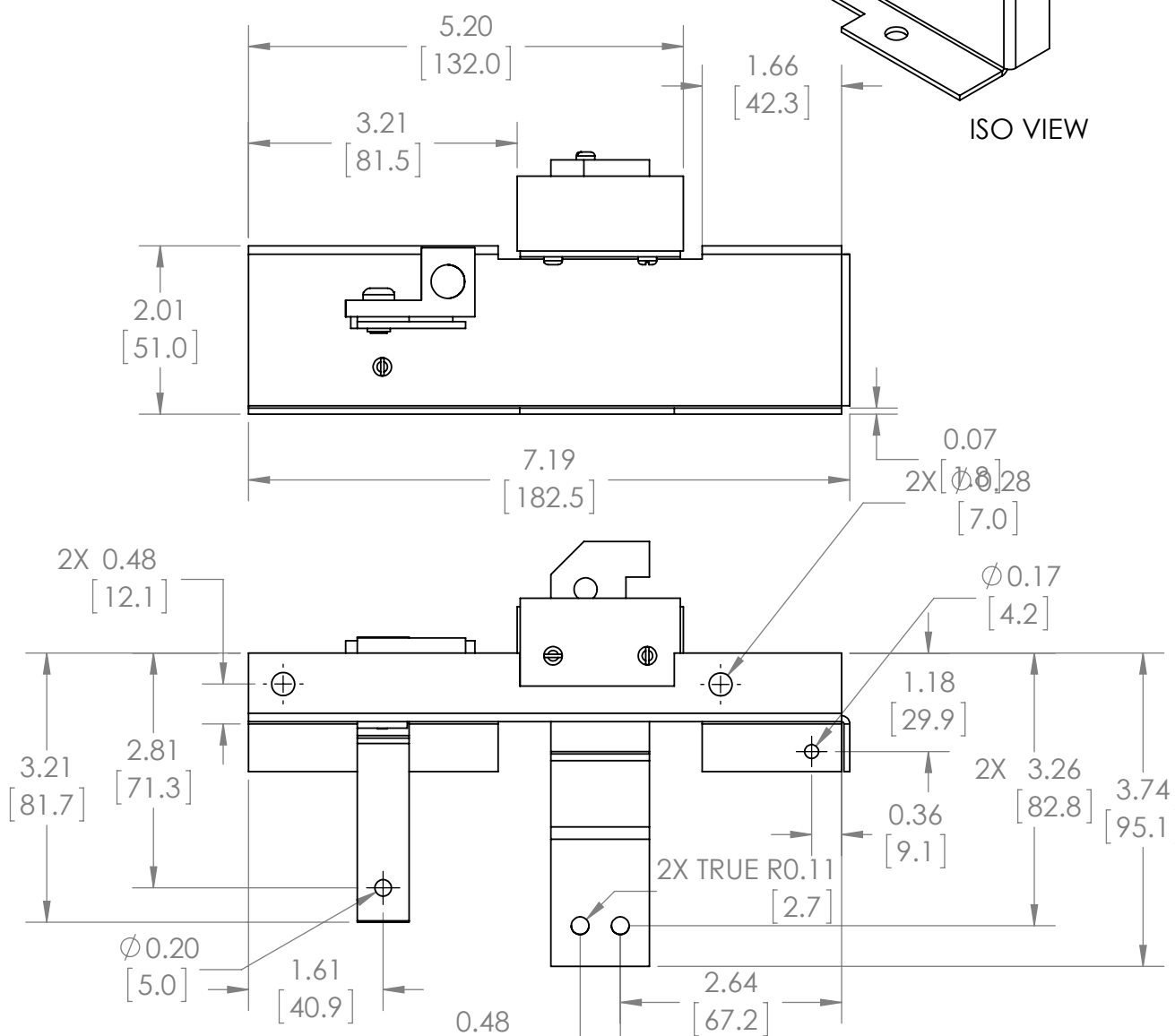
Manufacturer	BRAH Electric
Sub-Category	Neutral Kits
Family	General Electric
Type	NG
BUS Plug For	AC,SB,SL
Voltage	600
Amperage	200

**Warranty:** All Products sold by BRAH Electric are guaranteed to be free of defect for a period of one year, under the condition that the product has been installed and operated properly. All items proven defective within the one year period will be replaced by BRAH Electric. In the event that we cannot provide a direct replacement, your monies will be refunded in full. We are not responsible for any consequential losses or damages outside of the defective product as well as any replacements or repairs performed by another party without our written authorization from BRAH Electric.

REVISIONS				
ZONE	REV.	DESCRIPTION	DATE	APPROVED

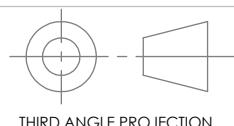


ISO VIEW



\*NOTE: BRAH ELECTRIC BUS PLUG ACCESORIES ITAP100N IS AN AFTERMARKET DIRECT REPLACEMENT NEUTRAL KITS, SUITABLE FOR USE WITH GENERAL ELECTRIC FUSIBLE TYPE ARMOR CLAD "AC", SPECTRA SERIES "SB" AND SPECTRA LOW-AMP "SL" SERIES BUS PLUGS RATED FOR 200A 600V MAXIMUM

[WWW.BRAHELECTRIC.COM](http://WWW.BRAHELECTRIC.COM), 855-355-2724



THIRD ANGLE PROJECTION

**PROPRIETARY AND CONFIDENTIAL**

THE INFORMATION CONTAINED IN THIS DRAWING IS THE SOLE PROPERTY OF BRAH ELECTRIC. ANY REPRODUCTION IN PART OR AS A WHOLE WITHOUT THE WRITTEN PERMISSION OF BRAH ELECTRIC IS PROHIBITED.

UNLESS OTHERWISE NOTED

ALL DIMENSIONS ARE IN INCHES  
METRIC UNITS ARE DISPLAYED  
BENEATH IN [ MM. ]

MATERIAL

FINISH

N/A

DO NOT SCALE DRAWING



BUS PLUG ACCESORIES

SIZE DWG. NO.

NG200-KIT

REV.

A

SCALE: 1:4

WEIGHT: 3.2 LBS

SHEET 1 OF 1