



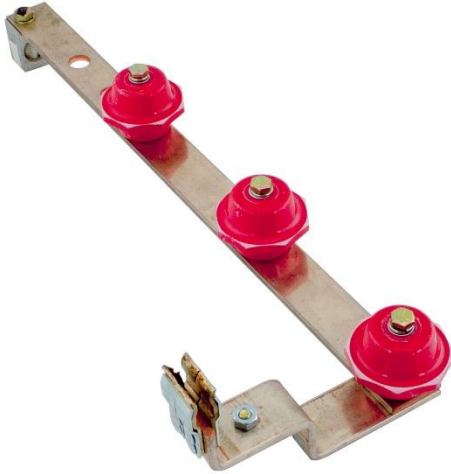
CONTACT US @ 855-355-2724

E-Mail: [Sales@brahelectric.com](mailto:Sales@brahelectric.com)

[www.Brahelectric.com](http://www.Brahelectric.com)

## PRODUCT DATA SHEET

---



### BUS PLUGS

Picture is for reference only,  
Actual Kit may vary slightly

### **PART NUMBER- P3F200N:**

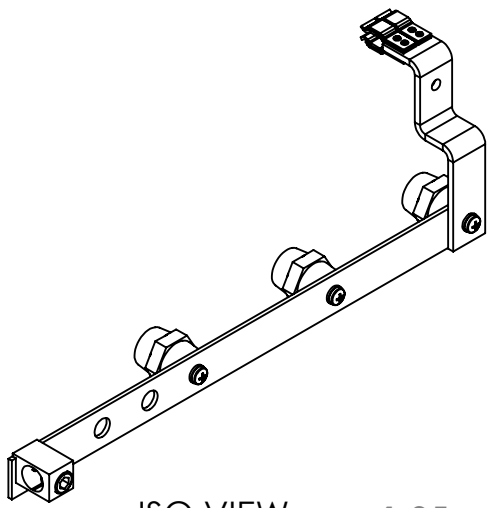
BRAH Electric bus plug neutral kit, rated for 200 amp 600 volt maximum, neutral stab designed and engineered as substitute for OEM Cutler Hammer POW-R-WAY III type P3F fusible bus plugs, comes complete with neutral assembly housing and stab finger, for converting or adding 4th wire neutral to 3 phase bus plugs, for use with 200 amp bus plug sizes, specified for 240 volt and 600 volt bus plugs.

### **PRODUCT SPECIFICATIONS**

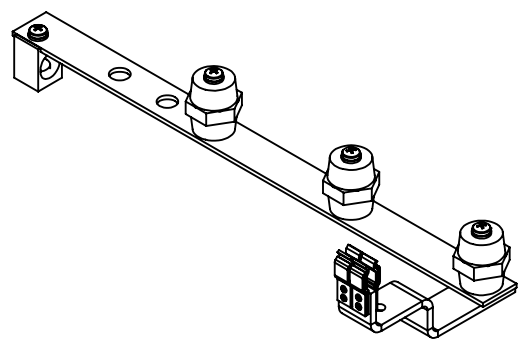
Manufacturer	BRAH Electric
Sub-Category	Neutral Kits
Family	Pow-R-Way III
Type	P3F
OEM Manufacturer	Cutler Hammer
Amperage Min	200
Amperage Max	200
Voltage Max	600

**Warranty:** All Products sold by BRAH Electric are guaranteed to be free of defect for a period of two years, under the condition that the product has been installed and operated properly. All items proven defective within the two-year period will be replaced by BRAH Electric. In the event that we cannot provide a direct replacement, your monies will be refunded in full. We are not responsible for any consequential losses or damages outside of the defective product as well as any replacements or repairs performed by another party without our written authorization from BRAH Electric.

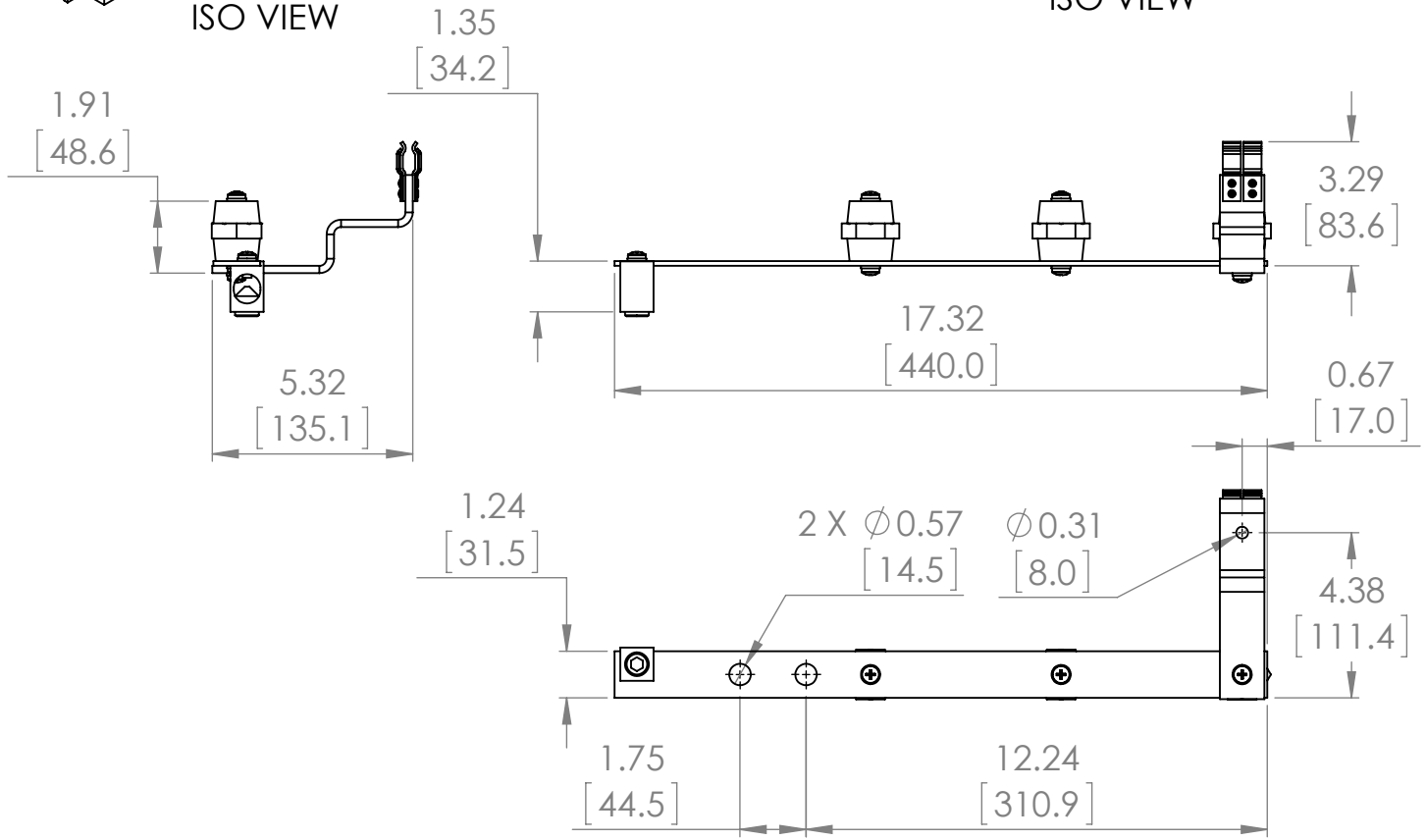
REVISIONS				
ZONE	REV.	DESCRIPTION	DATE	APPROVED



ISO VIEW



ISO VIEW



[WWW.BRAHELECTRIC.COM](http://WWW.BRAHELECTRIC.COM), 855-355-2724

\* NOTE: BRAH Electric, Pow-R-WAY III, NEYTRAL KITS, TYPE P3F, 200A, 600V, SUITABLE FOR USE WITH P3F364, P3F364R, P3F364RG BUS PLUGS

<p>THIRD ANGLE PROJECTION</p>	<p>UNLESS OTHERWISE NOTED</p> <p>ALL DIMENSIONS ARE IN INCHES METRIC UNITS ARE DISPLAYED BENEATH IN [ MM. ]</p>	
	<p><b>PROPRIETARY AND CONFIDENTIAL</b></p> <p>THE INFORMATION CONTAINED IN THIS DRAWING IS THE SOLE PROPERTY OF BRAH ELECTRIC. ANY REPRODUCTION IN PART OR AS A WHOLE WITHOUT THE WRITTEN PERMISSION OF BRAH ELECTRIC IS PROHIBITED.</p>	
<p>MATERIAL</p> <p>-</p>	<p>FINISH</p> <p>N/A</p>	<p>SIZE <b>A</b> DWG. NO. P3F200N</p>
<p>DO NOT SCALE DRAWING</p>	<p>SCALE: 1:5</p>	<p>WEIGHT: 3.2 LBS</p> <p>SHEET 1 OF 1</p>