



CONTACT US @ 855-355-2724

E-Mail: Sales@brahelectric.com

www.Brahelectric.com

PRODUCT DATA SHEET



BUS PLUGS

Picture is for reference only,
Actual Kit may vary slightly

PART NUMBER- PKAG250:

BRAH Electric aftermarket bus plug ground kit, rated for 250 amps 600 volt max, suitable with all OEM Square D I-Line I and II Series Busway, type PKA, PKH and PKC circuit breaker type bus plugs up to 250 amps, substitute replacement for OEM Square D breaker type bus plugs.

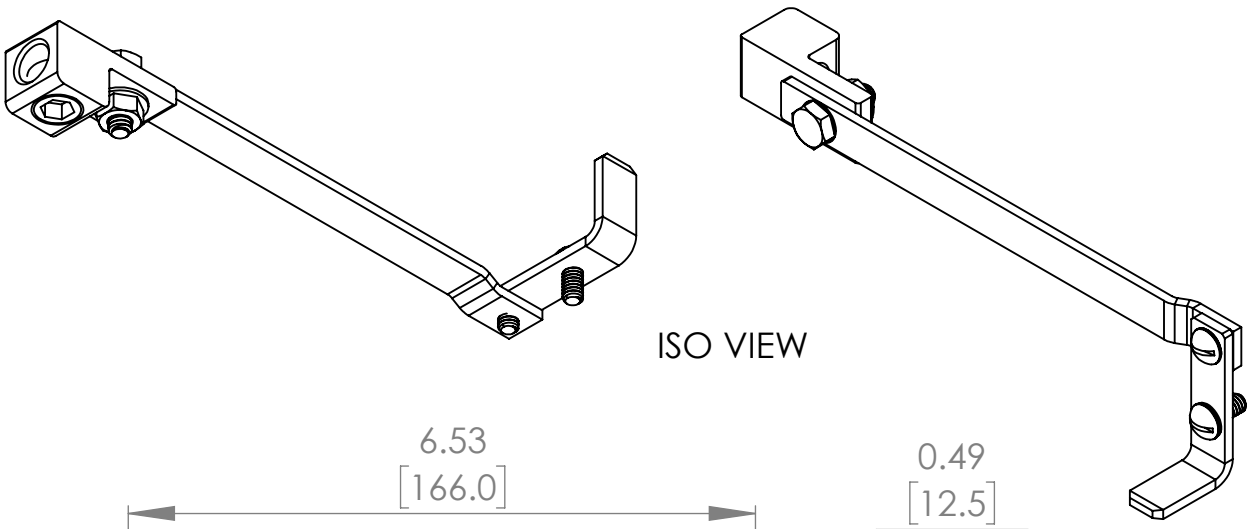
PRODUCT SPECIFICATIONS

Manufacturer	BRAH Electric
Sub-Category	Ground Kits
Family	I-Line
Type	PKAG
Group	Bus Plug Parts
OEM Manufacturer	Square D
Amperage Min	250
Voltage Max	600

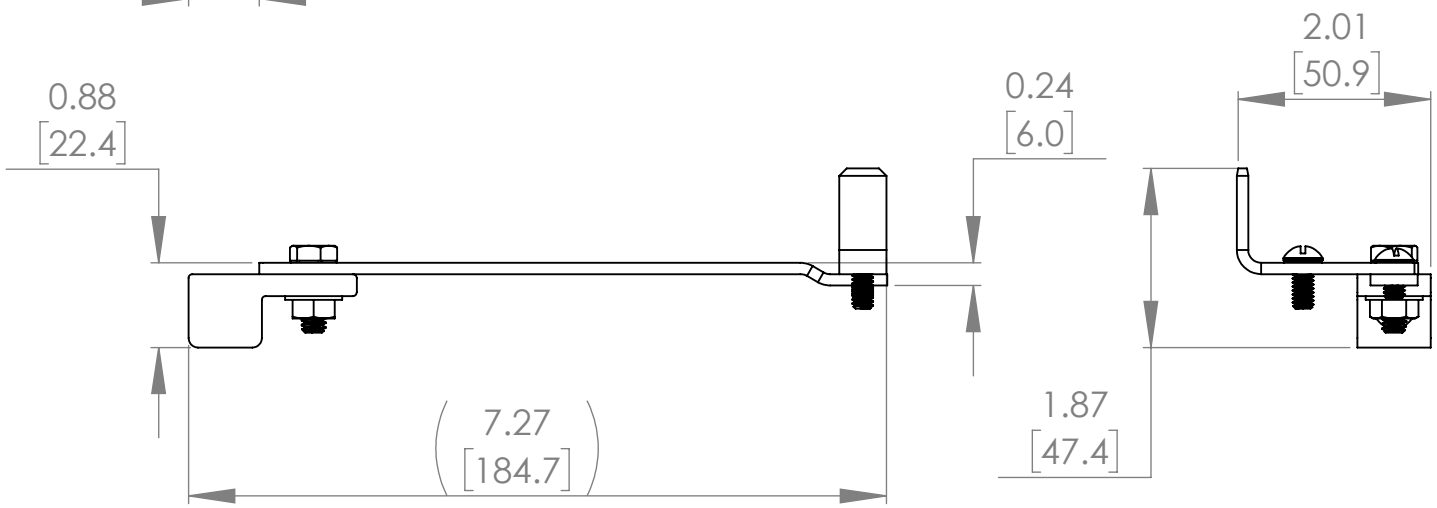
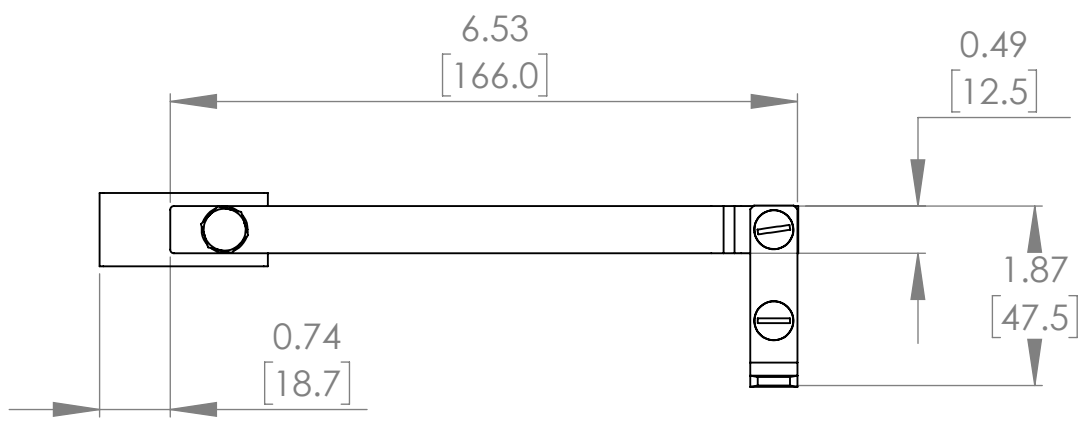
Warranty: All Products sold by BRAH Electric are guaranteed to be free of defect for a period of two years, under the condition that the product has been installed and operated properly. All items proven defective within the one year period will be replaced by BRAH Electric. In the event that we cannot provide a direct replacement, your monies will be refunded in full. We are not responsible for any consequential losses or damages outside of the defective product as well as any replacements or repairs performed by another party without our written authorization from BRAH Electric.

REVISIONS

ZONE	REV.	DESCRIPTION	DATE	APPROVED
------	------	-------------	------	----------



ISO VIEW



WWW.BRAHELECTRIC.COM, 855-355-2724

* NOTE: BRAH ELECTRIC GROUND KITS ARE A DIRECT REPLACEMENT FOR SQUARE D, I-LINE, 600V, 250A, SUITABLE FOR USE WITH 250A PKA, PKH, PKC FRAME I-LINE BUS PLUGS

<p>THIRD ANGLE PROJECTION</p>	<p>UNLESS OTHERWISE NOTED</p> <p>ALL DIMENSIONS ARE IN INCHES METRIC UNITS ARE DISPLAYED BENEATH IN [MM.]</p>	<p>BRAH Electric</p>		
	<p>PROPRIETARY AND CONFIDENTIAL</p> <p>THE INFORMATION CONTAINED IN THIS DRAWING IS THE SOLE PROPERTY OF BRAH ELECTRIC. ANY REPRODUCTION IN PART OR AS A WHOLE WITHOUT THE WRITTEN PERMISSION OF BRAH ELECTRIC IS PROHIBITED.</p>			<p>MATERIAL</p> <p>-</p>
<p>FINISH</p> <p>N/A</p>	<p>DO NOT SCALE DRAWING</p>	<p>SIZE A</p>	<p>DWG. NO. PKAG250</p>	<p>REV. A</p>
		<p>SCALE: 1:2</p>	<p>WEIGHT:</p>	<p>SHEET 1 OF 1</p>