



CONTACT US @ 855-355-2724

E-Mail: [Sales@brahelectric.com](mailto:Sales@brahelectric.com)

[www.Brahelectric.com](http://www.Brahelectric.com)

## PRODUCT DATA SHEET

---



### BUS PLUGS

Picture is for reference only,  
Actual Kit may vary slightly

### **PART NUMBER- PKAN250:**

BRAH Electric bus plug neutral kit assembly, rated for 250 amp 600 volt maximum, neutral designed and engineered as substitute for OEM Square D circuit breaker type PKA bus plugs, neutral only works in breaker type I-Line busway swing plugs PKA, PKH and PKC, neutral kit for converting or adding 4th wire neutral to three phase bus plugs, for use with 250 amp bus plugs, specified for 240 volt and 600 volt bus plugs and systems.

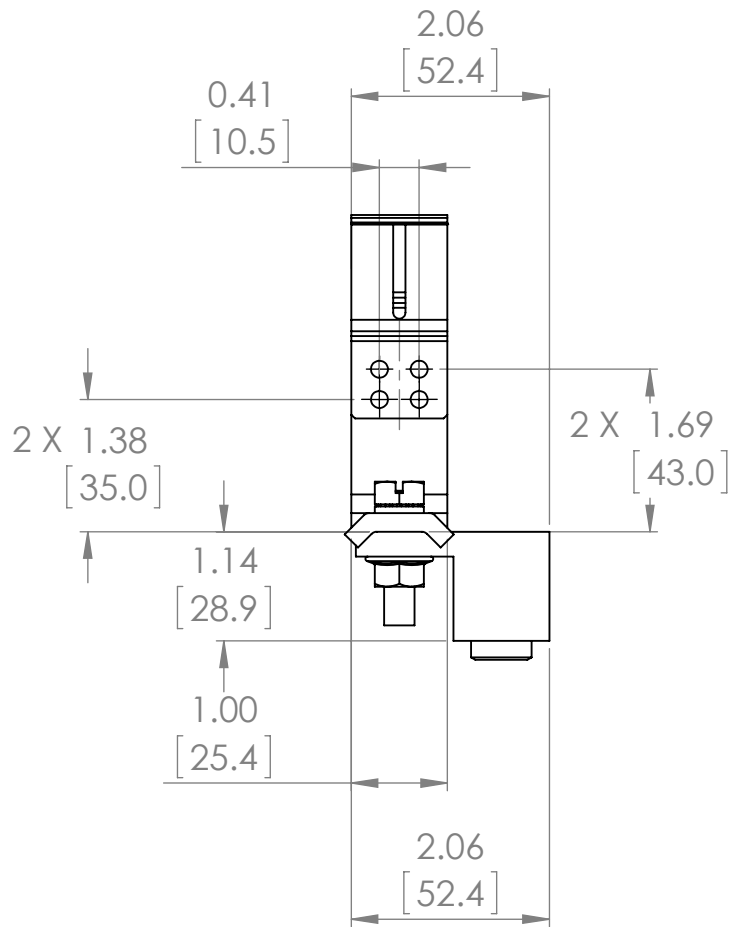
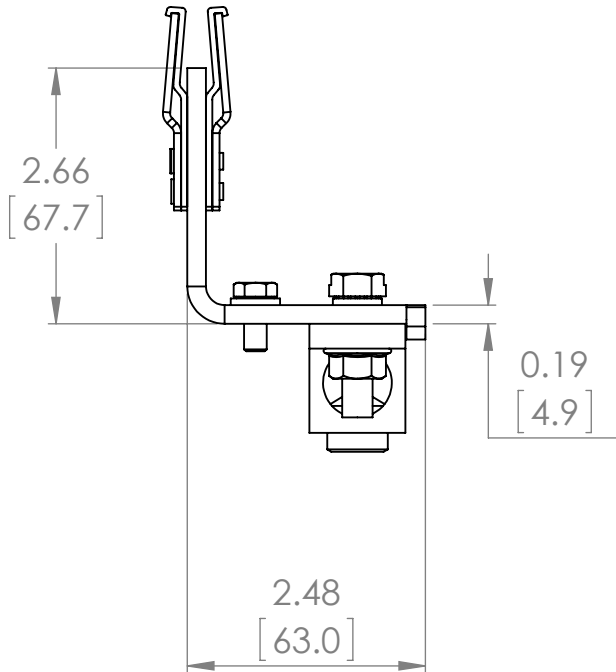
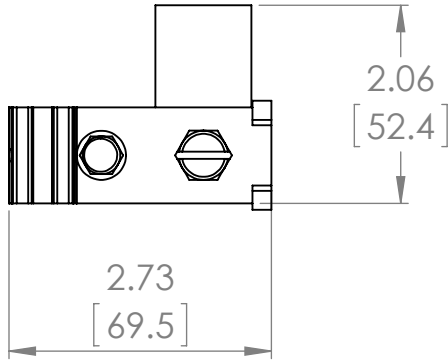
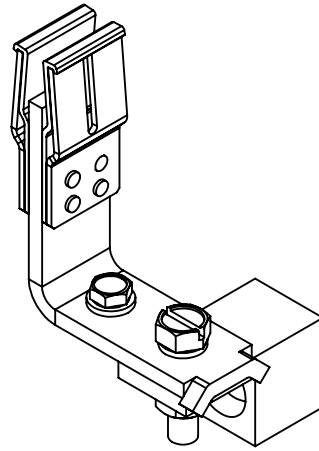
### **PRODUCT SPECIFICATIONS**

Manufacturer	BRAH Electric
Sub-Category	Neutral Kits
Family	I-Line
Type	PKAN
OEM Manufacturer	Square D
Amperage Min	70
Amperage Max	250
Voltage Max	600

**Warranty:** All Products sold by BRAH Electric are guaranteed to be free of defect for a period of two years, under the condition that the product has been installed and operated properly. All items proven defective within the two-year period will be replaced by BRAH Electric. In the event that we cannot provide a direct replacement, your monies will be refunded in full. We are not responsible for any consequential losses or damages outside of the defective product as well as any replacements or repairs performed by another party without our written authorization from BRAH Electric.

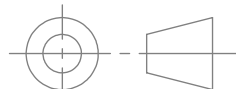
REVISIONS

ZONE	REV.	DESCRIPTION	DATE	APPROVED
------	------	-------------	------	----------



[WWW.BRAHELECTRIC.COM](http://WWW.BRAHELECTRIC.COM), 855-355-2724

\*NOTE: BRAH ELECTRIC DIRECT REPLACEMENT NEUTRAL KITS FOR SQUARE D, I-LINE, 600V, 250A, SUITABLE FOR USE WITH 250A PKA, PKH, PKC FRAME I-LINE BUS PLUGS



THIRD ANGLE PROJECTION

**PROPRIETARY AND CONFIDENTIAL**

THE INFORMATION CONTAINED IN THIS DRAWING IS THE SOLE PROPERTY OF BRAH ELECTRIC. ANY REPRODUCTION IN PART OR AS A WHOLE WITHOUT THE WRITTEN PERMISSION OF BRAH ELECTRIC IS PROHIBITED.

UNLESS OTHERWISE NOTED

ALL DIMENSIONS ARE IN INCHES  
METRIC UNITS ARE DISPLAYED  
BENEATH IN [ MM. ]

MATERIAL

FINISH

N/A

DO NOT SCALE DRAWING



NEUTRAL KITS

SIZE DWG. NO.

A

PKAN250

REV.

A

SCALE:1:2

WEIGHT:

SHEET 1 OF 1