

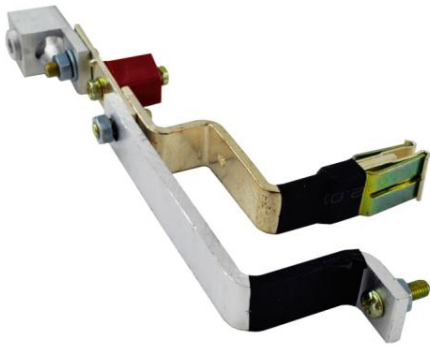


CONTACT US @ 855-355-2724

E-Mail: Sales@brahelectric.com

www.Brahelectric.com

PRODUCT DATA SHEET



PART NUMBER – PQ200N: BRAH Electric, neutral kits, aftermarket direct replacement for square d i-line bus plugs, rated for 200a 600v maximum, suitable for use with fusible style type pq bus plugs

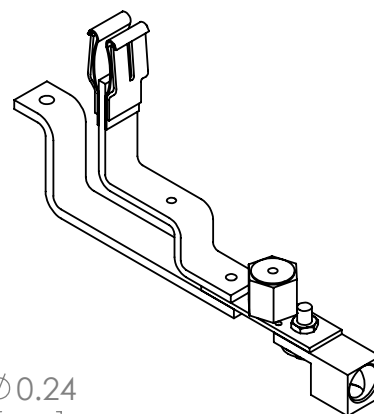
Bus Plug Accessories
PART NO. PQ200N

PRODUCT SPECIFICATIONS

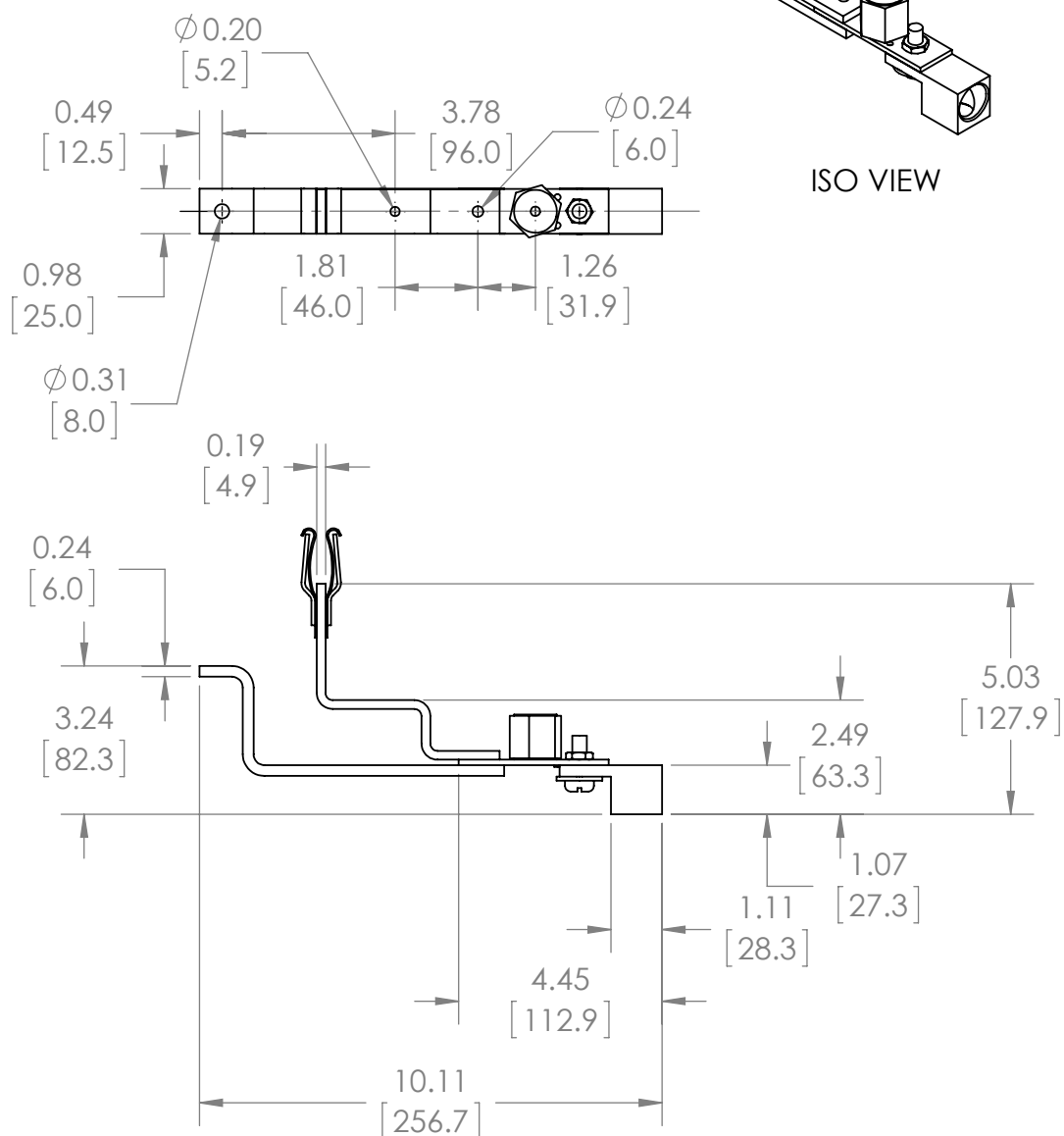
Manufacturer	BRAH Electric
Sub-Category	Neutral Kits
Family	I-Lines
Type	PQ
BUS Plug For	PQ
Voltage	600
Amperage	200

Warranty: All Products sold by BRAH Electric are guaranteed to be free of defect for a period of one year, under the condition that the product has been installed and operated properly. All items proven defective within the one year period will be replaced by BRAH Electric. In the event that we cannot provide a direct replacement, your monies will be refunded in full. We are not responsible for any consequential losses or damages outside of the defective product as well as any replacements or repairs performed by another party without our written authorization from BRAH Electric.

REVISIONS				
ZONE	REV.	DESCRIPTION	DATE	APPROVED



ISO VIEW



WWW.BRAHELECTRIC.COM, 855-355-2724

*NOTE: BRAH ELECTRIC BUS PLUG ACCESSORIES PQ200N IS AN AFTERMARKET DIRECT REPLACEMENT FOR SQUARE D I-LINE BUS PLUGS, RATED FOR 200A 600V MAXIMUM, SUITABLE FOR USE WITH FUSIBLE STYLE TYPE PQ BUS PLUGS

<p>THIRD ANGLE PROJECTION</p>	UNLESS OTHERWISE NOTED	
	ALL DIMENSIONS ARE IN INCHES METRIC UNITS ARE DISPLAYED BENEATH IN [MM.]	
<p>PROPRIETARY AND CONFIDENTIAL</p> <p>THE INFORMATION CONTAINED IN THIS DRAWING IS THE SOLE PROPERTY OF BRAH ELECTRIC. ANY REPRODUCTION IN PART OR AS A WHOLE WITHOUT THE WRITTEN PERMISSION OF BRAH ELECTRIC IS PROHIBITED.</p>	MATERIAL	<p>BUS PLUG ACCESSORIES</p>
	FINISH	
	N/A	<p>SIZE DWG. NO. PQ200N REV. A</p>
DO NOT SCALE DRAWING		<p>SCALE: 1:4 WEIGHT: 3.2 LBS SHEET 1 OF 1</p>