



CONTACT US @ 855-355-2724

E-Mail: Sales@brahelectric.com

www.Brahelectric.com

PRODUCT DATA SHEET



BUS PLUGS

Picture is for reference only,
Actual Kit may vary slightly

PART NUMBER- PQ60HN:

BRAH Electric bus plug neutral kit assembly, rated for 60 amp 600 volt maximum, neutral designed and engineered as substitute for OEM Square D fusible type PQ bus plugs, works only with the older horizontal mounting style bus plugs rated for up to 60 amp, neutral kit for converting or adding 4th wire neutral to three phase bus plugs, for use with 30 amp and 60 amp bus plugs only, specified for 240 volt and 600 volt bus plugs.

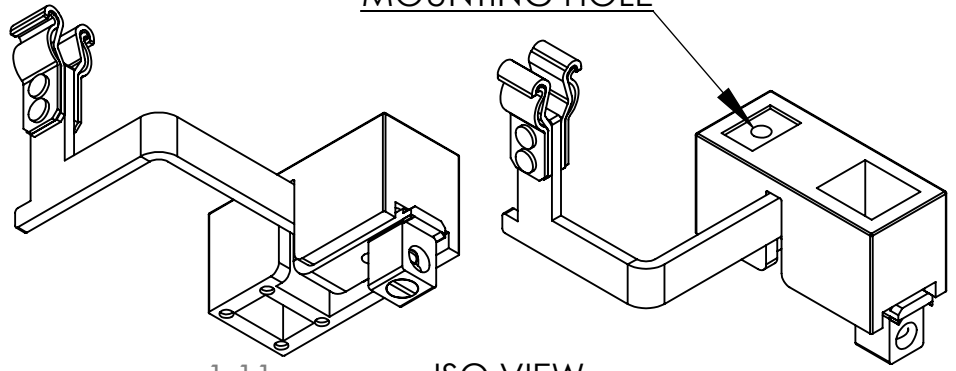
PRODUCT SPECIFICATIONS

Manufacturer	BRAH Electric
Sub-Category	Neutral Kits
Family	I-line
Type	PQ
OEM Manufacturer	Square D
Amperage Min	30
Amperage Max	60
Voltage Max	600

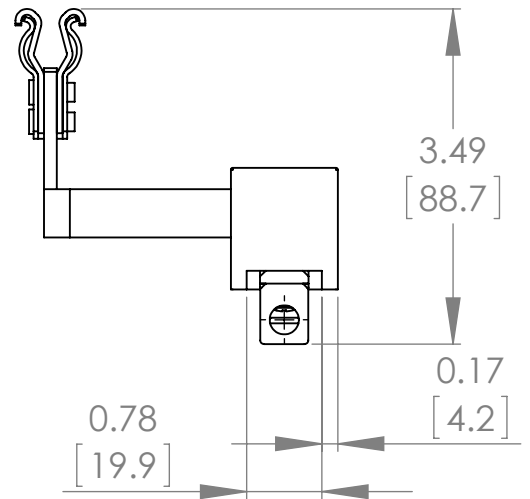
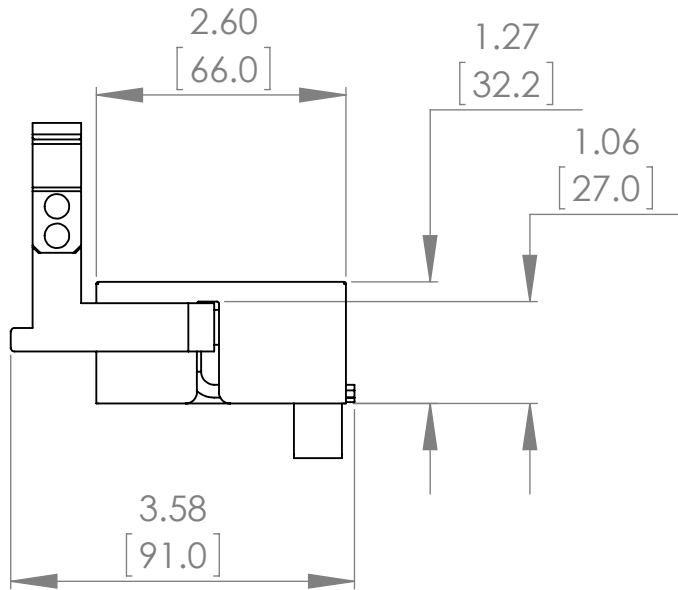
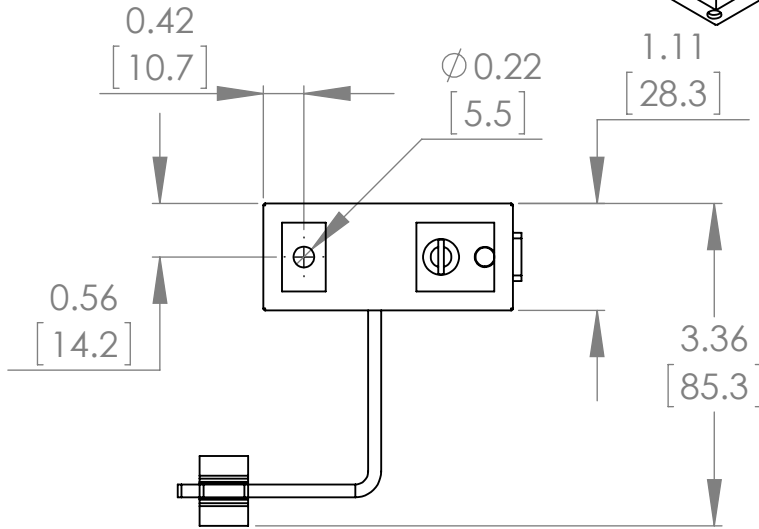
Warranty: All Products sold by BRAH Electric are guaranteed to be free of defect for a period of two years, under the condition that the product has been installed and operated properly. All items proven defective within the two-year period will be replaced by BRAH Electric. In the event that we cannot provide a direct replacement, your monies will be refunded in full. We are not responsible for any consequential losses or damages outside of the defective product as well as any replacements or repairs performed by another party without our written authorization from BRAH Electric.

REVISIONS				
ZONE	REV.	DESCRIPTION	DATE	APPROVED

MOUNTING HOLE



ISO VIEW



WWW.BRAHELECTRIC.COM, 855-355-2724

* NOTE: BRAH ELECTRIC NEUTRAL KITS ARE A DIRECT REPLACEMENT FOR SQUARE D I-LINE BUS PLUGS, RATED FOR 30-60A, 600V MAXIMUM, SUITABLE FOR USE WITH FUSIBLE "HORIZONTAL" STYLE TYPE PQ BUS PLUGS

THIRD ANGLE PROJECTION

PROPRIETARY AND CONFIDENTIAL
THE INFORMATION CONTAINED IN THIS DRAWING IS THE SOLE PROPERTY OF BRAH ELECTRIC. ANY REPRODUCTION IN PART OR AS A WHOLE WITHOUT THE WRITTEN PERMISSION OF BRAH ELECTRIC IS PROHIBITED.

UNLESS OTHERWISE NOTED
ALL DIMENSIONS ARE IN INCHES
METRIC UNITS ARE DISPLAYED
BENEATH IN [MM.]

MATERIAL	-
FINISH	N/A
DO NOT SCALE DRAWING	

NEUTRAL KITS

SIZE	DWG. NO.	REV.
A	PQ60HN	A
SCALE: 1:2	WEIGHT:	SHEET 1 OF 1