



CONTACT US @ 855-355-2724

E-Mail: Sales@brahelectric.com

www.Brahelectric.com

PRODUCT DATA SHEET



PART NUMBER – RV100N: BRAH Electric, aftermarket direct replacement neutrals, to be used for neutral assembly kit, suitable for use with Siemens/ITE/Gould RV 30-100A bus plugs

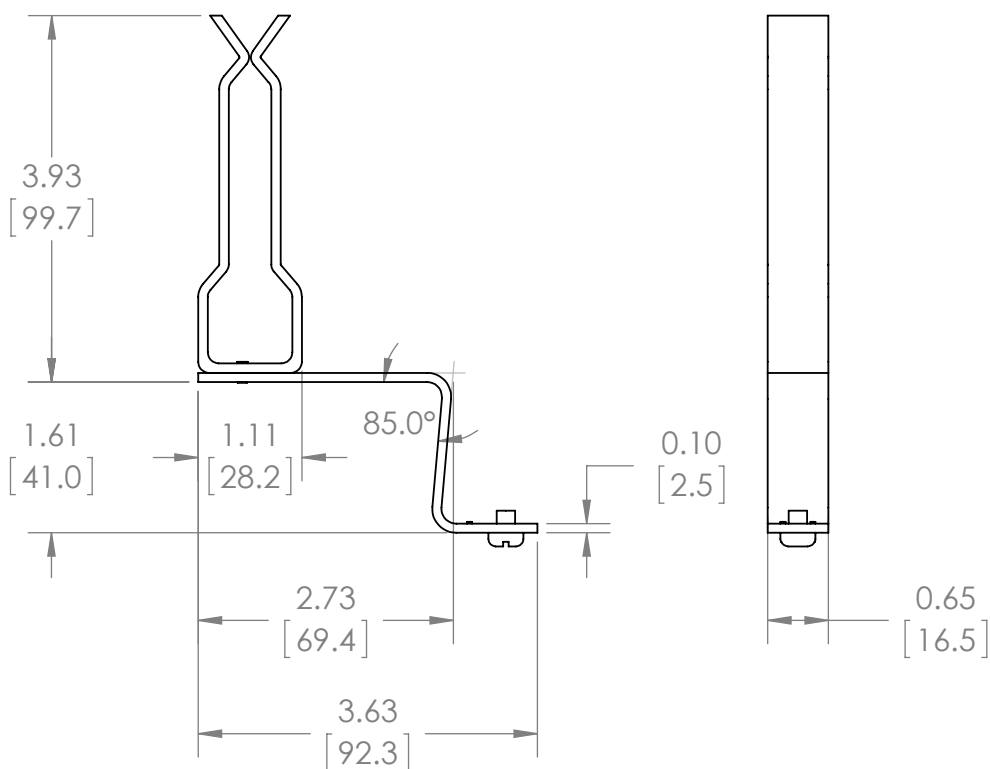
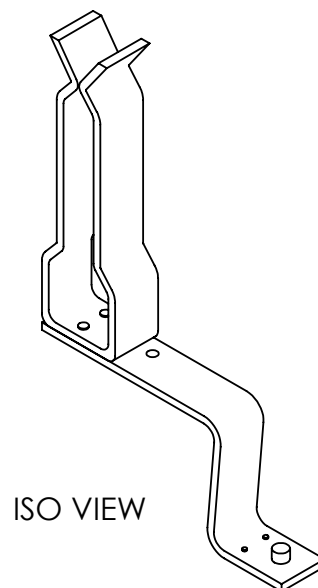
Bus Plug Accessories
PART NO. RV100N

PRODUCT SPECIFICATIONS

Manufacturer	BRAH Electric
Sub-Category	Bus Plug Parts
Family	XL-U
Type	NEUT
Group	Neutrals
Type For	RV
Amperage Min	30
Amperage Max	100

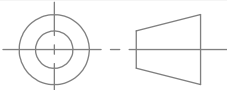

Warranty: All Products sold by BRAH Electric are guaranteed to be free of defect for a period of one year, under the condition that the product has been installed and operated properly. All items proven defective within the one year period will be replaced by BRAH Electric. In the event that we cannot provide a direct replacement, your monies will be refunded in full. We are not responsible for any consequential losses or damages outside of the defective product as well as any replacements or repairs performed by another party without our written authorization from BRAH Electric.

REVISIONS				
ZONE	REV.	DESCRIPTION	DATE	APPROVED



WWW.BRAHELECTRIC.COM, 855-355-2724

*NOTE: BRAH ELECTRIC BUS PLUG ACCESORIES RV100N AFTERMARKET DIRECT REPLACEMENT NEUTRALS, TO BE USED FOR NEUTRAL ASSEMBLY KIT, SUITABLE FOR USE WITH SIEMENS/ITE/GOULD RV 30-100A BUS PLUGS

 THIRD ANGLE PROJECTION	UNLESS OTHERWISE NOTED	 BRAH Electric	
	ALL DIMENSIONS ARE IN INCHES METRIC UNITS ARE DISPLAYED BENEATH IN [MM.]		BUS PLUG ACCESORIES
PROPRIETARY AND CONFIDENTIAL THE INFORMATION CONTAINED IN THIS DRAWING IS THE SOLE PROPERTY OF BRAH ELECTRIC. ANY REPRODUCTION IN PART OR AS A WHOLE WITHOUT THE WRITTEN PERMISSION OF BRAH ELECTRIC IS PROHIBITED.	MATERIAL		
	FINISH		
	DO NOT SCALE DRAWING		
	SIZE A	DWG. NO. RV100N	REV. A
	SCALE: 1:2	WEIGHT: 3.2 LBS	SHEET 1 OF 1