

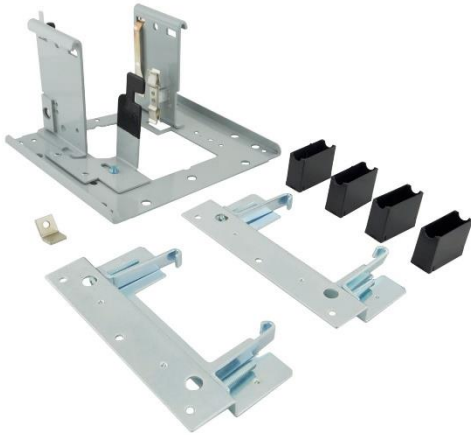


CONTACT US @ 855-355-2724

E-Mail: Sales@brahelectric.com

www.Brahelectric.com

PRODUCT DATA SHEET



BUS PLUGS

Picture is for reference only,
Actual Kit may vary slightly

PART NUMBER- SB1:

BRAH Electric direct replacement/aftermarket conversion kit with ground for General Electric, Spectra Series, 600Volt max used on 30Amp - 100Amp rated bus plugs; directly replaces OEM part ACSB1G and SLSB1G and will convert breaker/fusible style ARMOR CLAD or SPECTRA LOW-AMP style bus plugs into SPECTRA style bus plugs; used only on Spectra Series bus duct and busway systems.

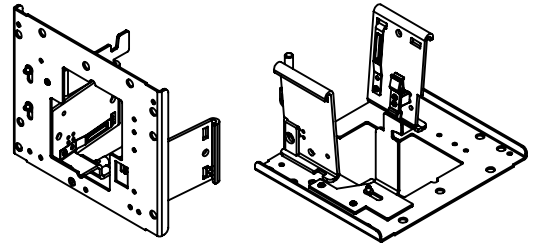
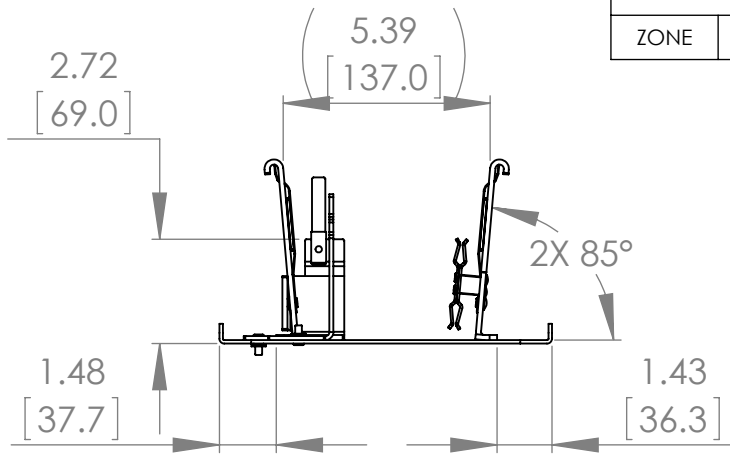
PRODUCT SPECIFICATIONS

Manufacturer	BRAH Electric
Sub-Category	Conversion Kits
Family	Spectra
Type	SB1
Group	Bus Plug Parts
OEM Manufacturer	General Electric
Amperage Min	30
Amperage Max	100
Voltage Max	600

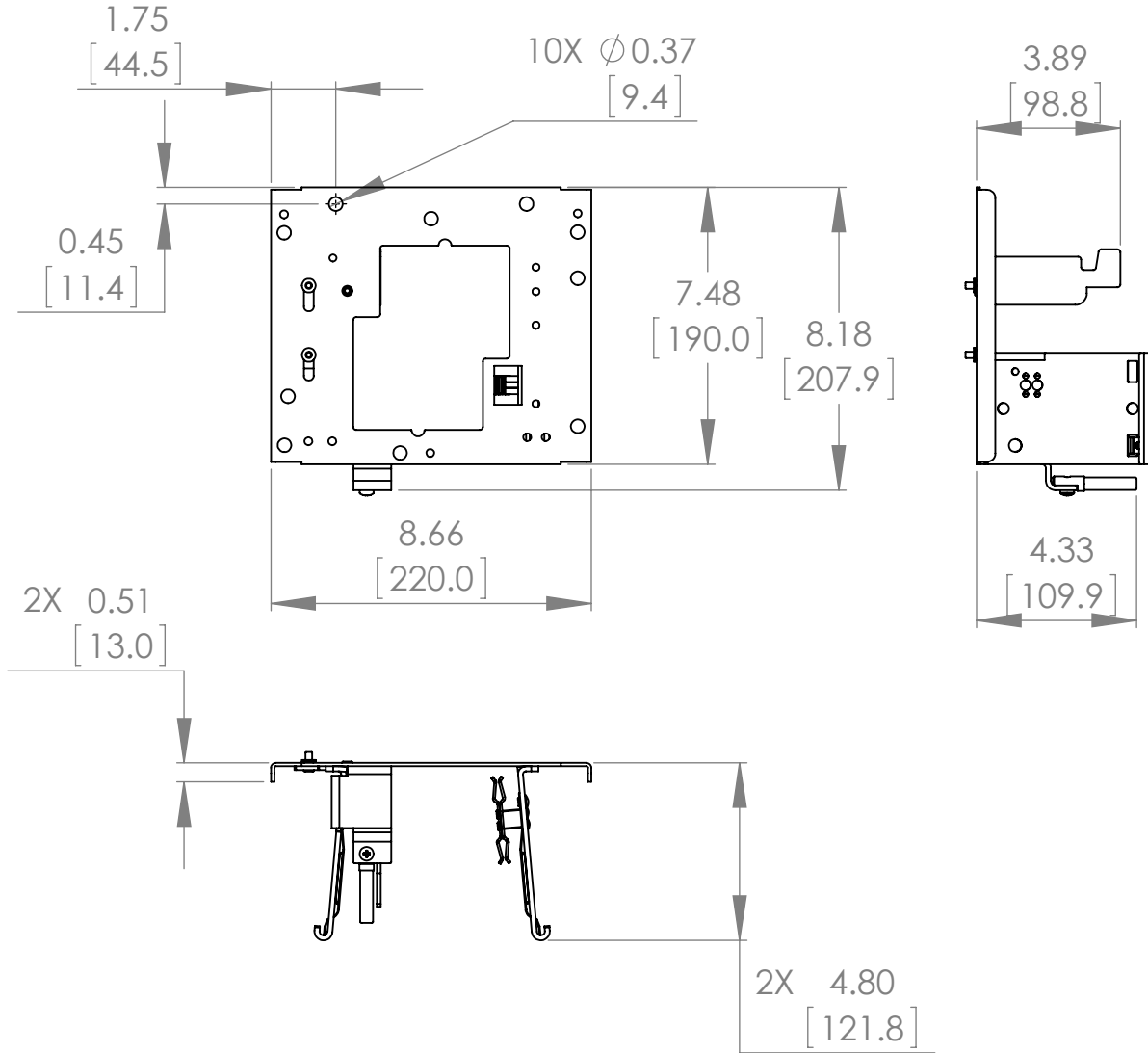
Warranty: All Products sold by BRAH Electric are guaranteed to be free of defect for a period of two years, under the condition that the product has been installed and operated properly. All items proven defective within the one year period will be replaced by BRAH Electric. In the event that we cannot provide a direct replacement, your monies will be refunded in full. We are not responsible for any consequential losses or damages outside of the defective product as well as any replacements or repairs performed by another party without our written authorization from BRAH Electric.

REVISIONS

ZONE	REV.	DESCRIPTION	DATE	APPROVED
------	------	-------------	------	----------



ISO VIEW



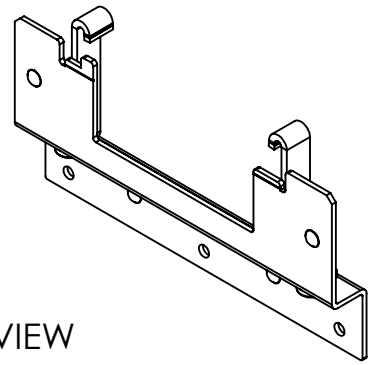
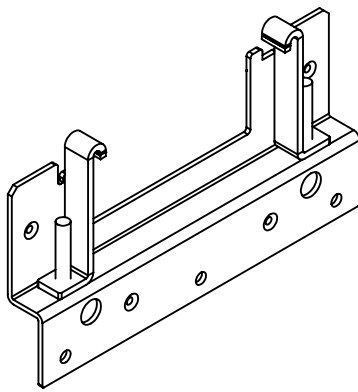
WWW.BRAHELECTRIC.COM, 855-355-2724

* NOTE: BRAH ELECTRIC CONVERSION KITS ARE A DIRECT REPLACEMENT FOR GENERAL ELECTRIC, SPECTRA SERIES, TYPE ACSB, 600V MAX, WITH GROUND, FOR USE WITH 30A-100A RATED BUS PLUGS.

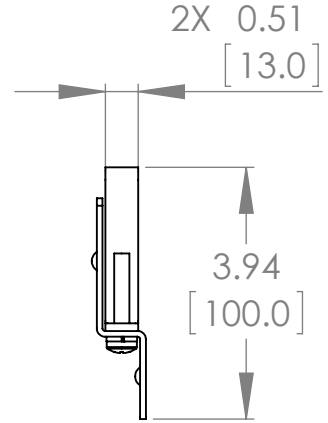
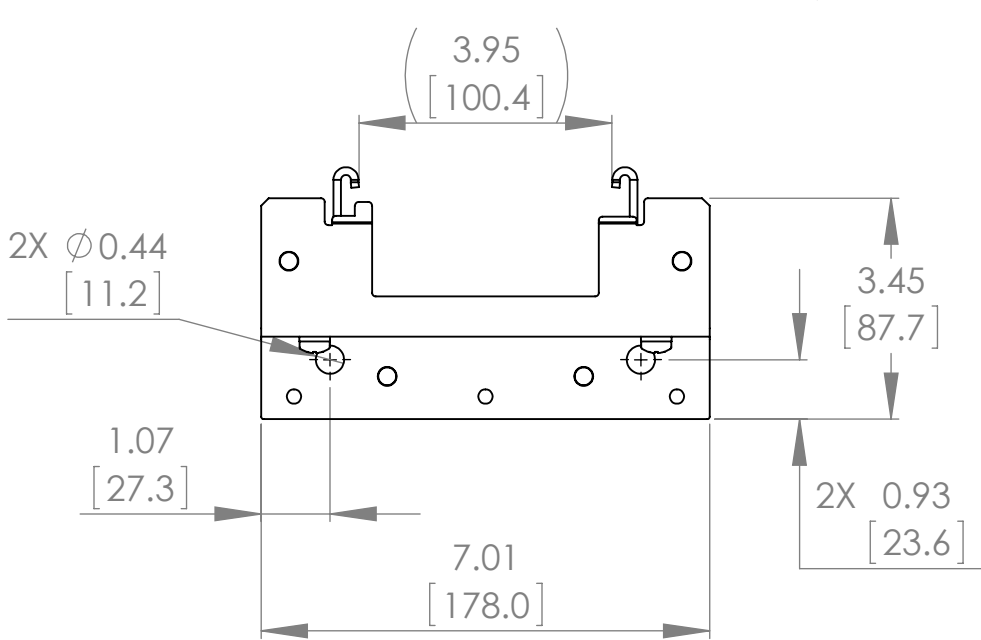
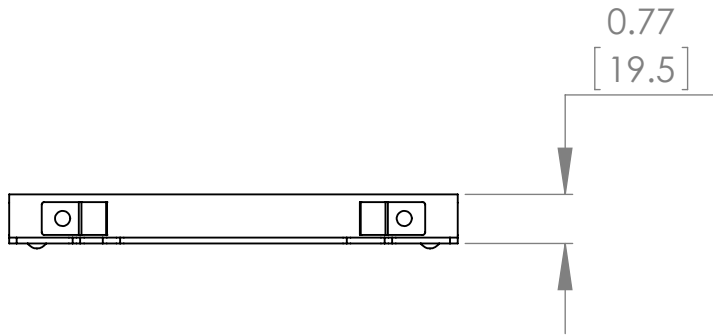
<p>THIRD ANGLE PROJECTION</p>	<p>UNLESS OTHERWISE NOTED ALL DIMENSIONS ARE IN INCHES METRIC UNITS ARE DISPLAYED BENEATH IN [MM.]</p>		<p>NEUTRAL KITS</p>		
	<p>PROPRIETARY AND CONFIDENTIAL</p> <p>THE INFORMATION CONTAINED IN THIS DRAWING IS THE SOLE PROPERTY OF BRAH ELECTRIC. ANY REPRODUCTION IN PART OR AS A WHOLE WITHOUT THE WRITTEN PERMISSION OF BRAH ELECTRIC IS PROHIBITED.</p>	<p>MATERIAL</p> <p>-</p>			<p>FINISH</p> <p>N/A</p>
<p>SIZE A</p>		<p>DWG. NO.</p> <p>ACSB1G</p>	<p>SCALE: 1:5</p>	<p>WEIGHT:</p>	<p>REV. A</p> <p>SHEET 1 OF 5</p>

REVISIONS

ZONE	REV.	DESCRIPTION	DATE	APPROVED
------	------	-------------	------	----------



ISO VIEW



WWW.BRAHELECTRIC.COM, 855-355-2724

* NOTE: BRAH ELECTRIC CONVERSION KITS ARE A DIRECT REPLACEMENT FOR GENERAL ELECTRIC, SPECTRA SERIES, TYPE ACSB, 600V MAX, WITH GROUND, FOR USE WITH 30A-100A RATED BUS PLUGS.

THIRD ANGLE PROJECTION

PROPRIETARY AND CONFIDENTIAL

THE INFORMATION CONTAINED IN THIS DRAWING IS THE SOLE PROPERTY OF BRAH ELECTRIC. ANY REPRODUCTION IN PART OR AS A WHOLE WITHOUT THE WRITTEN PERMISSION OF BRAH ELECTRIC IS PROHIBITED.

UNLESS OTHERWISE NOTED

ALL DIMENSIONS ARE IN INCHES
METRIC UNITS ARE DISPLAYED
BENEATH IN [MM.]

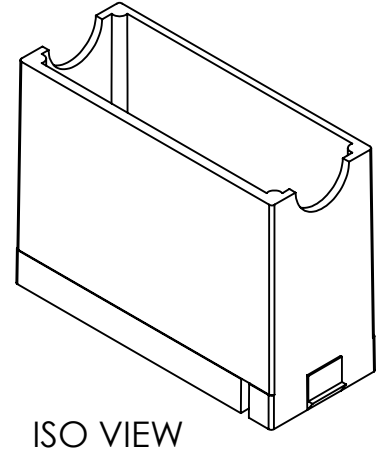
MATERIAL	-
FINISH	N/A
DO NOT SCALE DRAWING	

NEUTRAL KITS

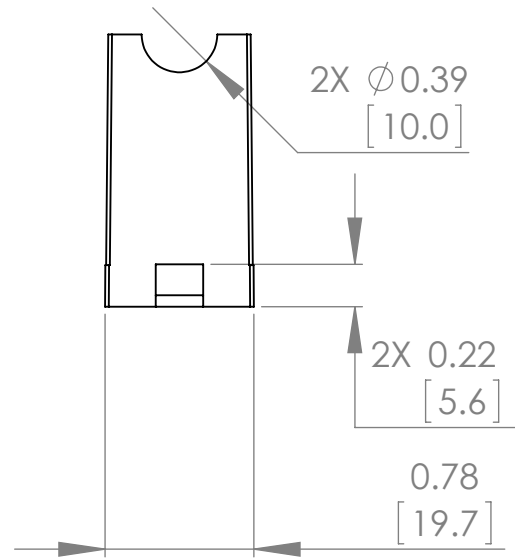
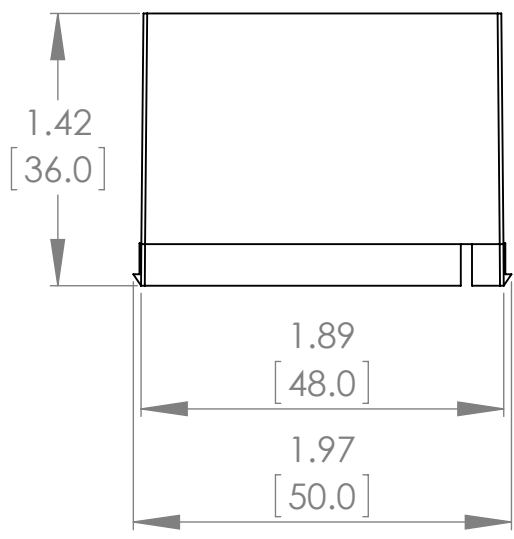
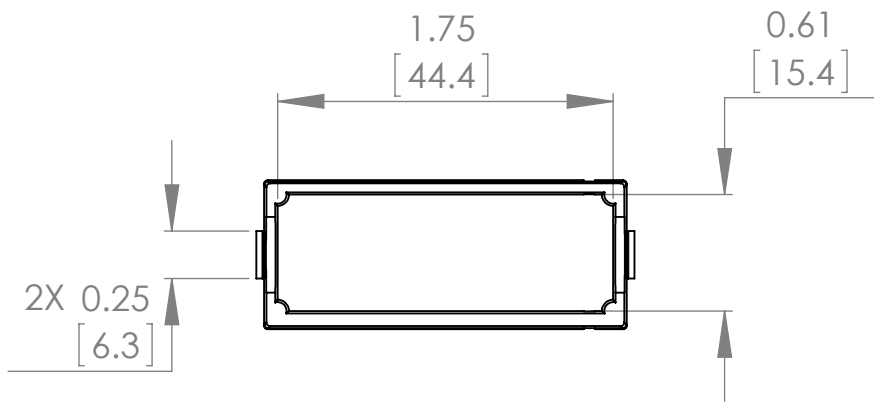
SIZE A	DWG. NO. ACSB1G	REV. A
SCALE:1:3	WEIGHT:	SHEET 2 OF 5

REVISIONS

ZONE	REV.	DESCRIPTION	DATE	APPROVED
------	------	-------------	------	----------



ISO VIEW



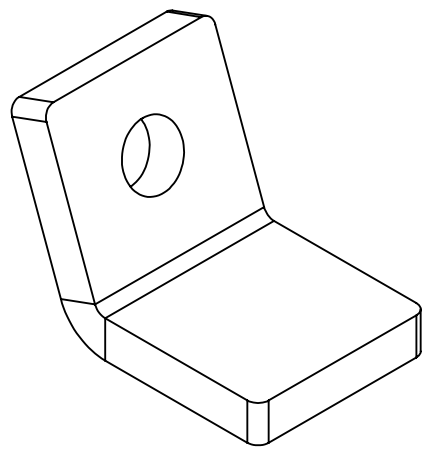
WWW.BRAHELECTRIC.COM, 855-355-2724

* NOTE: BRAH ELECTRIC CONVERSION KITS ARE A DIRECT REPLACEMENT FOR GENERAL ELECTRIC, SPECTRA SERIES, TYPE ACSB, 600V MAX, WITH GROUND, FOR USE WITH 30A-100A RATED BUS PLUGS.

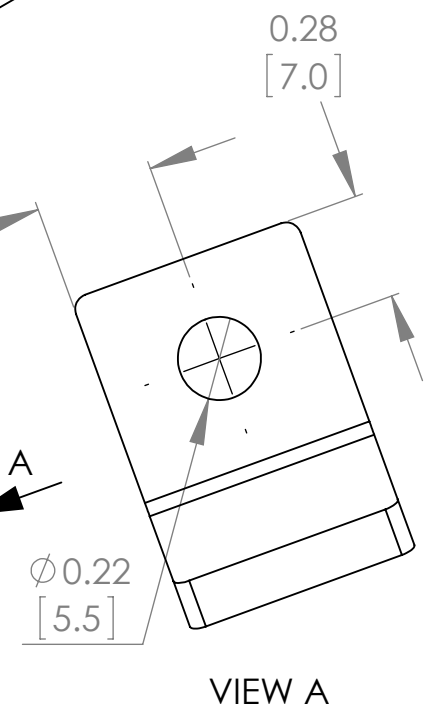
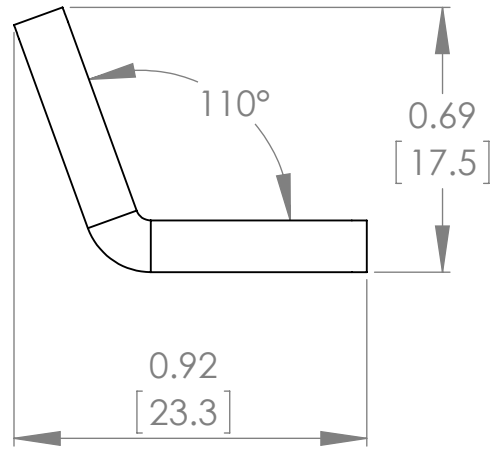
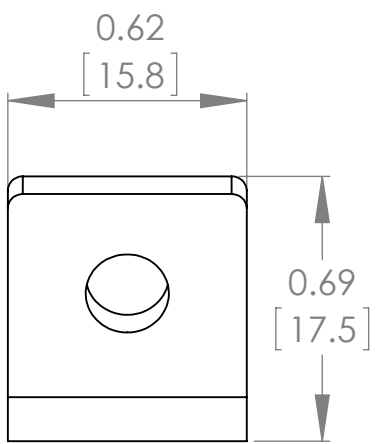
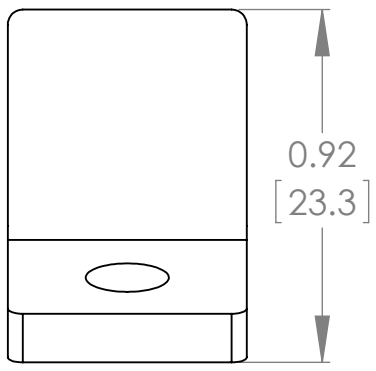
<p>THIRD ANGLE PROJECTION</p>	<p>UNLESS OTHERWISE NOTED</p> <p>ALL DIMENSIONS ARE IN INCHES METRIC UNITS ARE DISPLAYED BENEATH IN [MM.]</p>			
	<p>PROPRIETARY AND CONFIDENTIAL</p> <p>THE INFORMATION CONTAINED IN THIS DRAWING IS THE SOLE PROPERTY OF BRAH ELECTRIC. ANY REPRODUCTION IN PART OR AS A WHOLE WITHOUT THE WRITTEN PERMISSION OF BRAH ELECTRIC IS PROHIBITED.</p>			<p>MATERIAL</p> <p>-</p>
<p>FINISH</p> <p>N/A</p>	<p>DO NOT SCALE DRAWING</p>	<p>SIZE A DWG. NO. ACSB1G</p>	<p>REV. A</p>	
		<p>SCALE: 1:1</p>	<p>WEIGHT:</p>	<p>SHEET 3 OF 5</p>

REVISIONS

ZONE	REV.	DESCRIPTION	DATE	APPROVED
------	------	-------------	------	----------



ISO VIEW



VIEW A

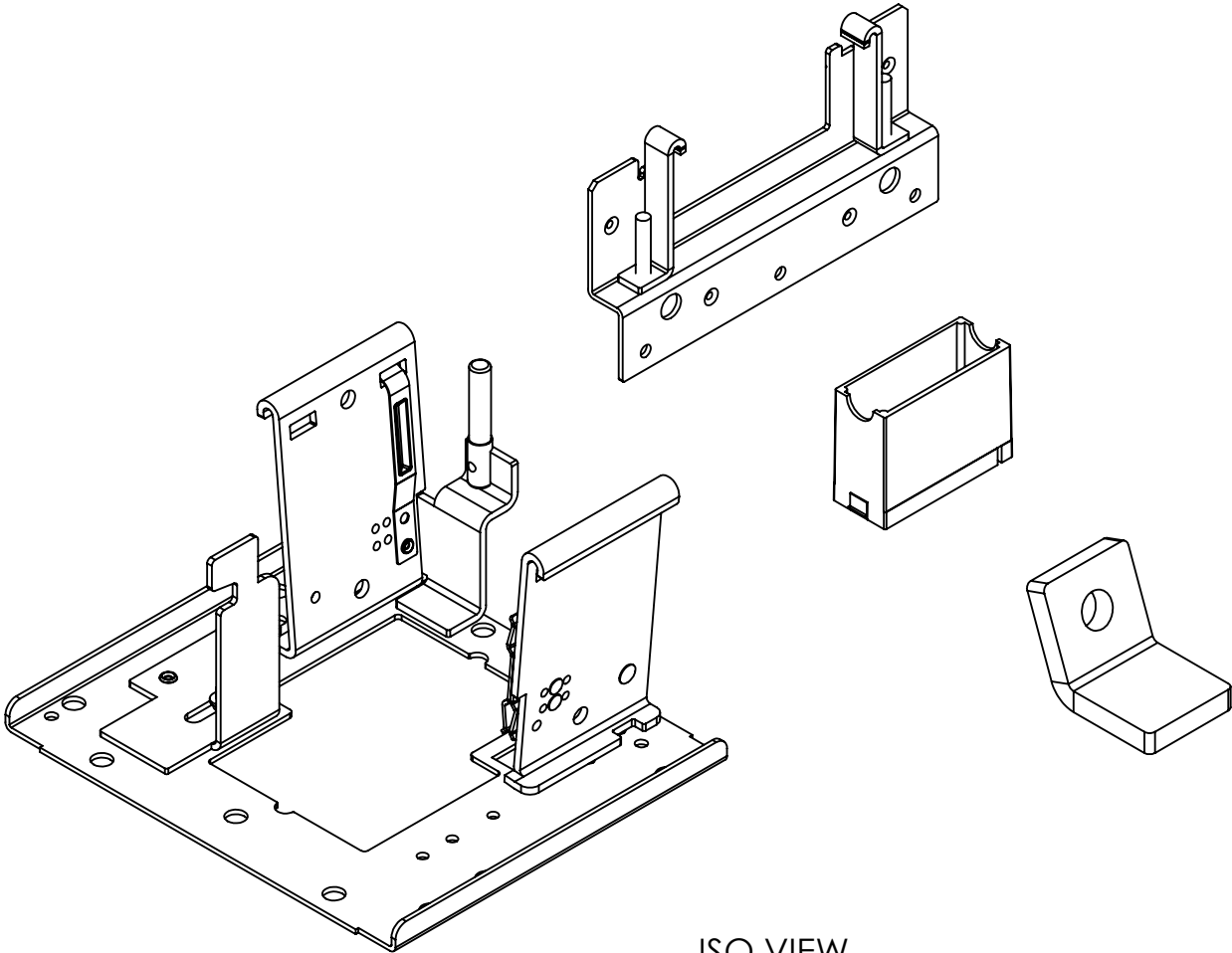
WWW.BRAHELECTRIC.COM, 855-355-2724

* NOTE: BRAH ELECTRIC CONVERSION KITS ARE A DIRECT REPLACEMENT FOR GENERAL ELECTRIC, SPECTRA SERIES, TYPE ACSB, 600V MAX, WITH GROUND, FOR USE WITH 30A-100A RATED BUS PLUGS.

<p>THIRD ANGLE PROJECTION</p>	<p>UNLESS OTHERWISE NOTED</p> <p>ALL DIMENSIONS ARE IN INCHES METRIC UNITS ARE DISPLAYED BENEATH IN [MM.]</p>			
	<p>PROPRIETARY AND CONFIDENTIAL</p> <p>THE INFORMATION CONTAINED IN THIS DRAWING IS THE SOLE PROPERTY OF BRAH ELECTRIC. ANY REPRODUCTION IN PART OR AS A WHOLE WITHOUT THE WRITTEN PERMISSION OF BRAH ELECTRIC IS PROHIBITED.</p>			<p>MATERIAL</p> <p>-</p>
<p>FINISH</p> <p>N/A</p>	<p>DO NOT SCALE DRAWING</p>	<p>SIZE A</p>	<p>DWG. NO.</p> <p>ACSB1G</p>	<p>REV.</p> <p>A</p>
		<p>SCALE:2:1</p>	<p>WEIGHT:</p>	<p>SHEET 4 OF 5</p>

REVISIONS

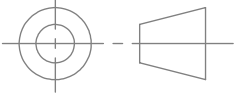

ZONE	REV.	DESCRIPTION	DATE	APPROVED
------	------	-------------	------	----------



ISO VIEW

WWW.BRAHELECTRIC.COM, 855-355-2724

* NOTE: BRAH ELECTRIC CONVERSION KITS ARE A DIRECT REPLACEMENT FOR GENERAL ELECTRIC, SPECTRA SERIES, TYPE ACSB, 600V MAX, WITH GROUND, FOR USE WITH 30A-100A RATED BUS PLUGS.

 <p>THIRD ANGLE PROJECTION</p>	<p>UNLESS OTHERWISE NOTED</p> <p>ALL DIMENSIONS ARE IN INCHES METRIC UNITS ARE DISPLAYED BENEATH IN [MM.]</p>			
	<p>PROPRIETARY AND CONFIDENTIAL</p> <p>THE INFORMATION CONTAINED IN THIS DRAWING IS THE SOLE PROPERTY OF BRAH ELECTRIC. ANY REPRODUCTION IN PART OR AS A WHOLE WITHOUT THE WRITTEN PERMISSION OF BRAH ELECTRIC IS PROHIBITED.</p>			
<p>MATERIAL</p> <p>-</p>		<p>FINISH</p> <p>N/A</p>		<p>SIZE A</p>
<p>DO NOT SCALE DRAWING</p>		<p>SCALE: 1:3</p>		<p>DWG. NO. ACSB1G</p>
		<p>WEIGHT:</p>		<p>REV. A</p>
		<p>SHEET 5 OF 5</p>		