

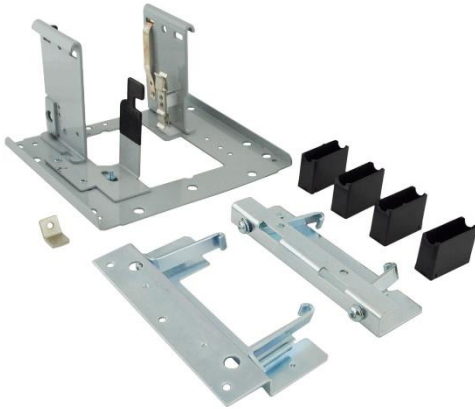


CONTACT US @ 855-355-2724

E-Mail: Sales@brahelectric.com

www.Brahelectric.com

PRODUCT DATA SHEET



BUS PLUGS

Picture is for reference only,
Actual Kit may vary slightly

PART NUMBER- SB4:

BRAH Electric direct replacement/aftermarket conversion kit with ground for General Electric, Spectra Series, 600Volt max used on 110Amp - 250Amp rated bus plugs, directly replaces OEM parts ACSB4G and SLSB4G and will convert fusible/breaker style ARMOR CLAD or SPECTRA LOW-AMP style bus plugs into SPECTRA style bus plugs; used only on Spectra Series bus duct and busway systems.

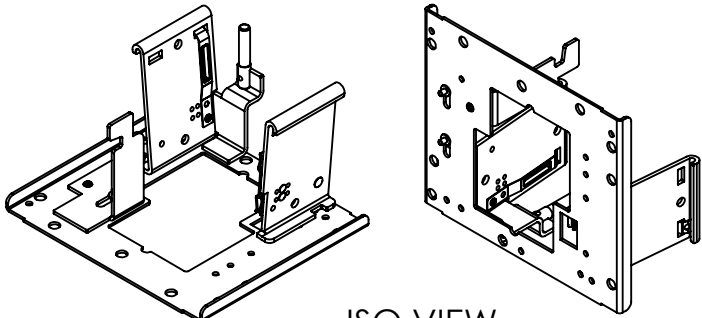
PRODUCT SPECIFICATIONS

| | |
|------------------|------------------|
| Manufacturer | BRAH Electric |
| Sub-Category | Conversion Kits |
| Family | Spectra |
| Type | SB4 |
| Group | Bus Plug Parts |
| OEM Manufacturer | General Electric |
| Amperage Min | 110 |
| Amperage Max | 250 |
| Voltage Max | 600 |

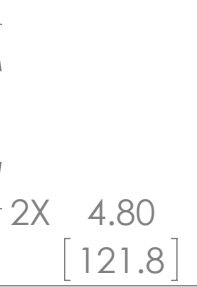
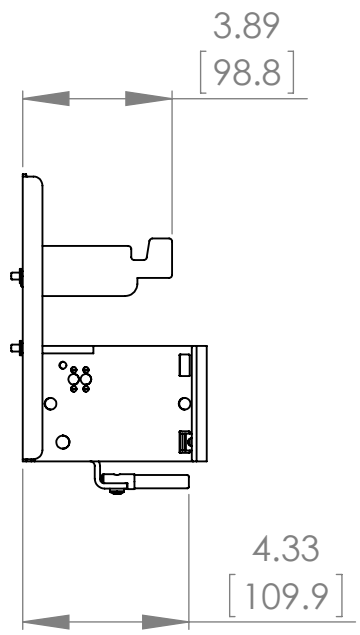
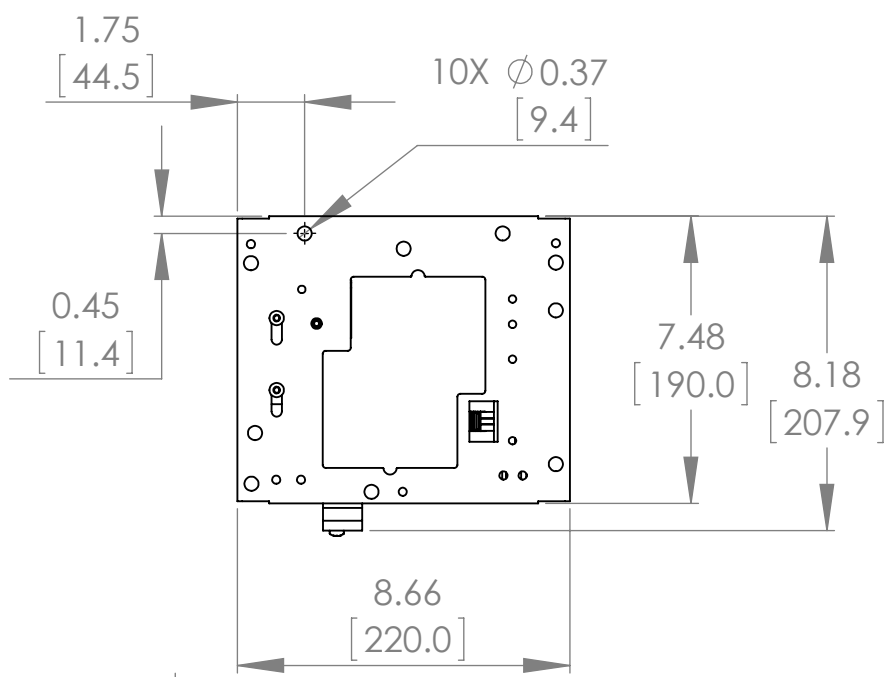
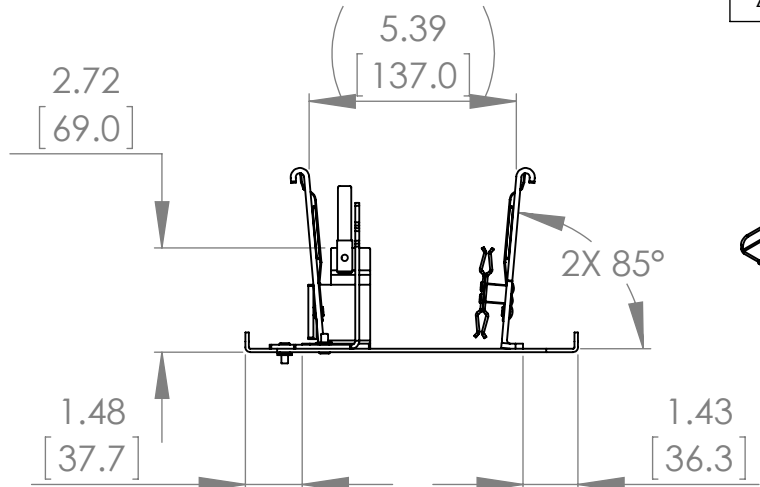
Warranty: All Products sold by BRAH Electric are guaranteed to be free of defect for a period of two years, under the condition that the product has been installed and operated properly. All items proven defective within the one year period will be replaced by BRAH Electric. In the event that we cannot provide a direct replacement, your monies will be refunded in full. We are not responsible for any consequential losses or damages outside of the defective product as well as any replacements or repairs performed by another party without our written authorization from BRAH Electric.

REVISIONS

| ZONE | REV. | DESCRIPTION | DATE | APPROVED |
|------|------|-------------|------|----------|
|------|------|-------------|------|----------|



ISO VIEW



WWW.BRAHELECTRIC.COM, 855-355-2724

* NOTE: BRAH ELECTRIC CONVERSION KITS ARE A DIRECT REPLACEMENT FOR GENERAL ELECTRIC, SPECTRA SERIES SERIES, TYPE ACSB, 600V MAX, WITH GROUND, FOR USE WITH 110A-250A RATED BUS PLUGS.

THIRD ANGLE PROJECTION

PROPRIETARY AND CONFIDENTIAL

THE INFORMATION CONTAINED IN THIS DRAWING IS THE SOLE PROPERTY OF BRAH ELECTRIC. ANY REPRODUCTION IN PART OR AS A WHOLE WITHOUT THE WRITTEN PERMISSION OF BRAH ELECTRIC IS PROHIBITED.

UNLESS OTHERWISE NOTED

ALL DIMENSIONS ARE IN INCHES
METRIC UNITS ARE DISPLAYED
BENEATH IN [MM.]

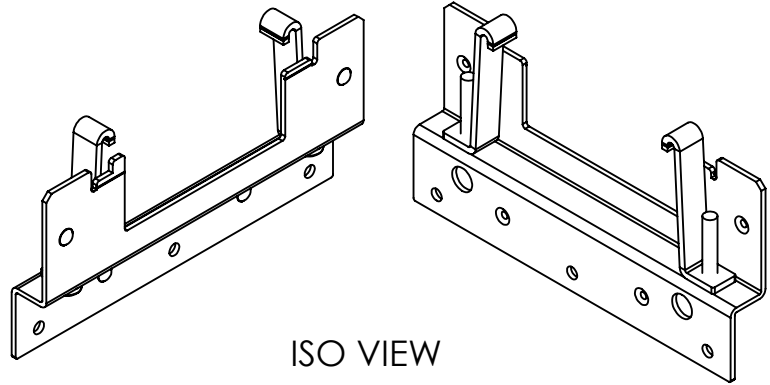
| | |
|----------------------|-----|
| MATERIAL | - |
| FINISH | N/A |
| DO NOT SCALE DRAWING | |

NEUTRAL KITS

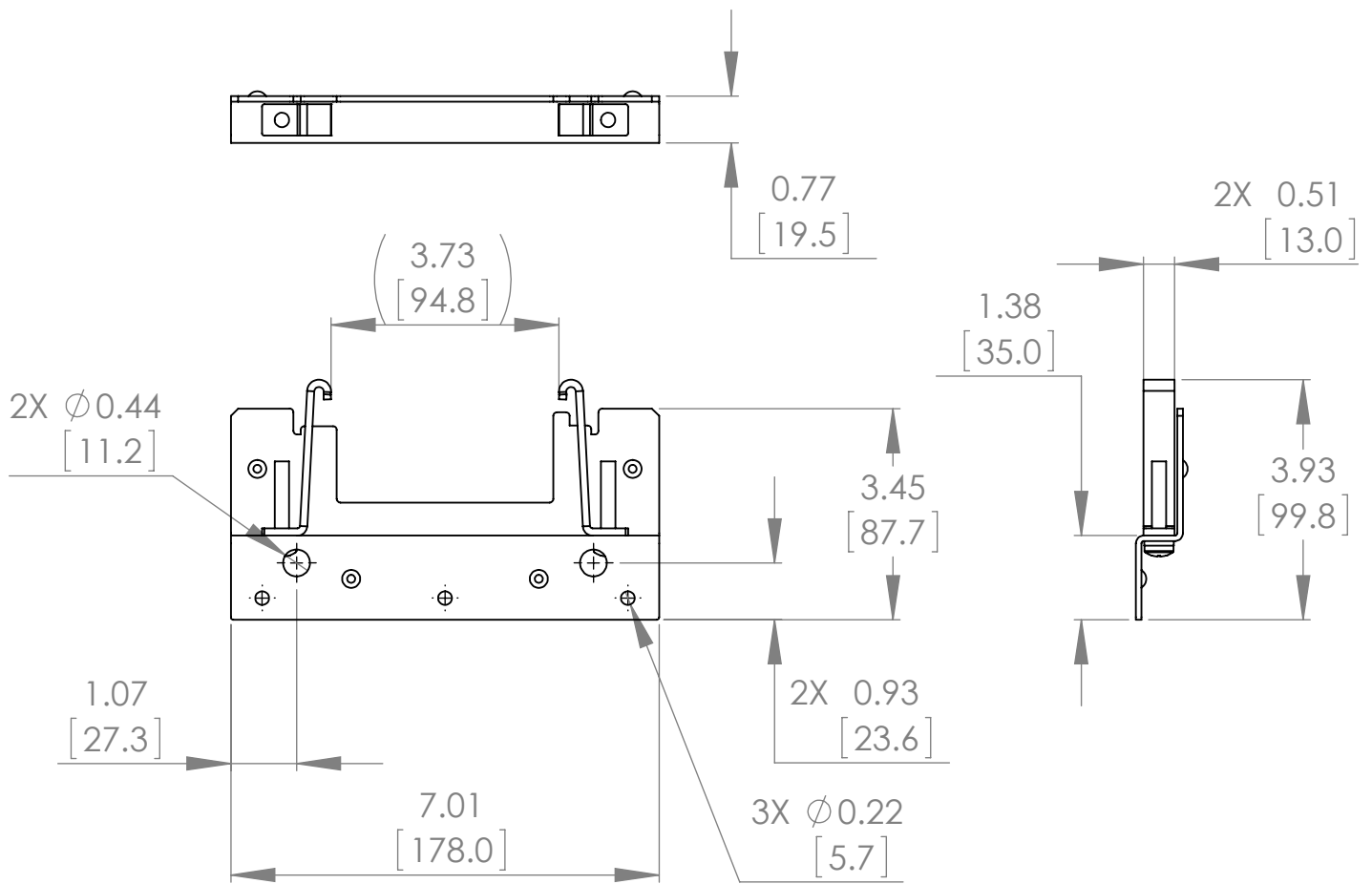
| | | |
|------------|---------------|--------------|
| SIZE | DWG. NO. | REV. |
| A | ACSB4G | A |
| SCALE: 1:5 | WEIGHT: | SHEET 1 OF 5 |

REVISIONS

| ZONE | REV. | DESCRIPTION | DATE | APPROVED |
|------|------|-------------|------|----------|
|------|------|-------------|------|----------|

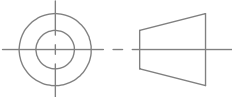



ISO VIEW



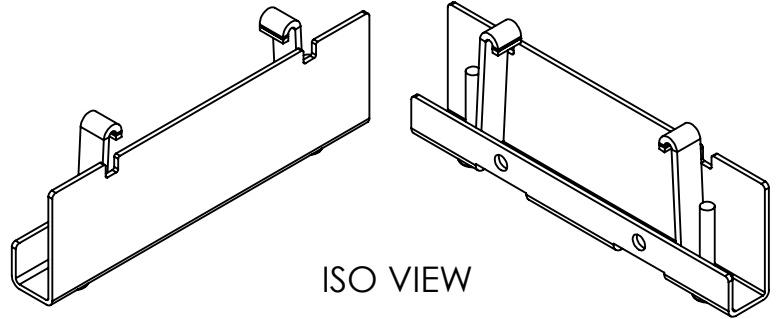
WWW.BRAHELECTRIC.COM, 855-355-2724

* NOTE: BRAH ELECTRIC CONVERSION KITS ARE A DIRECT REPLACEMENT FOR GENERAL ELECTRIC, SPECTRA SERIES SERIES, TYPE ACSB, 600V MAX, WITH GROUND, FOR USE WITH 110A-250A RATED BUS PLUGS.

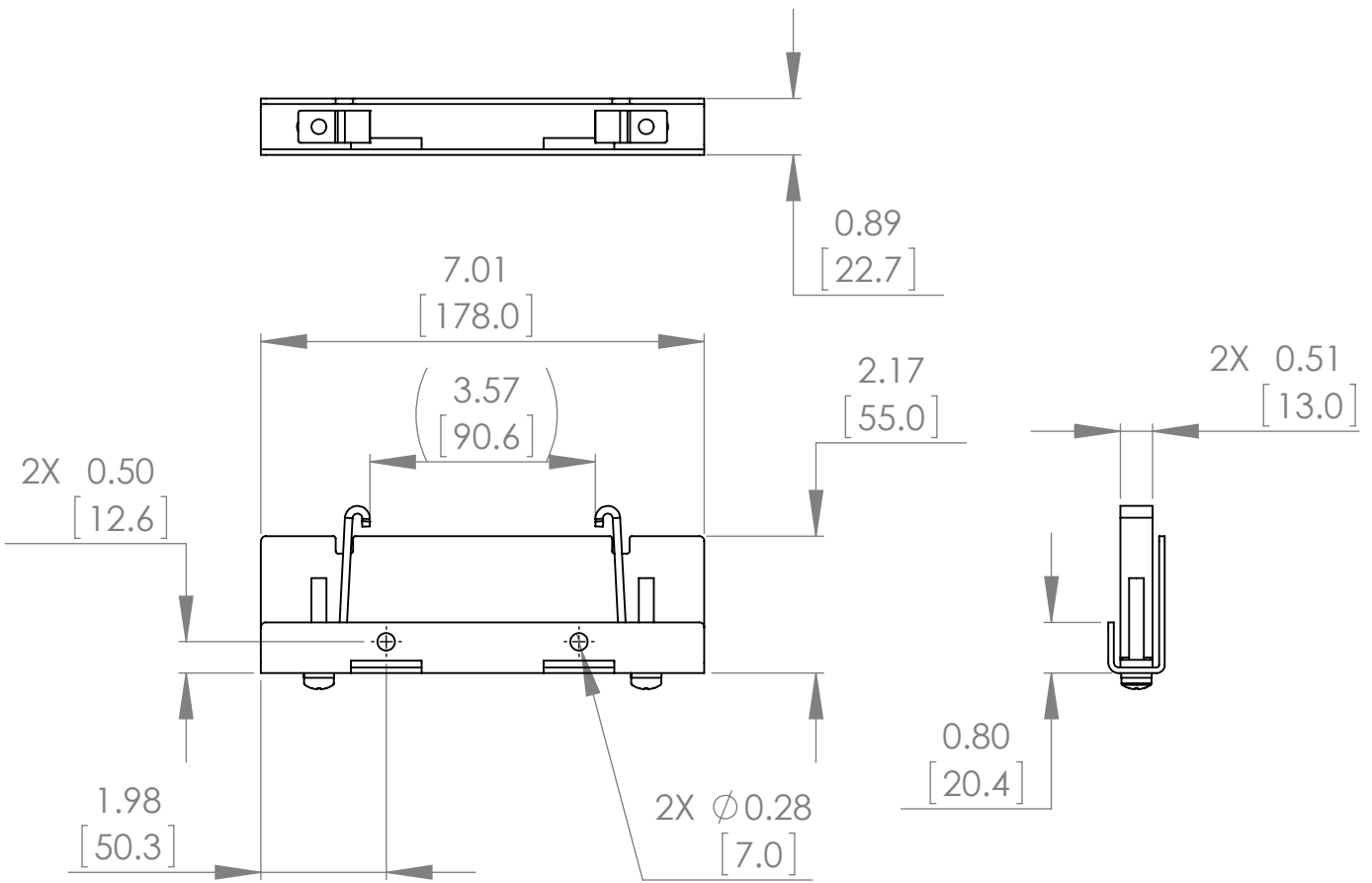
| | | | | |
|---|---|---|----------------------|--------------------------|
|  <p>THIRD ANGLE PROJECTION</p> | <p>UNLESS OTHERWISE NOTED</p> <p>ALL DIMENSIONS ARE IN INCHES METRIC UNITS ARE DISPLAYED BENEATH IN [MM.]</p> |  <p>BRAH Electric</p> | | |
| | <p>PROPRIETARY AND CONFIDENTIAL</p> <p>THE INFORMATION CONTAINED IN THIS DRAWING IS THE SOLE PROPERTY OF BRAH ELECTRIC. ANY REPRODUCTION IN PART OR AS A WHOLE WITHOUT THE WRITTEN PERMISSION OF BRAH ELECTRIC IS PROHIBITED.</p> | | | <p>MATERIAL</p> <p>-</p> |
| <p>FINISH</p> <p>N/A</p> | <p>DO NOT SCALE DRAWING</p> | <p>SIZE A DWG. NO.</p> <p>ACSB4G</p> | <p>REV. A</p> | |
| | | <p>SCALE:1:3</p> | <p>WEIGHT:</p> | <p>SHEET 2 OF 5</p> |

REVISIONS

| ZONE | REV. | DESCRIPTION | DATE | APPROVED |
|------|------|-------------|------|----------|
|------|------|-------------|------|----------|



ISO VIEW



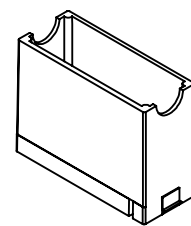
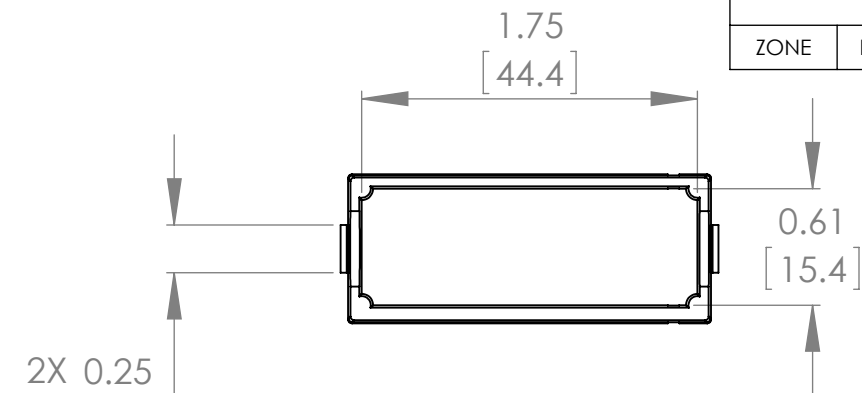
WWW.BRAHELECTRIC.COM, 855-355-2724

* NOTE: BRAH ELECTRIC CONVERSION KITS ARE A DIRECT REPLACEMENT FOR GENERAL ELECTRIC, SPECTRA SERIES SERIES, TYPE ACSB, 600V MAX, WITH GROUND, FOR USE WITH 110A-250A RATED BUS PLUGS.

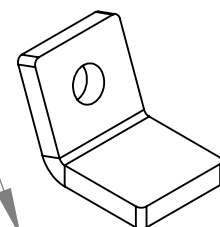
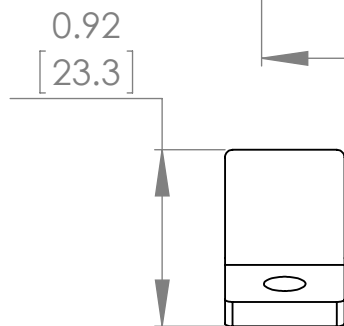
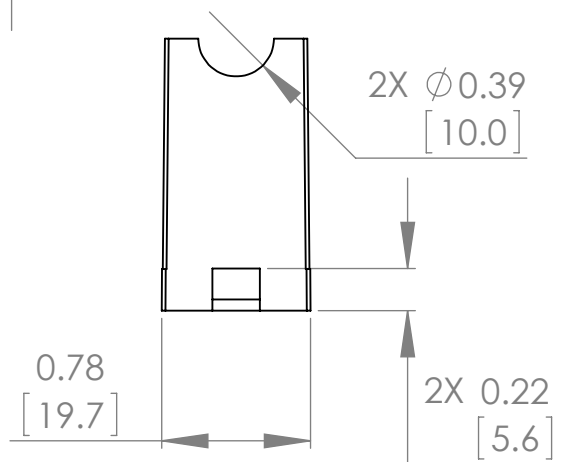
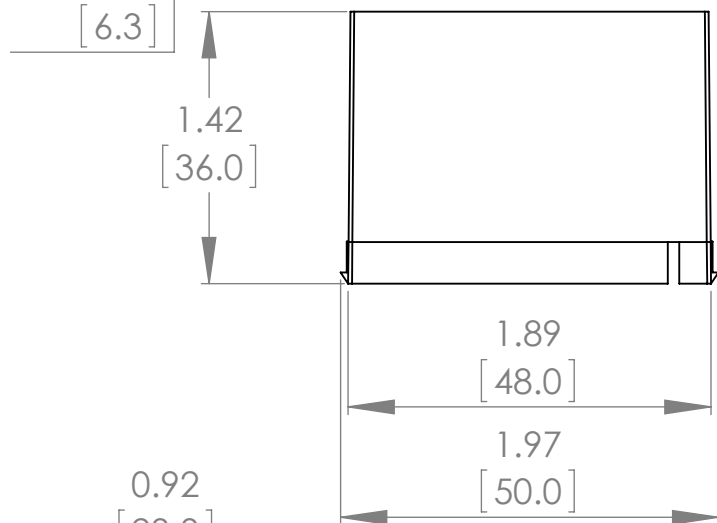
| | | | | |
|-------------------------------|---|---|----------------------|--------------------------|
| <p>THIRD ANGLE PROJECTION</p> | <p>UNLESS OTHERWISE NOTED</p> <p>ALL DIMENSIONS ARE IN INCHES METRIC UNITS ARE DISPLAYED BENEATH IN [MM.]</p> | | | |
| | <p>PROPRIETARY AND CONFIDENTIAL</p> <p>THE INFORMATION CONTAINED IN THIS DRAWING IS THE SOLE PROPERTY OF BRAH ELECTRIC. ANY REPRODUCTION IN PART OR AS A WHOLE WITHOUT THE WRITTEN PERMISSION OF BRAH ELECTRIC IS PROHIBITED.</p> | | | <p>MATERIAL</p> <p>-</p> |
| <p>FINISH</p> <p>N/A</p> | <p>DO NOT SCALE DRAWING</p> | <p>SIZE A DWG. NO.</p> <p>ACSB4G</p> | <p>REV. A</p> | |
| | | <p>SCALE: 1:3</p> | <p>WEIGHT:</p> | <p>SHEET 3 OF 5</p> |

REVISIONS

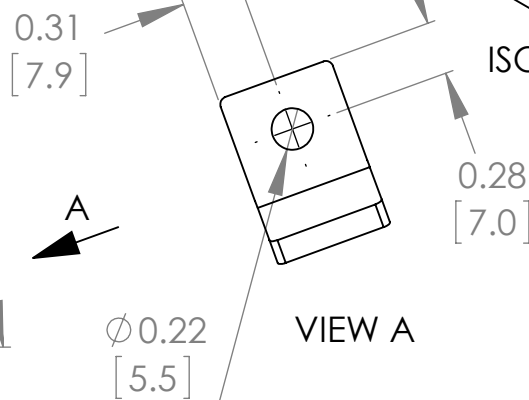
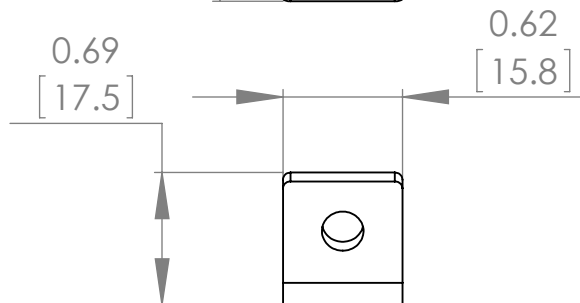
| ZONE | REV. | DESCRIPTION | DATE | APPROVED |
|------|------|-------------|------|----------|
|------|------|-------------|------|----------|



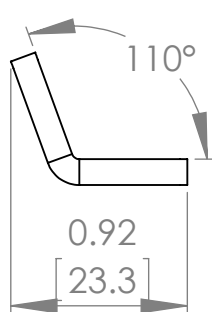
ISO VIEW



ISO VIEW



VIEW A



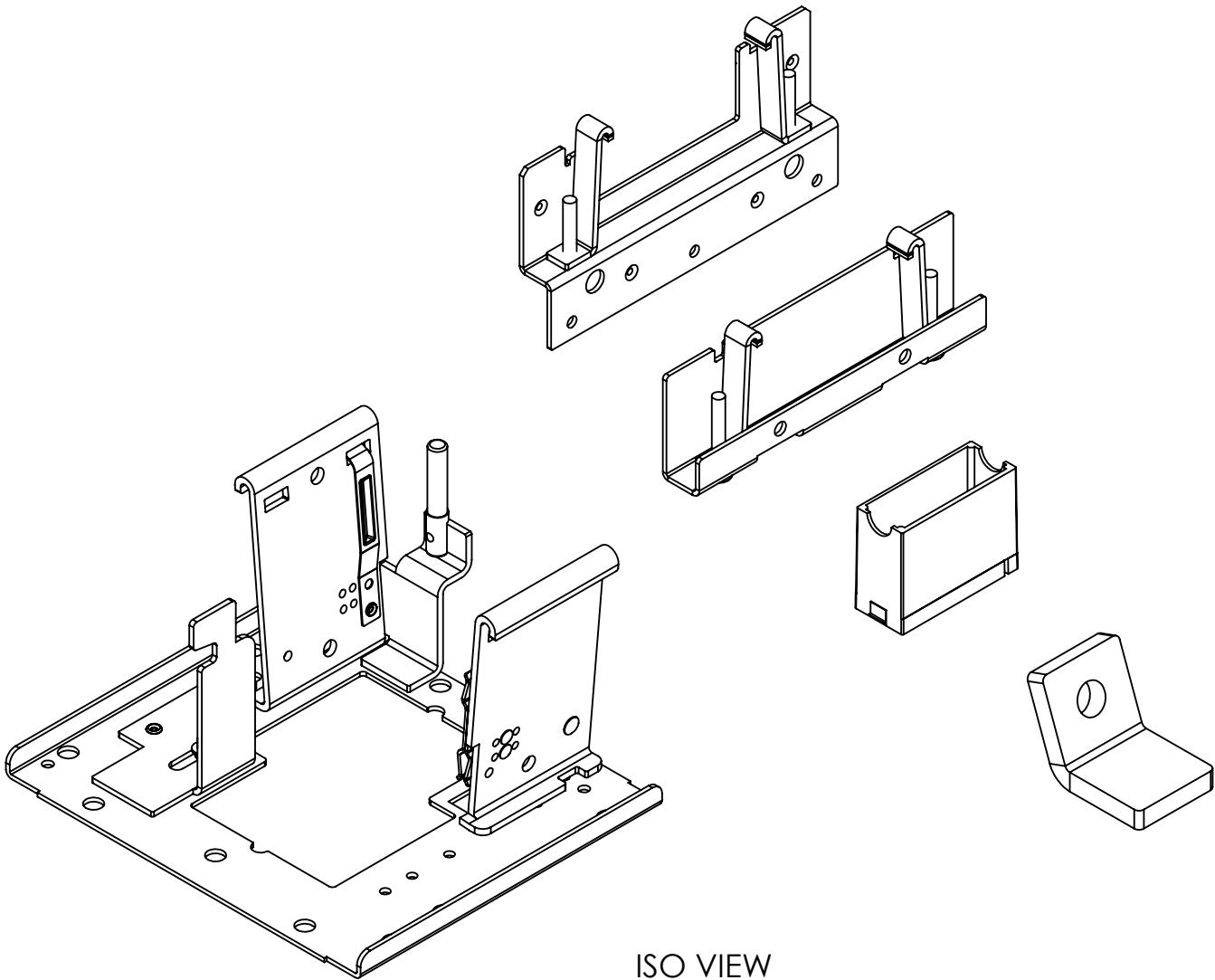
WWW.BRAHELECTRIC.COM, 855-355-2724

* NOTE: BRAH ELECTRIC CONVERSION KITS ARE A DIRECT REPLACEMENT FOR GENERAL ELECTRIC, SPECTRA SERIES SERIES, TYPE ACSB, 600V MAX, WITH GROUND, FOR USE WITH 110A-250A RATED BUS PLUGS.

| | | | | |
|-------------------------------|--|----------------------|------------------------|--------------------------|
| <p>THIRD ANGLE PROJECTION</p> | <p>UNLESS OTHERWISE NOTED</p> <p>ALL DIMENSIONS ARE IN INCHES METRIC UNITS ARE DISPLAYED BENEATH IN [MM.]</p> | | | |
| | <p>PROPRIETARY AND CONFIDENTIAL</p> <p>THE INFORMATION CONTAINED IN THIS DRAWING IS THE SOLE PROPERTY OF BRAH ELECTRIC. ANY REPRODUCTION IN PART OR AS A WHOLE WITHOUT THE WRITTEN PERMISSION OF BRAH ELECTRIC IS PROHIBITED.</p> | | | <p>MATERIAL</p> <p>-</p> |
| <p>FINISH</p> <p>N/A</p> | <p>DO NOT SCALE DRAWING</p> | <p>SIZE A</p> | <p>DWG. NO. ACSB4G</p> | <p>REV. A</p> |
| | | <p>SCALE: 1:1</p> | <p>WEIGHT:</p> | <p>SHEET 4 OF 5</p> |

REVISIONS

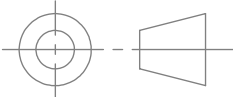

| ZONE | REV. | DESCRIPTION | DATE | APPROVED |
|------|------|-------------|------|----------|
|------|------|-------------|------|----------|



ISO VIEW

* NOTE: BRAH ELECTRIC CONVERSION KITS ARE A DIRECT REPLACEMENT FOR GENERAL ELECTRIC, SPECTRA SERIES SERIES, TYPE ACSB, 600V MAX, WITH GROUND, FOR USE WITH 110A-250A RATED BUS PLUGS.

WWW.BRAHELECTRIC.COM, 855-355-2724

| | | | | | |
|---|--|---------------|---|---------|---------------|
|  THIRD ANGLE PROJECTION | UNLESS OTHERWISE NOTED ALL DIMENSIONS ARE IN INCHES METRIC UNITS ARE DISPLAYED BENEATH IN [MM.] | |  NEUTRAL KITS | | |
| | PROPRIETARY AND CONFIDENTIAL THE INFORMATION CONTAINED IN THIS DRAWING IS THE SOLE PROPERTY OF BRAH ELECTRIC. ANY REPRODUCTION IN PART OR AS A WHOLE WITHOUT THE WRITTEN PERMISSION OF BRAH ELECTRIC IS PROHIBITED. | MATERIAL - | | | FINISH N/A |
| DO NOT SCALE DRAWING | | | SCALE:1:3 | WEIGHT: | SHEET 5 OF 5 |