



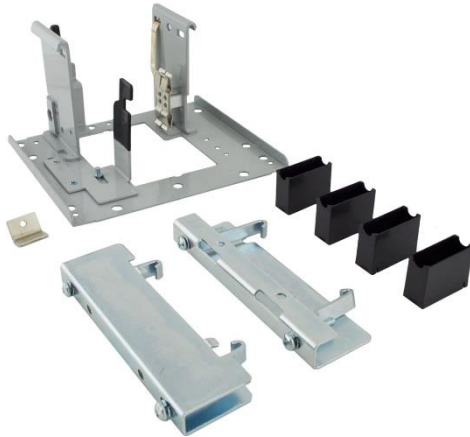
CONTACT US @ 855-355-2724

E-Mail: [Sales@brahelectric.com](mailto:Sales@brahelectric.com)

[www.Brahelectric.com](http://www.Brahelectric.com)

## PRODUCT DATA SHEET

---



### BUS PLUGS

Picture is for reference only,  
Actual Kit may vary slightly

### **PART NUMBER- SB5:**

BRAH Electric direct replacement/aftermarket conversion kit with ground for General Electric, Spectra Series, 600Volt max used on 225Amp - 800Amp rated bus plugs; directly replaces OEM parts ACSB5G and SLSB5G and will convert fusible/breaker style ARMOR CLAD or SPECTRA LOW-AMP style bus plugs into SPECTRA style bus plugs; used only on Spectra Series bus duct and busway systems.

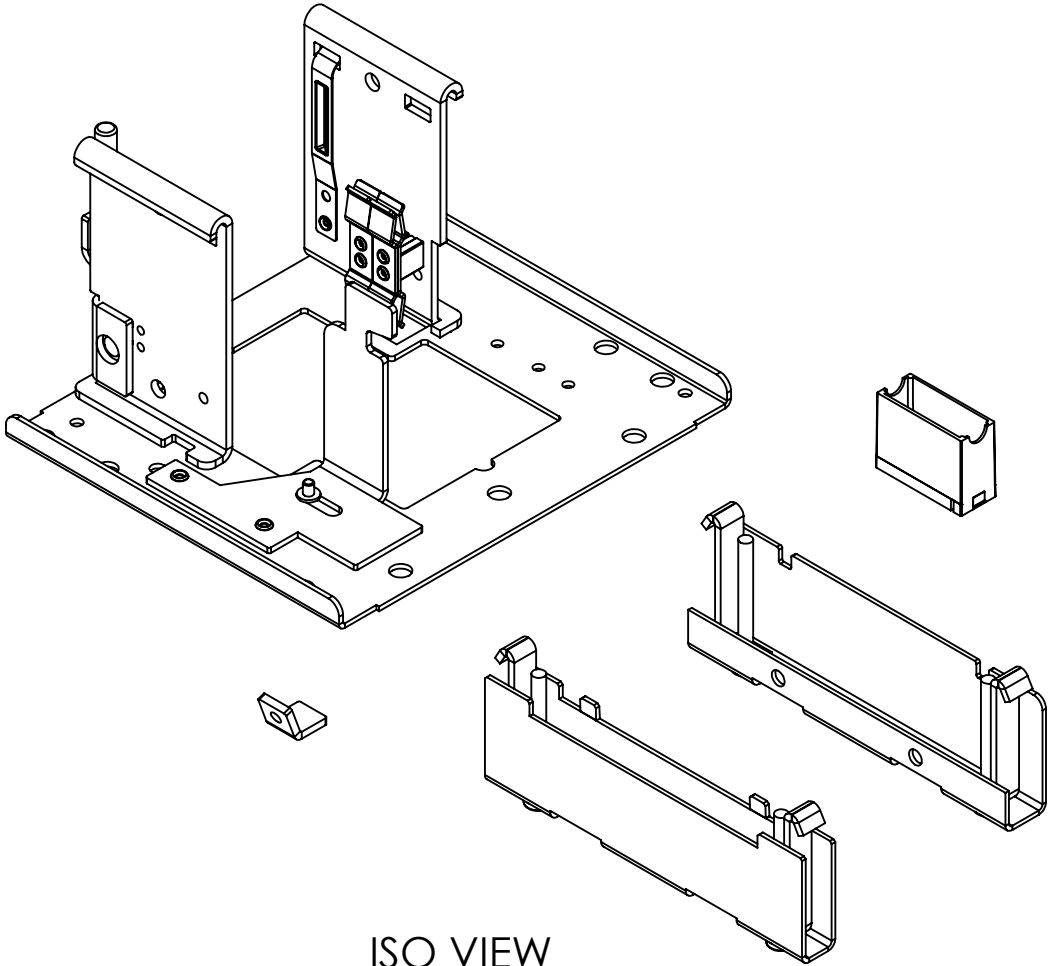
### **PRODUCT SPECIFICATIONS**

|                  |                  |
|------------------|------------------|
| Manufacturer     | BRAH Electric    |
| Sub-Category     | Conversion Kits  |
| Family           | Spectra          |
| Type             | SB5              |
| Group            | Bus Plug Parts   |
| OEM Manufacturer | General Electric |
| Amperage Min     | 225              |
| Amperage Max     | 800              |
| Voltage Max      | 600              |

**Warranty:** All Products sold by BRAH Electric are guaranteed to be free of defect for a period of two years, under the condition that the product has been installed and operated properly. All items proven defective within the one year period will be replaced by BRAH Electric. In the event that we cannot provide a direct replacement, your monies will be refunded in full. We are not responsible for any consequential losses or damages outside of the defective product as well as any replacements or repairs performed by another party without our written authorization from BRAH Electric.

REVISIONS

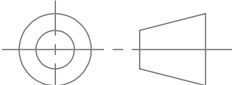

| ZONE | REV. | DESCRIPTION | DATE | APPROVED |
|------|------|-------------|------|----------|
|------|------|-------------|------|----------|



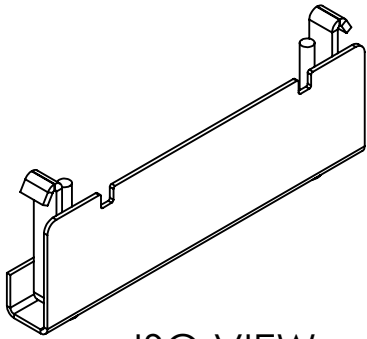
ISO VIEW

\* NOTE: BRAH ELECTRIC CONVERSION KIT, DIRECT REPLACEMENT FOR GENERAL ELECTRIC, SPECTRA SERIES, TYPE ACSB, 600V MAX, WITH GROUND, FOR USE WITH 225A-800A RATED BUS PLUGS

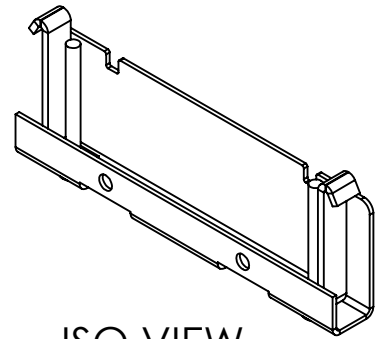
[WWW.BRAHELECTRIC.COM](http://WWW.BRAHELECTRIC.COM), 855-355-2724

|   |  |           |   |                        |
|---|--|-----------|---|------------------------|
| <br>THIRD ANGLE PROJECTION | UNLESS OTHERWISE NOTED<br>ALL DIMENSIONS ARE IN INCHES<br>METRIC UNITS ARE DISPLAYED<br>BENEATH IN [ MM. ]   |           |  |                        |
|   | PROPRIETARY AND CONFIDENTIAL<br>THE INFORMATION CONTAINED IN THIS DRAWING IS THE SOLE PROPERTY OF BRAH ELECTRIC. ANY REPRODUCTION IN PART OR AS A WHOLE WITHOUT THE WRITTEN PERMISSION OF BRAH ELECTRIC IS PROHIBITED. |           |   |                        |
| MATERIAL  |  | FINISH    |   | SIZE <b>A</b>          |
| DO NOT SCALE DRAWING  |  | N/A       |   | DWG. NO. <b>ACSB5G</b> |
|   |  |           |   | REV. <b>A</b>          |
|   |  | SCALE:1:3 |   | WEIGHT:                |
|   |  |           |   | SHEET 1 OF 6           |

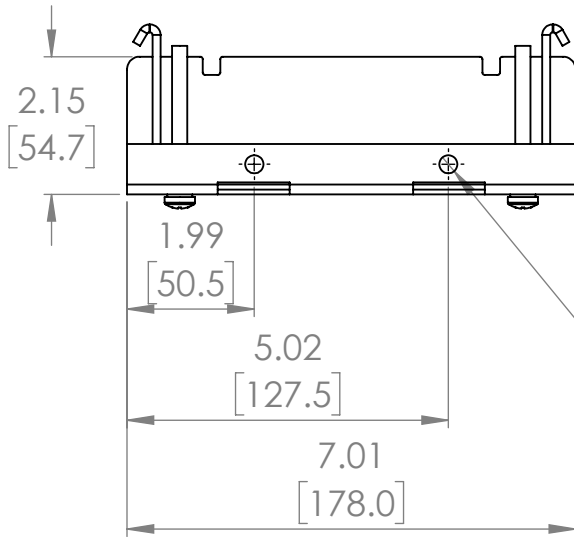
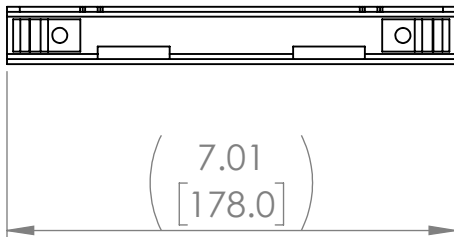
| REVISIONS |      |             |      |          |
|-----------|------|-------------|------|----------|
| ZONE      | REV. | DESCRIPTION | DATE | APPROVED |



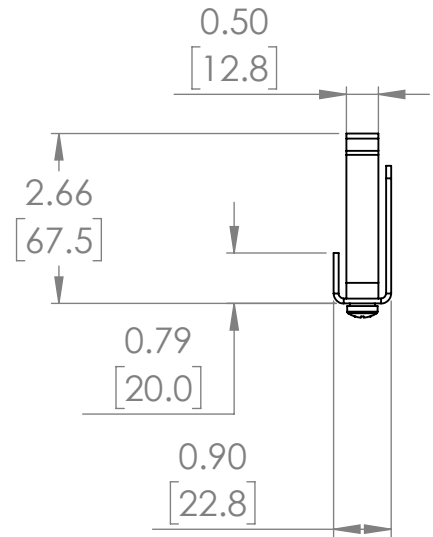
ISO VIEW



ISO VIEW



TYP  $\varnothing$  0.28 [7.2]



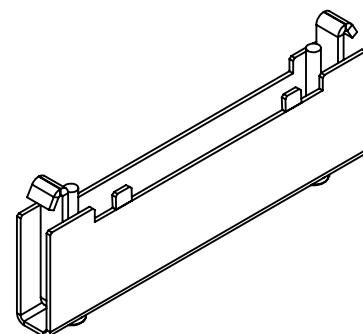
\* NOTE: BRAH ELECTRIC CONVERSION KIT DIRECT REPLACEMENT FOR GENERAL ELECTRIC, SPECTRA SERIES, TYPE ACSB, 600V MAX, WITH GROUND, FOR USE WITH 225A-800A RATED BUS PLUGS

[WWW.BRAHELECTRIC.COM](http://WWW.BRAHELECTRIC.COM), 855-355-2724

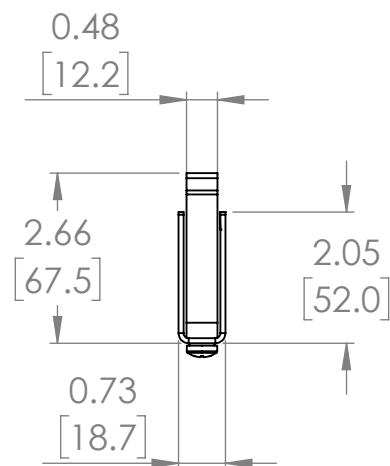
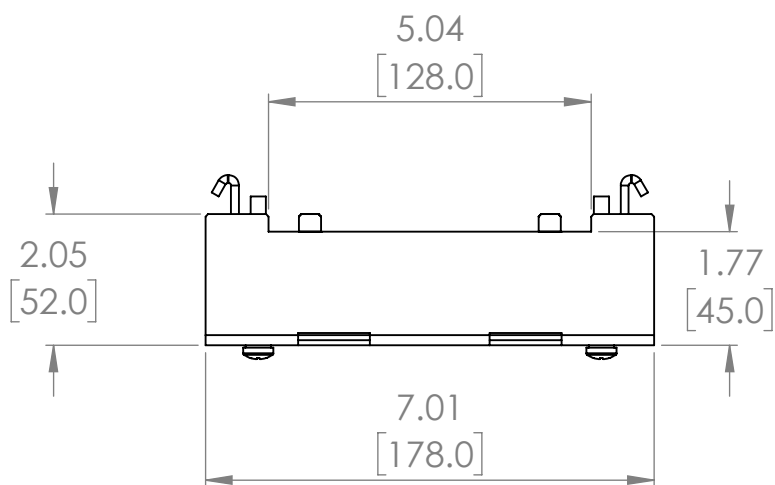
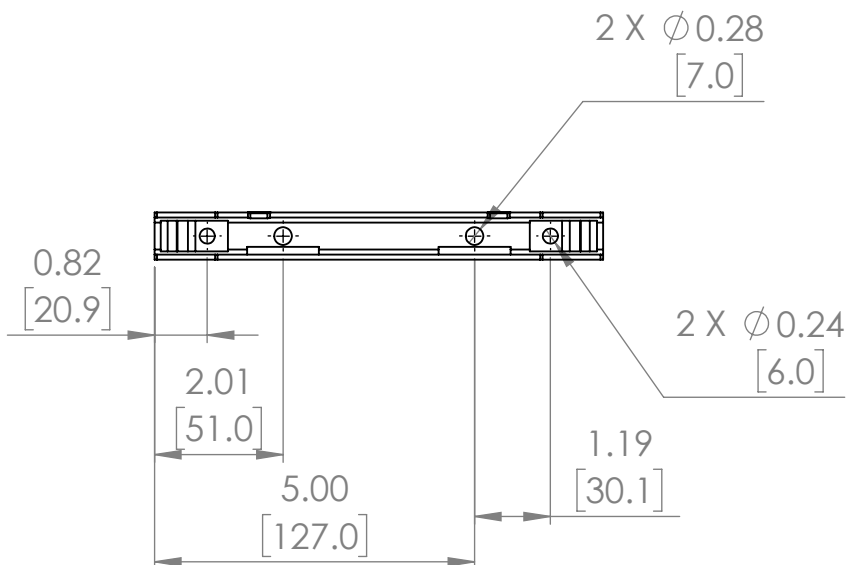
|                               |  |                      |                               |                      |
|-------------------------------|--|----------------------|-------------------------------|----------------------|
| <p>THIRD ANGLE PROJECTION</p> | <p>UNLESS OTHERWISE NOTED</p> <p>ALL DIMENSIONS ARE IN INCHES<br/>METRIC UNITS ARE DISPLAYED<br/>BENEATH IN [ MM. ]</p>  |                      |                               |                      |
|                               | <p><b>PROPRIETARY AND CONFIDENTIAL</b></p> <p>THE INFORMATION CONTAINED IN THIS DRAWING IS THE SOLE PROPERTY OF BRAH ELECTRIC. ANY REPRODUCTION IN PART OR AS A WHOLE WITHOUT THE WRITTEN PERMISSION OF BRAH ELECTRIC IS PROHIBITED.</p> |                      |                               | <p>MATERIAL</p>      |
| <p>FINISH</p> <p>N/A</p>      | <p>DO NOT SCALE DRAWING</p>  | <p>SIZE <b>A</b></p> | <p>DWG. NO. <b>ACSB5G</b></p> | <p>REV. <b>A</b></p> |
|                               |  | <p>SCALE: 1:3</p>    | <p>WEIGHT:</p>                | <p>SHEET 2 OF 6</p>  |

REVISIONS

| ZONE | REV. | DESCRIPTION | DATE | APPROVED |
|------|------|-------------|------|----------|
|------|------|-------------|------|----------|

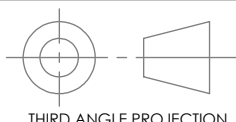


ISO VIEW



[WWW.BRAHELECTRIC.COM](http://WWW.BRAHELECTRIC.COM), 855-355-2724

\* NOTE: BRAH ELECTRIC CONVERSION KIT, DIRECT REPLACEMENT FOR GENERAL ELECTRIC, SPECTRA SERIES, TYPE ACSB, 600V MAX, WITH GROUND, FOR USE WITH 225A-800A RATED BUS PLUGS



THIRD ANGLE PROJECTION

**PROPRIETARY AND CONFIDENTIAL**

THE INFORMATION CONTAINED IN THIS DRAWING IS THE SOLE PROPERTY OF BRAH ELECTRIC. ANY REPRODUCTION IN PART OR AS A WHOLE WITHOUT THE WRITTEN PERMISSION OF BRAH ELECTRIC IS PROHIBITED.

UNLESS OTHERWISE NOTED

ALL DIMENSIONS ARE IN INCHES  
METRIC UNITS ARE DISPLAYED  
BENEATH IN [ MM. ]

MATERIAL

FINISH

N/A

DO NOT SCALE DRAWING

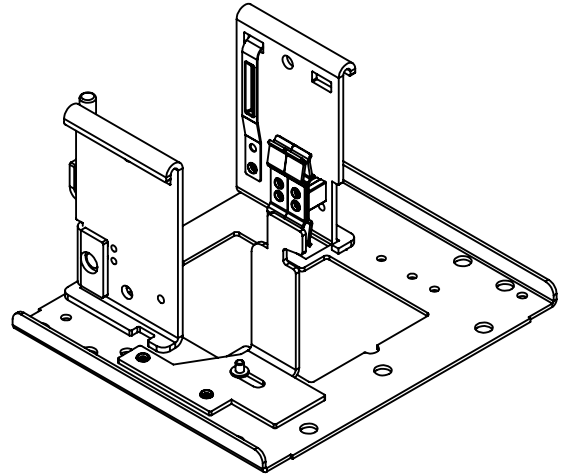
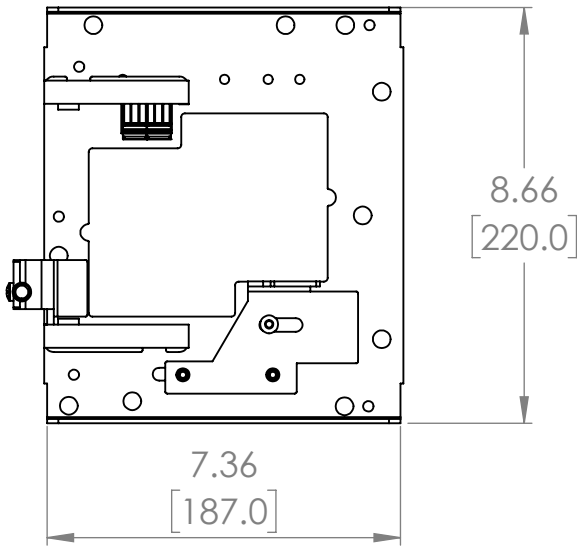


NEUTRAL KITS

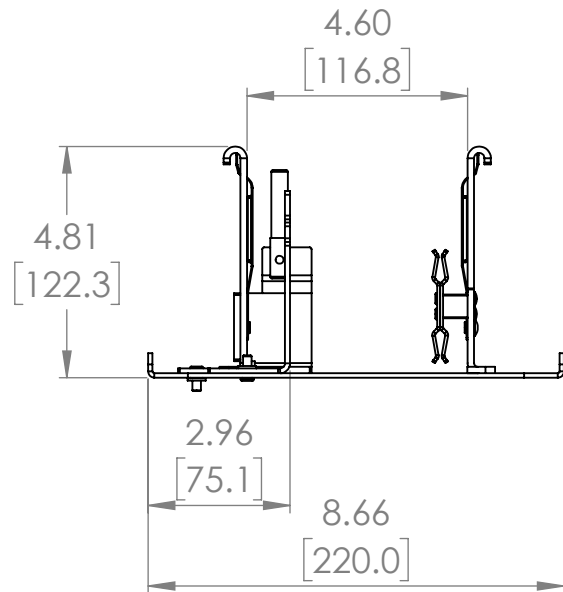
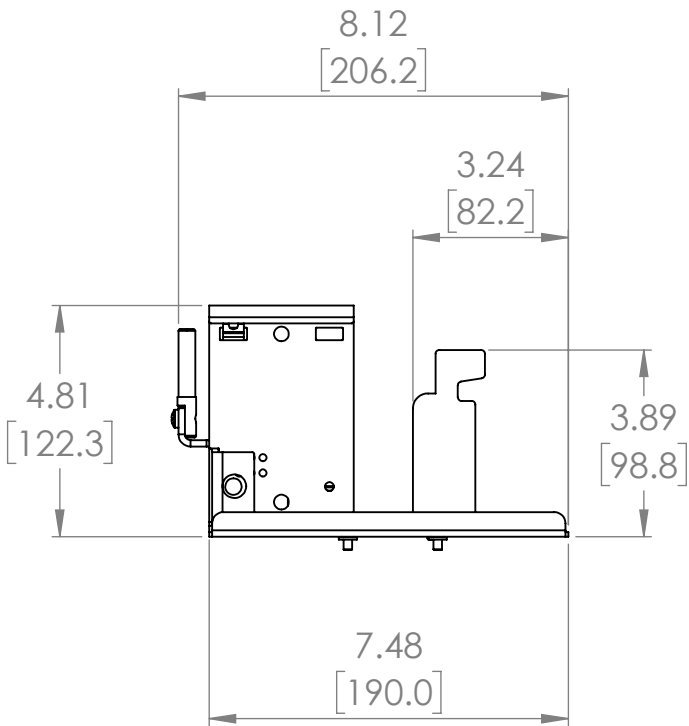
|                  |                           |                  |
|------------------|---------------------------|------------------|
| SIZE<br><b>A</b> | DWG. NO.<br><b>ACSB5G</b> | REV.<br><b>A</b> |
| SCALE: 1:3       | WEIGHT:                   | SHEET 3 OF 6     |

REVISIONS

| ZONE | REV. | DESCRIPTION | DATE | APPROVED |
|------|------|-------------|------|----------|
|------|------|-------------|------|----------|

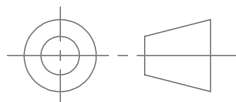


ISO VIEW



[WWW.BRAHELECTRIC.COM](http://WWW.BRAHELECTRIC.COM), 855-355-2724

\* NOTE: BRAH ELECTRIC CONVERSION KIT, DIRECT REPLACEMENT FOR GENERAL ELECTRIC, SPECTRA SERIES, TYPE ACSB, 600V MAX, WITH GROUND, FOR USE WITH 225A-800A RATED BUS PLUGS



THIRD ANGLE PROJECTION

**PROPRIETARY AND CONFIDENTIAL**

THE INFORMATION CONTAINED IN THIS DRAWING IS THE SOLE PROPERTY OF BRAH ELECTRIC. ANY REPRODUCTION IN PART OR AS A WHOLE WITHOUT THE WRITTEN PERMISSION OF BRAH ELECTRIC IS PROHIBITED.

UNLESS OTHERWISE NOTED  
ALL DIMENSIONS ARE IN INCHES  
METRIC UNITS ARE DISPLAYED  
BENEATH IN [ MM. ]

|                      |     |
|----------------------|-----|
| MATERIAL             |     |
| FINISH               | N/A |
| DO NOT SCALE DRAWING |     |

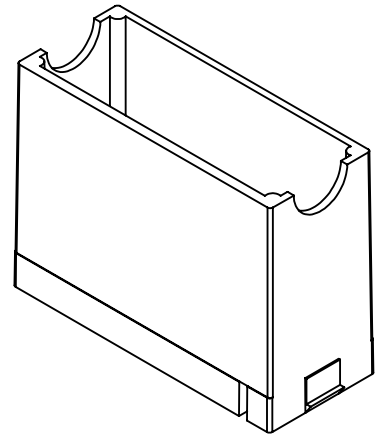


NEUTRAL KITS

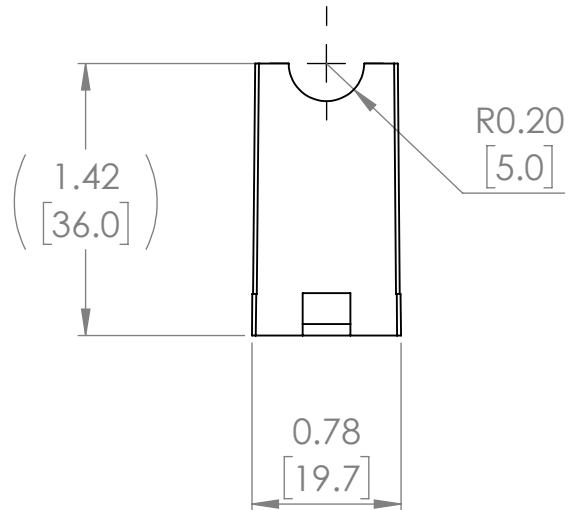
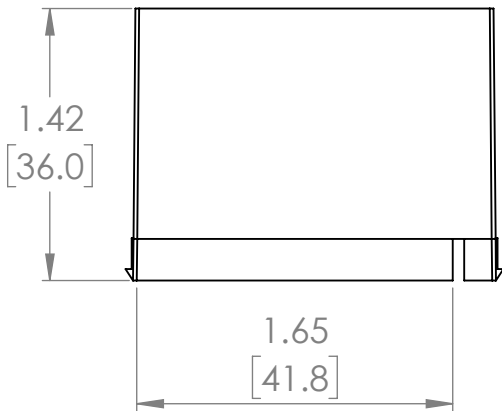
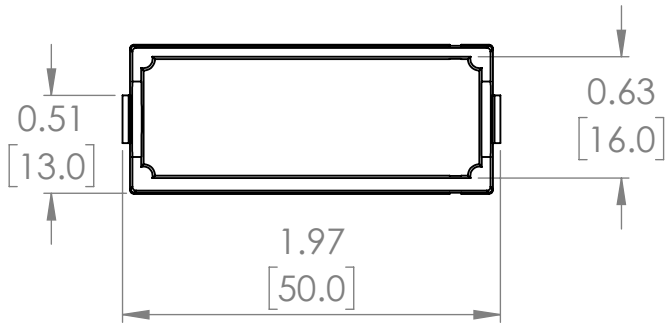
|            |          |              |
|------------|----------|--------------|
| SIZE       | DWG. NO. | REV.         |
| <b>A</b>   | ACSB5G   | <b>A</b>     |
| SCALE: 1:4 | WEIGHT:  | SHEET 4 OF 6 |

REVISIONS

| ZONE | REV. | DESCRIPTION | DATE | APPROVED |
|------|------|-------------|------|----------|
|------|------|-------------|------|----------|

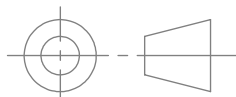


ISO VIEW



[WWW.BRAHELECTRIC.COM](http://WWW.BRAHELECTRIC.COM), 855-355-2724

\* NOTE: BRAH ELECTRIC CONVERSION KIT, DIRECT REPLACEMENT FOR GENERAL ELECTRIC, SPECTRA SERIES, TYPE ACSB, 600V MAX, WITH GROUND, FOR USE WITH 225A-800A RATED BUS PLUGS



THIRD ANGLE PROJECTION

**PROPRIETARY AND CONFIDENTIAL**

THE INFORMATION CONTAINED IN THIS DRAWING IS THE SOLE PROPERTY OF BRAH ELECTRIC. ANY REPRODUCTION IN PART OR AS A WHOLE WITHOUT THE WRITTEN PERMISSION OF BRAH ELECTRIC IS PROHIBITED.

UNLESS OTHERWISE NOTED

ALL DIMENSIONS ARE IN INCHES  
METRIC UNITS ARE DISPLAYED  
BENEATH IN [ MM. ]

MATERIAL  
Material <not specified>

FINISH  
N/A

DO NOT SCALE DRAWING

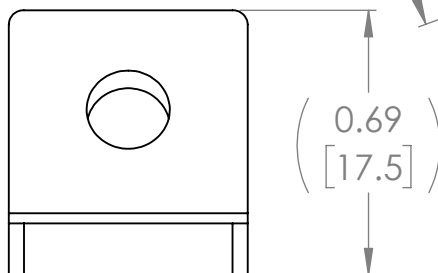
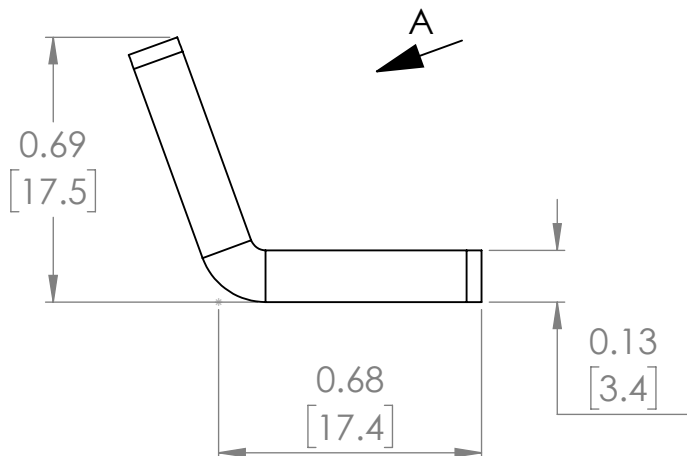
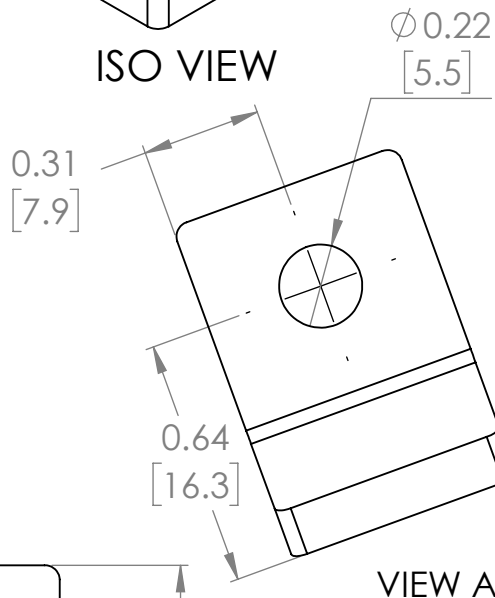
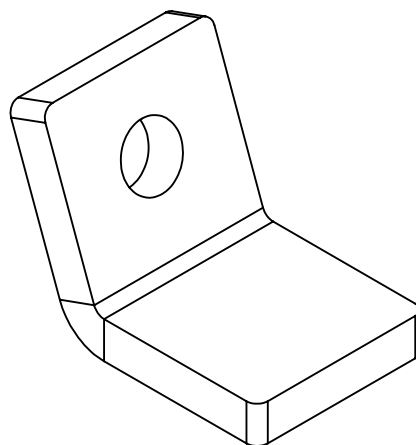
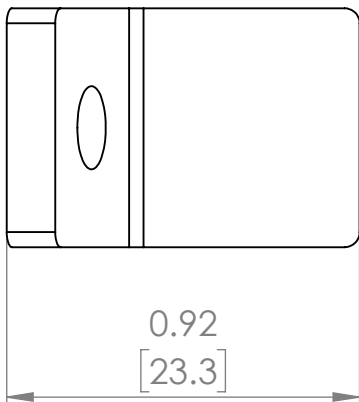


NEUTRAL KITS

|                  |                           |                  |
|------------------|---------------------------|------------------|
| SIZE<br><b>A</b> | DWG. NO.<br><b>ACSB5G</b> | REV.<br><b>A</b> |
| SCALE: 1:4       | WEIGHT:                   | SHEET 5 OF 6     |

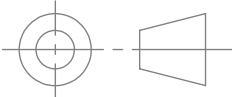

REVISIONS

| ZONE | REV. | DESCRIPTION | DATE | APPROVED |
|------|------|-------------|------|----------|
|------|------|-------------|------|----------|



[WWW.BRAHELECTRIC.COM](http://WWW.BRAHELECTRIC.COM), 855-355-2724

\* NOTE: BRAH ELECTRIC CONVERSION KIT, DIRECT REPLACEMENT FOR GENERAL ELECTRIC, SPECTRA SERIES, TYPE ACSB, 600V MAX, WITH GROUND, FOR USE WITH 225A-800A RATED BUS PLUGS

|   |  |  |          |                                      |
|---|--|--|----------|--------------------------------------|
| <br>THIRD ANGLE PROJECTION | UNLESS OTHERWISE NOTED<br>ALL DIMENSIONS ARE IN INCHES<br>METRIC UNITS ARE DISPLAYED<br>BENEATH IN [ MM. ]   | <br><b>BRAH</b><br>Electric<br><small>Wfg</small> |          |                                      |
|   | PROPRIETARY AND CONFIDENTIAL<br>THE INFORMATION CONTAINED IN THIS DRAWING IS THE SOLE PROPERTY OF BRAH ELECTRIC. ANY REPRODUCTION IN PART OR AS A WHOLE WITHOUT THE WRITTEN PERMISSION OF BRAH ELECTRIC IS PROHIBITED. |  |          | MATERIAL<br>Material <not specified> |
| FINISH<br>N/A   | DO NOT SCALE DRAWING   | SIZE<br><b>A</b>   | DWG. NO. | REV.<br><b>A</b>                     |
|   |  | SCALE: 2:1   | WEIGHT:  | SHEET 6 OF 6                         |