



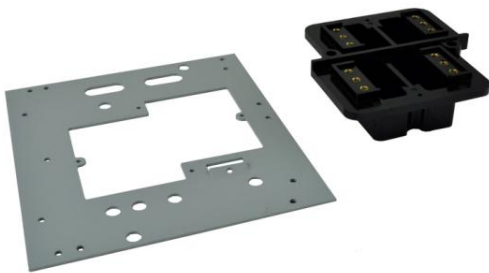
CONTACT US @ 855-355-2724

E-Mail: [Sales@brahelectric.com](mailto:Sales@brahelectric.com)

[www.Brahelectric.com](http://www.Brahelectric.com)

## PRODUCT DATA SHEET

---



**PART NUMBER – SER7CK:** BRAH Electric, direct replacement for General Electric Series 7 conversion kit bus plug parts, associated with BRAH - Bus Plugs aftermarket kits, suitable for use with SB, SL, AC - Spectra, Spectra Low-Amp & Armor Clad bus plugs rated 30A-800A. This is required when converting an older series 1, 2, 3, 4, 5 and 6 bus plug into the current series 7, 8 and 9.

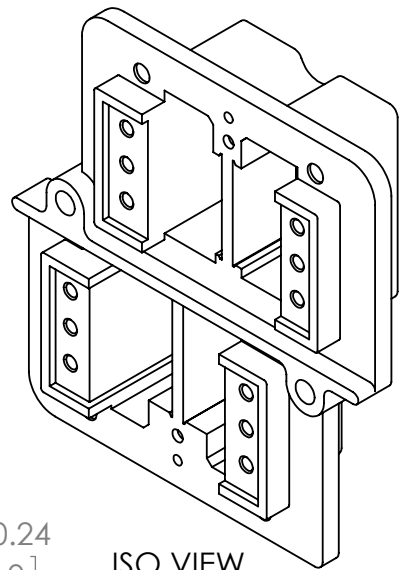
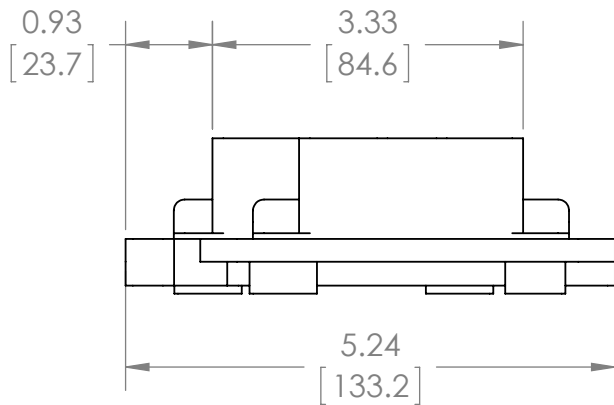
Bus Plug Accessories  
PART NO. SER7CK

### **PRODUCT SPECIFICATIONS**

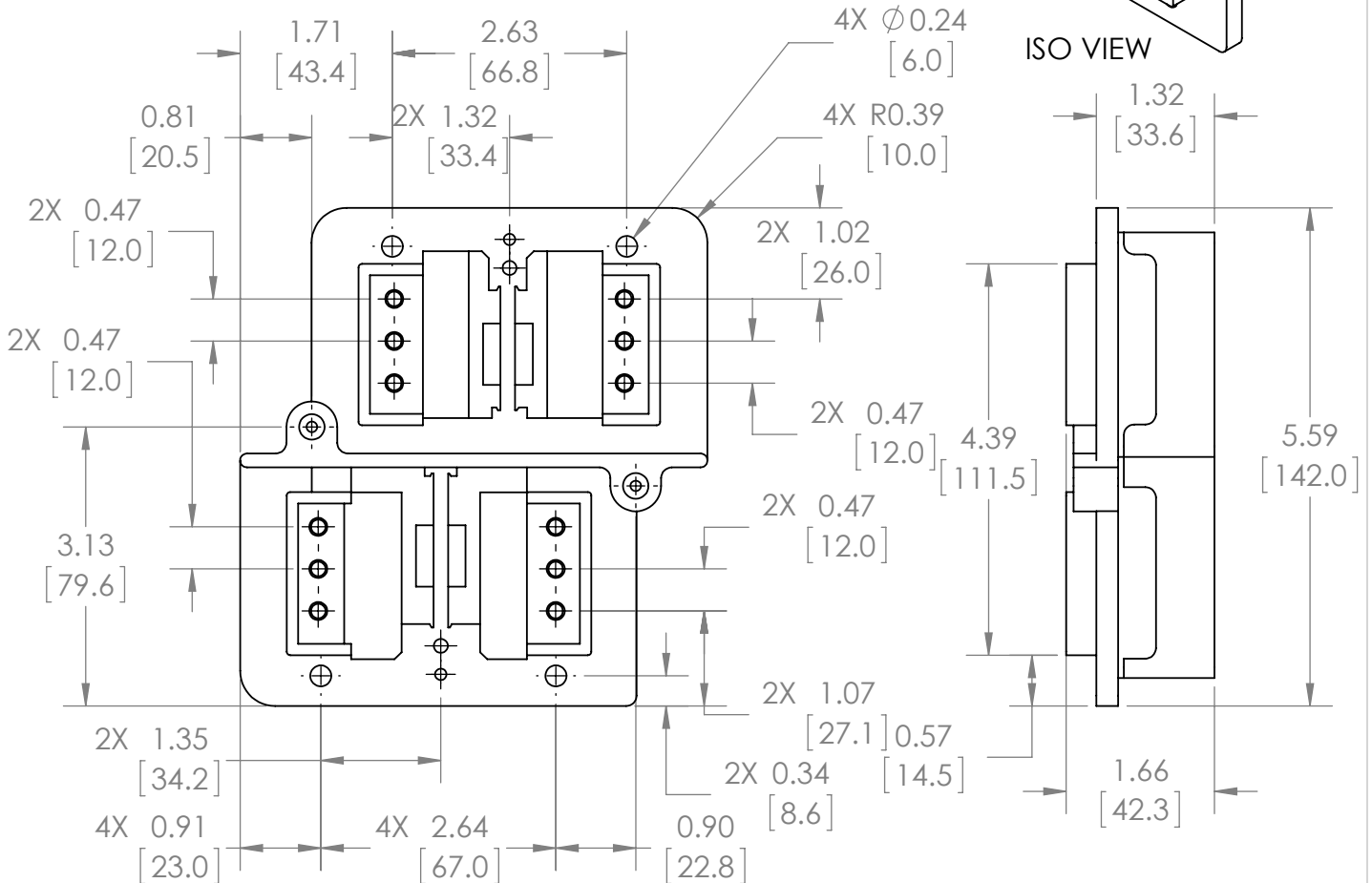
Manufacturer	BRAH Electric
Sub-Category	BUS Plug Parts
Family	BRAH-Bus Plugs
Type	SER7
Group	Bus Plug Parts
Type For	SB,SL,AC

**Warranty:** All Products sold by BRAH Electric are guaranteed to be free of defect for a period of one year, under the condition that the product has been installed and operated properly. All items proven defective within the one year period will be replaced by BRAH Electric. In the event that we cannot provide a direct replacement, your monies will be refunded in full. We are not responsible for any consequential losses or damages outside of the defective product as well as any replacements or repairs performed by another party without our written authorization from BRAH Electric.

REVISIONS				
ZONE	REV.	DESCRIPTION	DATE	APPROVED



ISO VIEW



[WWW.BRAHELECTRIC.COM](http://WWW.BRAHELECTRIC.COM), 855-355-2724

\*NOTE: BRAH ELECTRIC BUS PLUG ACCESSORIES SER7CK IS DIRECT REPLACEMENT FOR GENERAL ELECTRIC SERIES, SUITABLE FOR USE WITH SB, SL, AC - SPECTRA, SPECTRA LOW-AMP & ARMOR CLAD BUS PLUGS RATED 30A-800A

THIRD ANGLE PROJECTION

**PROPRIETARY AND CONFIDENTIAL**

THE INFORMATION CONTAINED IN THIS DRAWING IS THE SOLE PROPERTY OF BRAH ELECTRIC. ANY REPRODUCTION IN PART OR AS A WHOLE WITHOUT THE WRITTEN PERMISSION OF BRAH ELECTRIC IS PROHIBITED.

UNLESS OTHERWISE NOTED

ALL DIMENSIONS ARE IN INCHES  
METRIC UNITS ARE DISPLAYED  
BENEATH IN [ MM. ]

MATERIAL  
MOLDED PLASTIC CASE

FINISH  
N/A

DO NOT SCALE DRAWING

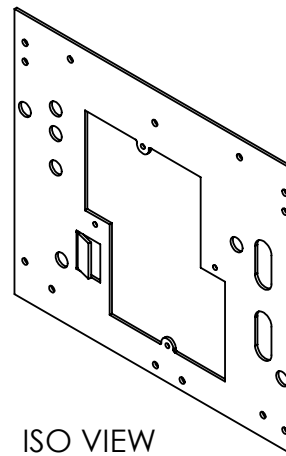
**BRAH**  
Electric

BUS PLUG ACCESSORIES

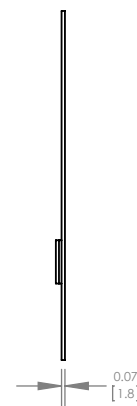
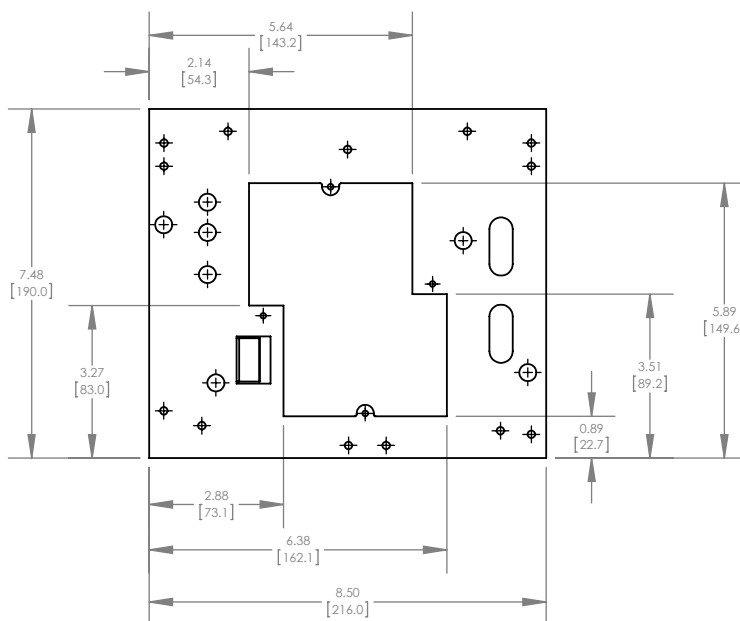
SIZE DWG. NO. REV.  
**A** SER7CK **A**

SCALE: 1:2 WEIGHT: 3.2 LBS SHEET 1 OF 1

REVISIONS				
ZONE	REV.	DESCRIPTION	DATE	APPROVED



ISO VIEW



[WWW.BRAHELECTRIC.COM](http://WWW.BRAHELECTRIC.COM), 855-355-2724

\*NOTE: BRAH ELECTRIC BUS PLUG ACCESSORIES SER7CK IS DIRECT REPLACEMENT FOR GENERAL ELECTRIC SERIES, SUITABLE FOR USE WITH SB, SL, AC - SPECTRA, SPECTRA LOW-AMP & ARMOR CLAD BUS PLUGS RATED 30A-800A

THIRD ANGLE PROJECTION

**PROPRIETARY AND CONFIDENTIAL**

THE INFORMATION CONTAINED IN THIS DRAWING IS THE SOLE PROPERTY OF BRAH ELECTRIC. ANY REPRODUCTION IN PART OR AS A WHOLE WITHOUT THE WRITTEN PERMISSION OF BRAH ELECTRIC IS PROHIBITED.

UNLESS OTHERWISE NOTED

ALL DIMENSIONS ARE IN INCHES  
METRIC UNITS ARE DISPLAYED  
BENEATH IN [ MM. ]

MATERIAL	-
FINISH	N/A
DO NOT SCALE DRAWING	

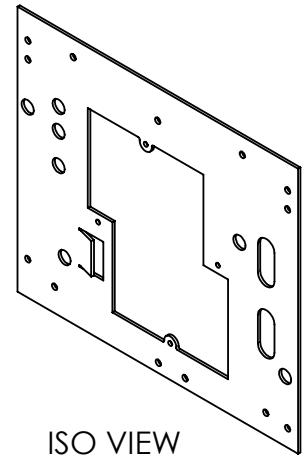
**BRAH**  
Electric

BUS PLUG ACCESSORIES

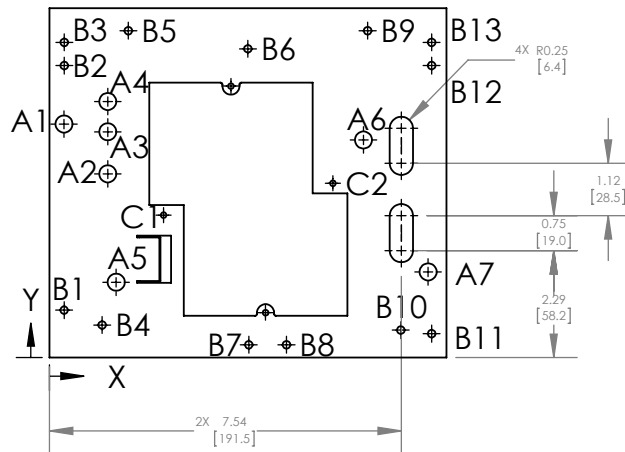
SIZE	DWG. NO.	REV.
<b>A</b>	SER7CK	<b>A</b>
SCALE: 1:4	WEIGHT: 3.2 LBS	SHEET 1 OF 2

TAG	X LOC	Y LOC	SIZE
A1	.31	5.00	Ø 0.37 THRU
A2	1.25	3.93	Ø 0.37 THRU
A3	1.25	4.83	Ø 0.37 THRU
A4	1.25	5.48	Ø 0.37 THRU
A5	1.43	1.61	Ø 0.37 THRU
A6	6.73	4.66	Ø 0.37 THRU
A7	8.11	1.83	Ø 0.37 THRU
B1	.31	1.01	Ø 0.16 THRU
B2	.32	6.25	Ø 0.16 THRU
B3	.32	6.75	Ø 0.16 THRU
B4	1.13	.69	Ø 0.16 THRU
B5	1.69	7.00	Ø 0.16 THRU
B6	4.25	6.61	Ø 0.16 THRU
B7	4.27	.27	Ø 0.16 THRU
B8	5.08	.27	Ø 0.16 THRU
B9	6.82	7.00	Ø 0.16 THRU
B10	7.53	.59	Ø 0.16 THRU
B11	8.19	.51	Ø 0.16 THRU
B12	8.19	6.25	Ø 0.16 THRU
B13	8.19	6.75	Ø 0.16 THRU
C1	2.44	3.05	Ø 0.12 THRU
C2	6.07	3.73	Ø 0.12 THRU

REVISIONS				
ZONE	REV.	DESCRIPTION	DATE	APPROVED



ISO VIEW



[WWW.BRAHELECTRIC.COM](http://WWW.BRAHELECTRIC.COM), 855-355-2724

\*NOTE: BRAH ELECTRIC BUS PLUG ACCESSORIES SER7CK IS DIRECT REPLACEMENT FOR GENERAL ELECTRIC SERIES, SUITABLE FOR USE WITH SB, SL, AC - SPECTRA, SPECTRA LOW-AMP & ARMOR CLAD BUS PLUGS RATED 30A-800A

THIRD ANGLE PROJECTION

**PROPRIETARY AND CONFIDENTIAL**

THE INFORMATION CONTAINED IN THIS DRAWING IS THE SOLE PROPERTY OF BRAH ELECTRIC. ANY REPRODUCTION IN PART OR AS A WHOLE WITHOUT THE WRITTEN PERMISSION OF BRAH ELECTRIC IS PROHIBITED.

UNLESS OTHERWISE NOTED

ALL DIMENSIONS ARE IN INCHES  
METRIC UNITS ARE DISPLAYED  
BENEATH IN [ MM. ]

MATERIAL -

FINISH -

N/A

DO NOT SCALE DRAWING

**BRAH**  
Electric

BUS PLUG ACCESSORIES

SIZE **A** DWG. NO. **SER7CK** REV. **A**

SCALE: 1:5 WEIGHT: 3.2 LBS SHEET 2 OF 2