



CONTACT US @ 855-355-2724

E-Mail: [Sales@brahelectric.com](mailto:Sales@brahelectric.com)

[www.Brahelectric.com](http://www.Brahelectric.com)

## PRODUCT DATA SHEET

---



### BUS PLUGS

Picture is for reference only,  
Actual Kit may vary slightly

### **PART NUMBER- SL1:**

BRAH Electric direct replacement/aftermarket conversion kit with ground for GE - Spectra Low-Amp Series 30Amp - 100Amp, 600Volt rated bus plugs; directly replaces OEM parts ACSL1G and SBSL1G; will convert fusible/breaker style SPECTRA or ARMOR CLAD style bus plugs into SPECTRA LOW-AMP style bus plugs; for use with only Spectra Low-Amp busway and bus duct systems.

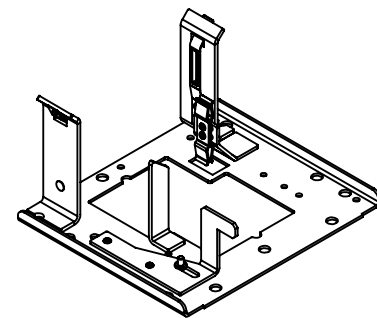
### **PRODUCT SPECIFICATIONS**

Manufacturer	BRAH Electric
Sub-Category	Conversion Kits
Family	Spectra Low-Amp
Type	SL1
Group	Bus Plug Parts
OEM Manufacturer	General Electric
Amperage Min	30
Amperage Max	100
Voltage Max	600

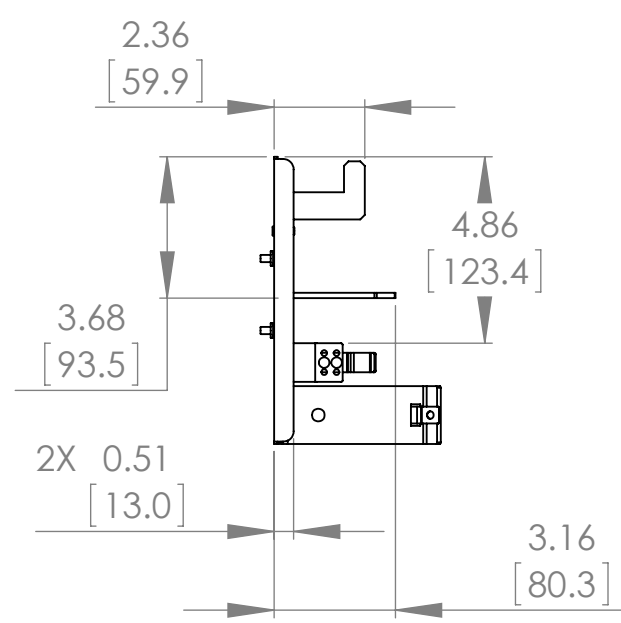
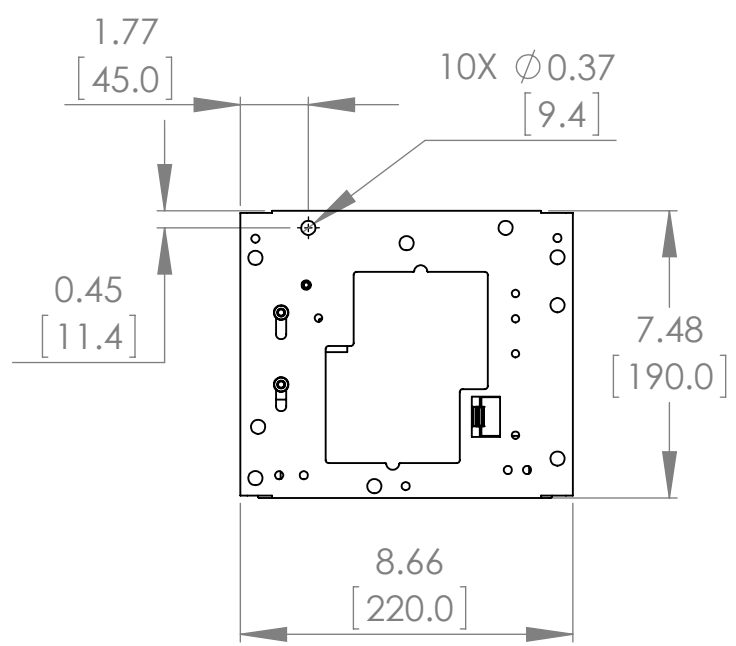
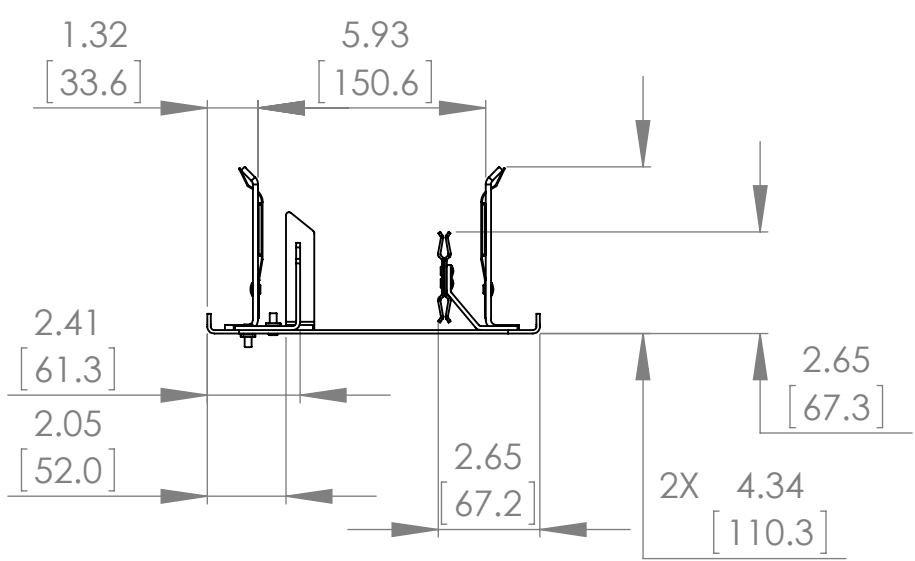
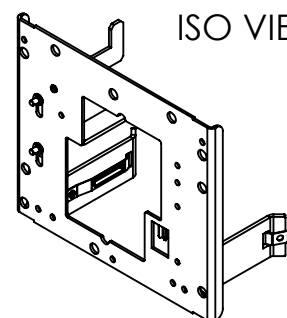
**Warranty:** All Products sold by BRAH Electric are guaranteed to be free of defect for a period of two years, under the condition that the product has been installed and operated properly. All items proven defective within the one year period will be replaced by BRAH Electric. In the event that we cannot provide a direct replacement, your monies will be refunded in full. We are not responsible for any consequential losses or damages outside of the defective product as well as any replacements or repairs performed by another party without our written authorization from BRAH Electric.

REVISIONS

ZONE	REV.	DESCRIPTION	DATE	APPROVED
------	------	-------------	------	----------



ISO VIEW



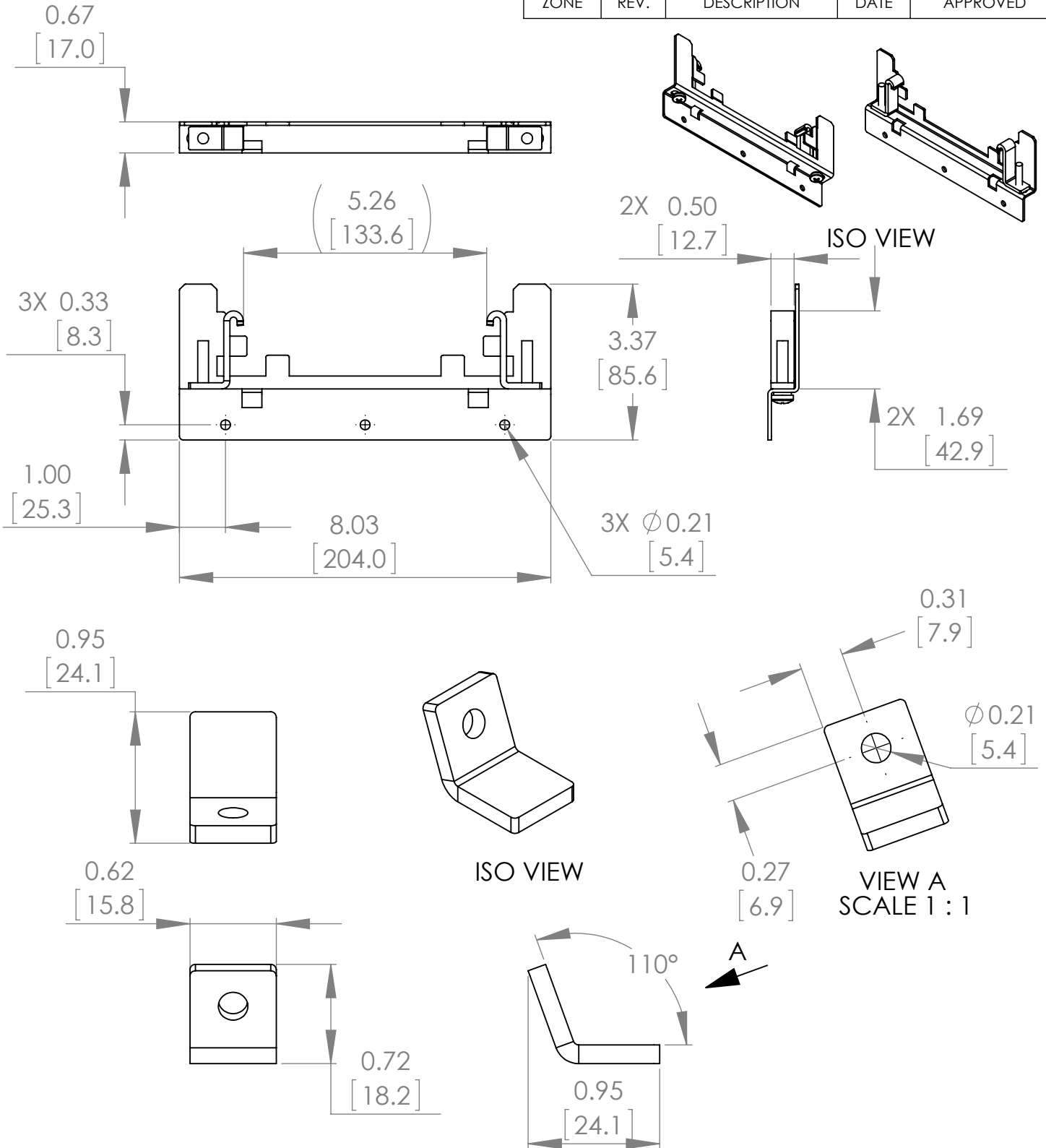
\* NOTE: BRAH ELECTRIC CONVERSION KITS ARE A DIRECT REPLACEMENT FOR GENERAL ELECTRIC, SPECTRA LOW-AMP SERIES, TYPE ACSL, 600V, WITH GROUND, FOR USE WITH 30A-100A RATED BUS PLUGS.

[WWW.BRAHELECTRIC.COM](http://WWW.BRAHELECTRIC.COM), 855-355-2724

<p>THIRD ANGLE PROJECTION</p>	<p>UNLESS OTHERWISE NOTED ALL DIMENSIONS ARE IN INCHES METRIC UNITS ARE DISPLAYED BENEATH IN [ MM. ]</p>		<p>NEUTRAL KITS</p>		
	<p><b>PROPRIETARY AND CONFIDENTIAL</b> THE INFORMATION CONTAINED IN THIS DRAWING IS THE SOLE PROPERTY OF BRAH ELECTRIC. ANY REPRODUCTION IN PART OR AS A WHOLE WITHOUT THE WRITTEN PERMISSION OF BRAH ELECTRIC IS PROHIBITED.</p>				<p>MATERIAL -</p>
<p>DO NOT SCALE DRAWING</p>		<p>FINISH N/A</p>	<p>SIZE <b>A</b></p>	<p>DWG. NO. <b>ACSL1G</b></p>	<p>REV. <b>A</b></p>
		<p>SCALE: 1:5</p>	<p>WEIGHT:</p>	<p>SHEET 1 OF 3</p>	

REVISIONS

ZONE	REV.	DESCRIPTION	DATE	APPROVED
------	------	-------------	------	----------



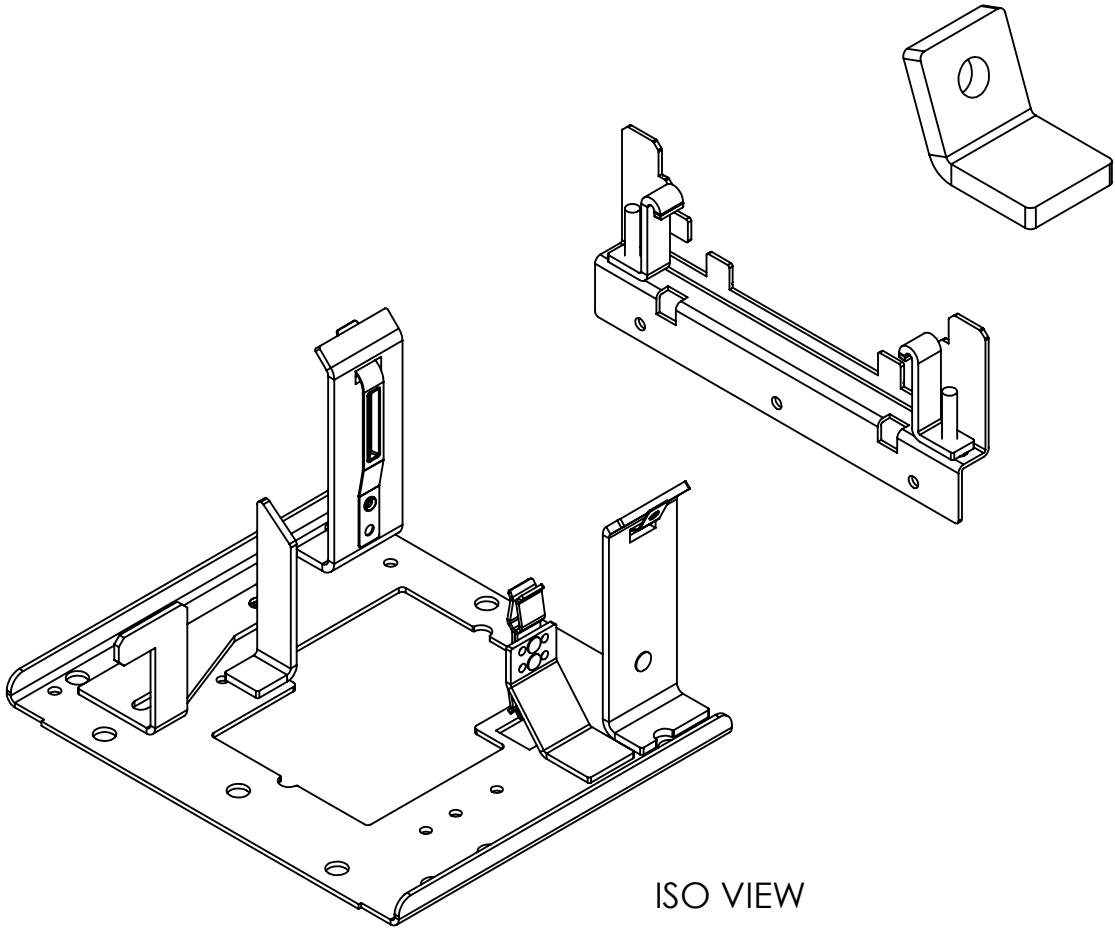
\* NOTE: BRAH ELECTRIC CONVERSION KITS ARE A DIRECT REPLACEMENT FOR GENERAL ELECTRIC, SPECTRA LOW-AMP SERIES, TYPE ACSL, 600V, WITH GROUND, FOR USE WITH 30A-100A RATED BUS PLUGS.

[WWW.BRAHELECTRIC.COM](http://WWW.BRAHELECTRIC.COM), 855-355-2724

<p>THIRD ANGLE PROJECTION</p>	<p>UNLESS OTHERWISE NOTED</p> <p>ALL DIMENSIONS ARE IN INCHES METRIC UNITS ARE DISPLAYED BENEATH IN [ MM. ]</p>	<p>NEUTRAL KITS</p>		
	<p>PROPRIETARY AND CONFIDENTIAL</p> <p>THE INFORMATION CONTAINED IN THIS DRAWING IS THE SOLE PROPERTY OF BRAH ELECTRIC. ANY REPRODUCTION IN PART OR AS A WHOLE WITHOUT THE WRITTEN PERMISSION OF BRAH ELECTRIC IS PROHIBITED.</p>			<p>MATERIAL</p> <p>-</p>
	<p>FINISH</p> <p>N/A</p>	<p>SIZE</p> <p><b>A</b></p>	<p>DWG. NO.</p> <p>ACSL1G</p>	<p>REV.</p> <p><b>A</b></p>
	<p>DO NOT SCALE DRAWING</p>	<p>SCALE:1:3</p>	<p>WEIGHT:</p>	<p>SHEET 2 OF 3</p>

REVISIONS

ZONE	REV.	DESCRIPTION	DATE	APPROVED
------	------	-------------	------	----------



ISO VIEW

\* NOTE: BRAH ELECTRIC CONVERSION KITS ARE A DIRECT REPLACEMENT FOR GENERAL ELECTRIC, SPECTRA LOW-AMP SERIES, TYPE ACSL, 600V, WITH GROUND, FOR USE WITH 30A-100A RATED BUS PLUGS.

[WWW.BRAHELECTRIC.COM](http://WWW.BRAHELECTRIC.COM), 855-355-2724

<p>THIRD ANGLE PROJECTION</p>	<p>UNLESS OTHERWISE NOTED</p> <p>ALL DIMENSIONS ARE IN INCHES METRIC UNITS ARE DISPLAYED BENEATH IN [ MM. ]</p>			
	<p><b>PROPRIETARY AND CONFIDENTIAL</b></p> <p>THE INFORMATION CONTAINED IN THIS DRAWING IS THE SOLE PROPERTY OF BRAH ELECTRIC. ANY REPRODUCTION IN PART OR AS A WHOLE WITHOUT THE WRITTEN PERMISSION OF BRAH ELECTRIC IS PROHIBITED.</p>			<p>MATERIAL</p> <p>-</p>
<p>FINISH</p> <p>N/A</p>	<p>DO NOT SCALE DRAWING</p>	<p>SIZE <b>A</b></p>	<p>DWG. NO.</p> <p>ACSL1G</p>	<p>REV.</p> <p>A</p>
		<p>SCALE:1:3</p>	<p>WEIGHT:</p>	<p>SHEET 3 OF 3</p>