

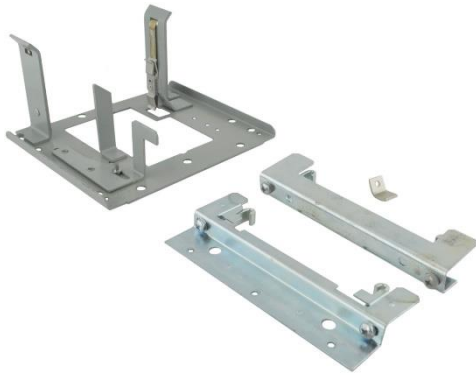


CONTACT US @ 855-355-2724

E-Mail: Sales@brahelectric.com

www.Brahelectric.com

PRODUCT DATA SHEET



BUS PLUGS

Picture is for reference only,
Actual Kit may vary slightly

PART NUMBER- SL4:

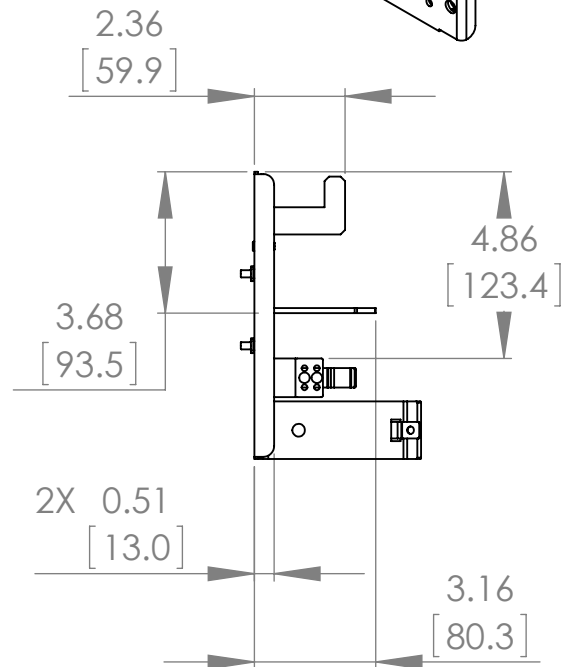
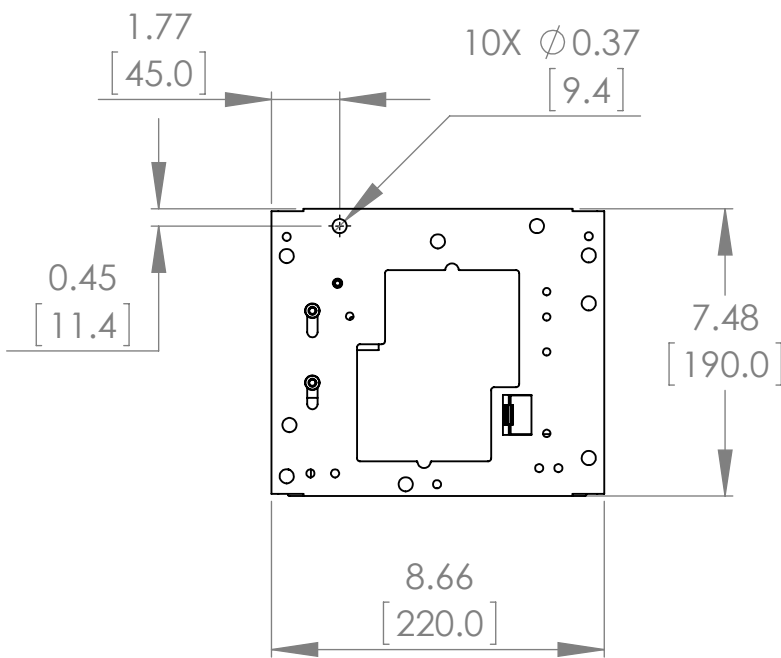
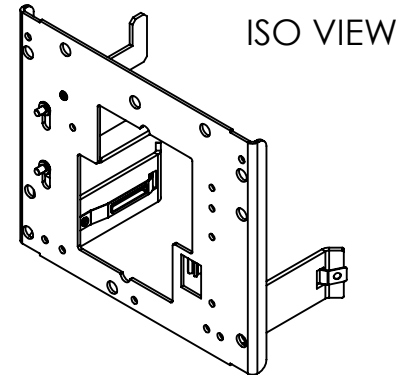
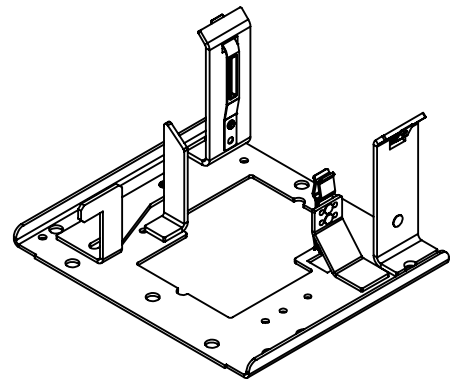
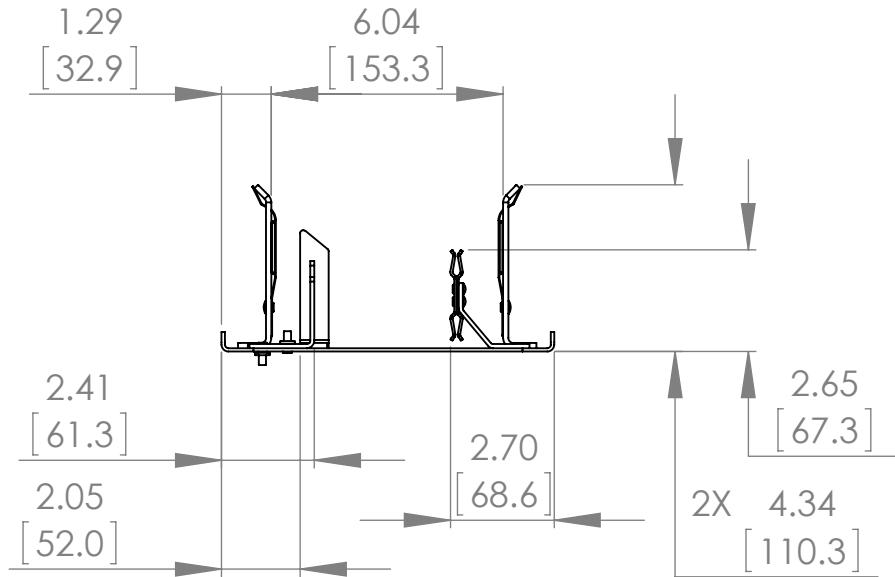
BRAH Electric direct replacement/aftermarket conversion kit with ground for GE - Spectra Low-Amp Series 110Amp - 250Amp, 600Volt rated bus plugs; directly replaces OEM parts ACSL4G and SBSL4G; will convert fusible/breaker style ARMOR CLAD or SPECTRA style bus plugs into SPECTRA LOW-AMP style bus plugs; for use with only Spectra Low-Amp bus duct and busway systems.

PRODUCT SPECIFICATIONS

Manufacturer	BRAH Electric
Sub-Category	Conversion Kits
Family	Spectra Low-Amp
Type	SL4
Group	Bus Plug Parts
OEM Manufacturer	General Electric
Amperage Min	110
Amperage Max	250
Voltage Max	600

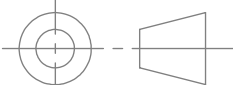

Warranty: All Products sold by BRAH Electric are guaranteed to be free of defect for a period of two years, under the condition that the product has been installed and operated properly. All items proven defective within the one year period will be replaced by BRAH Electric. In the event that we cannot provide a direct replacement, your monies will be refunded in full. We are not responsible for any consequential losses or damages outside of the defective product as well as any replacements or repairs performed by another party without our written authorization from BRAH Electric.

REVISIONS				
ZONE	REV.	DESCRIPTION	DATE	APPROVED

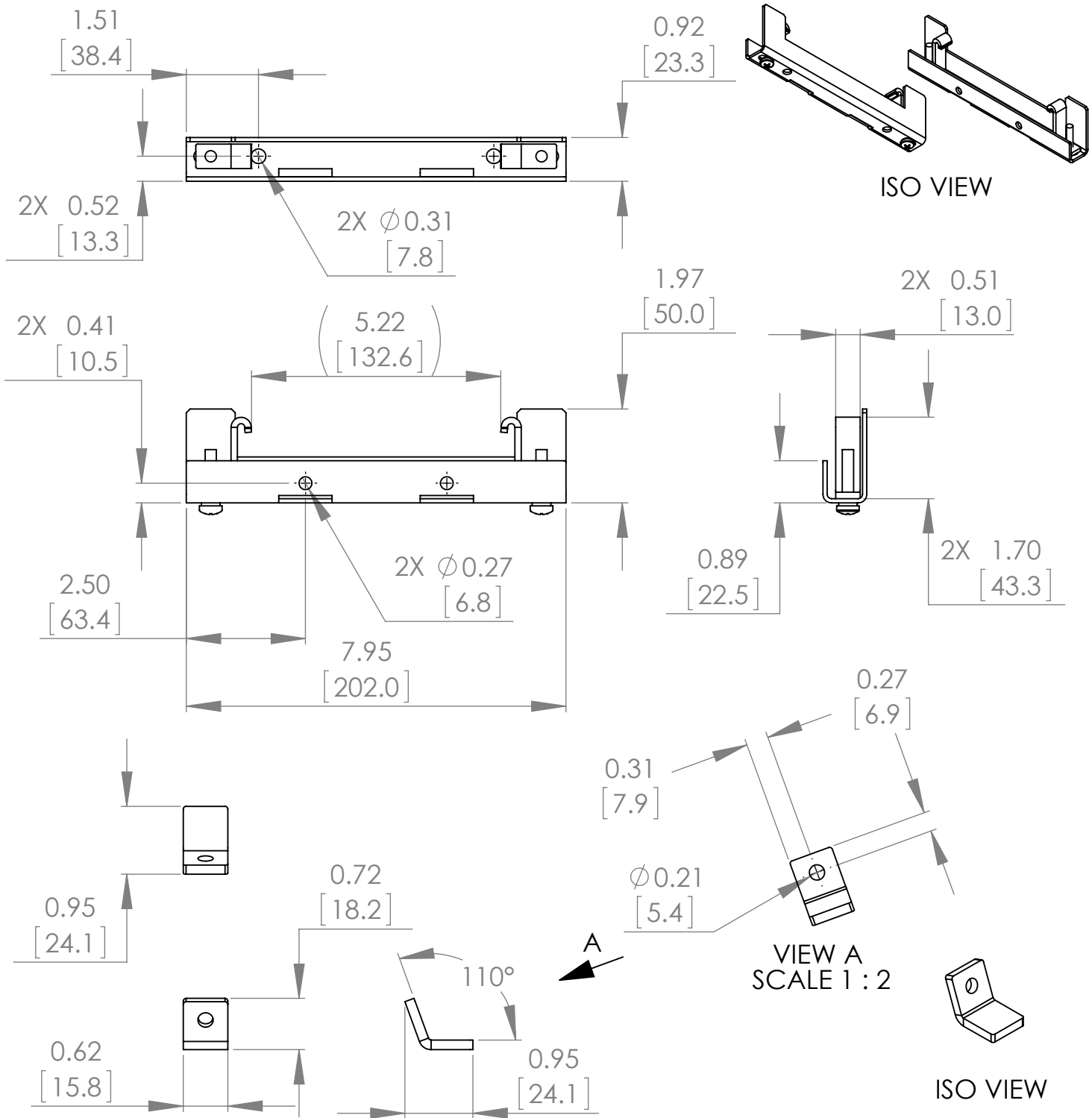


WWW.BRAHELECTRIC.COM, 855-355-2724

* NOTE: BRAH ELECTRIC CONVERSION KITS ARE A DIRECT REPLACEMENT FOR GENERAL ELECTRIC, SPECTRA LOW-AMP SERIES, TYPE ACSL, 600V MAX, WITH GROUND, FOR USE WITH 110A-250A RATED BUS PLUGS.

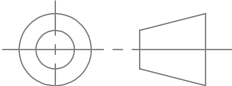

 THIRD ANGLE PROJECTION	UNLESS OTHERWISE NOTED		 BRAH Electric Mfg	
	ALL DIMENSIONS ARE IN INCHES METRIC UNITS ARE DISPLAYED BENEATH IN [MM.]			
PROPRIETARY AND CONFIDENTIAL	MATERIAL	NEUTRAL KITS		REV. A
THE INFORMATION CONTAINED IN THIS DRAWING IS THE SOLE PROPERTY OF BRAH ELECTRIC. ANY REPRODUCTION IN PART OR AS A WHOLE WITHOUT THE WRITTEN PERMISSION OF BRAH ELECTRIC IS PROHIBITED.	FINISH	ACSL4G		SCALE: 1:5
	DO NOT SCALE DRAWING	SIZE A	DWG. NO. ACSL4G	WEIGHT:
		SHEET 1 OF 4		

REVISIONS				
ZONE	REV.	DESCRIPTION	DATE	APPROVED



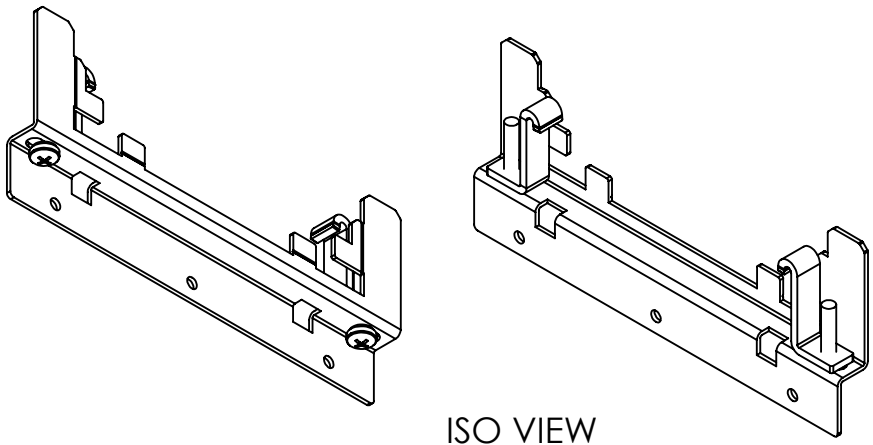
* NOTE: BRAH ELECTRIC CONVERSION KITS ARE A DIRECT REPLACEMENT FOR GENERAL ELECTRIC, SPECTRA LOW-AMP SERIES, TYPE ACSL, 600V MAX, WITH GROUND, FOR USE WITH 110A-250A RATED BUS PLUGS.

WWW.BRAHELECTRIC.COM, 855-355-2724

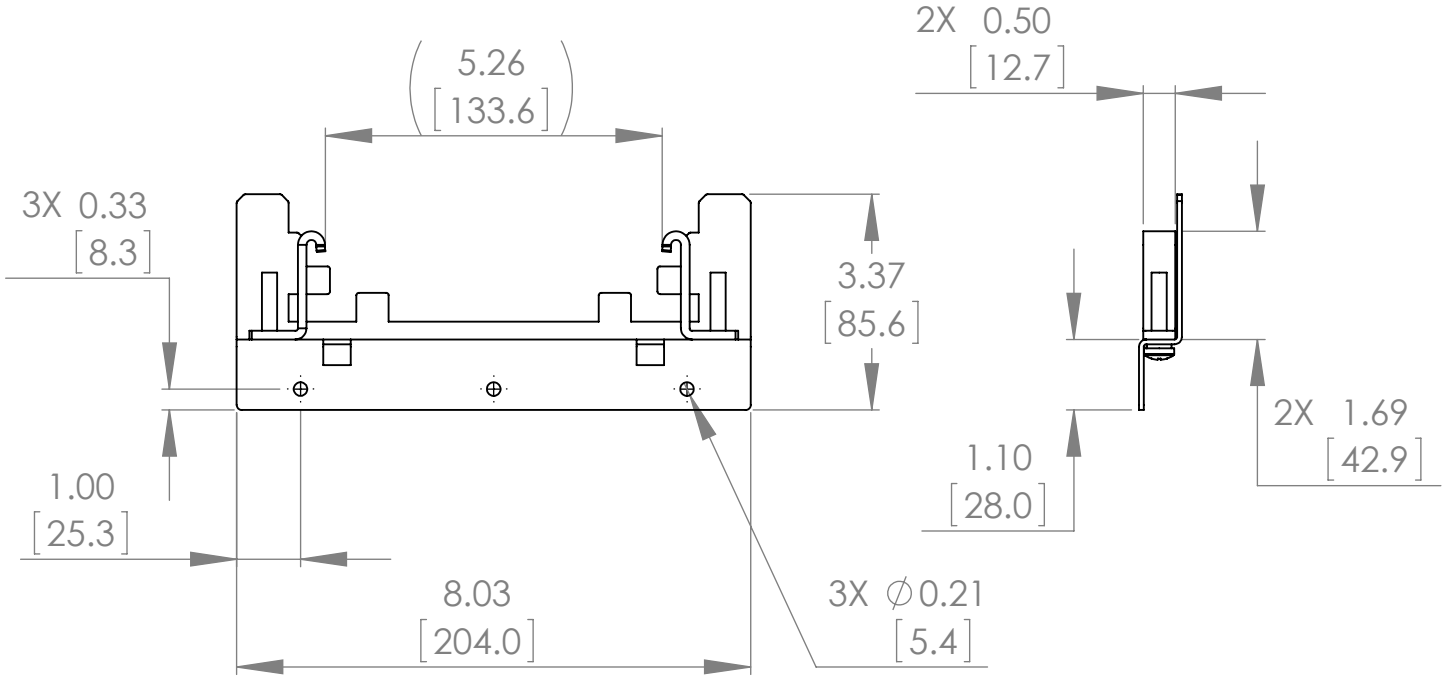
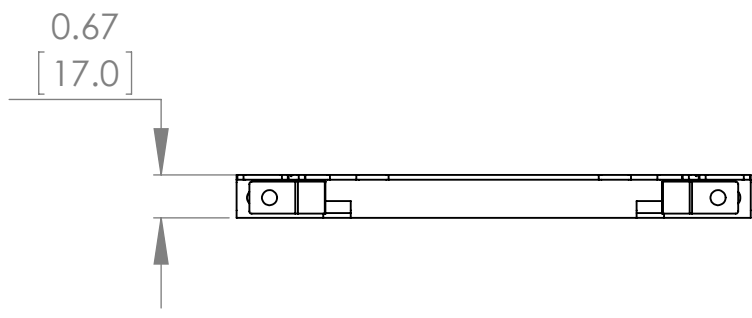
 <p>THIRD ANGLE PROJECTION</p>	UNLESS OTHERWISE NOTED		
	ALL DIMENSIONS ARE IN INCHES METRIC UNITS ARE DISPLAYED BENEATH IN [MM.]		
<p>PROPRIETARY AND CONFIDENTIAL</p> <p>THE INFORMATION CONTAINED IN THIS DRAWING IS THE SOLE PROPERTY OF BRAH ELECTRIC. ANY REPRODUCTION IN PART OR AS A WHOLE WITHOUT THE WRITTEN PERMISSION OF BRAH ELECTRIC IS PROHIBITED.</p>	MATERIAL	-	NEUTRAL KITS
	FINISH	N/A	
	DO NOT SCALE DRAWING	SIZE	DWG. NO.
	A	ACSL4G	A
	SCALE:1:3	WEIGHT:	SHEET 2 OF 4

REVISIONS

ZONE	REV.	DESCRIPTION	DATE	APPROVED
------	------	-------------	------	----------



ISO VIEW



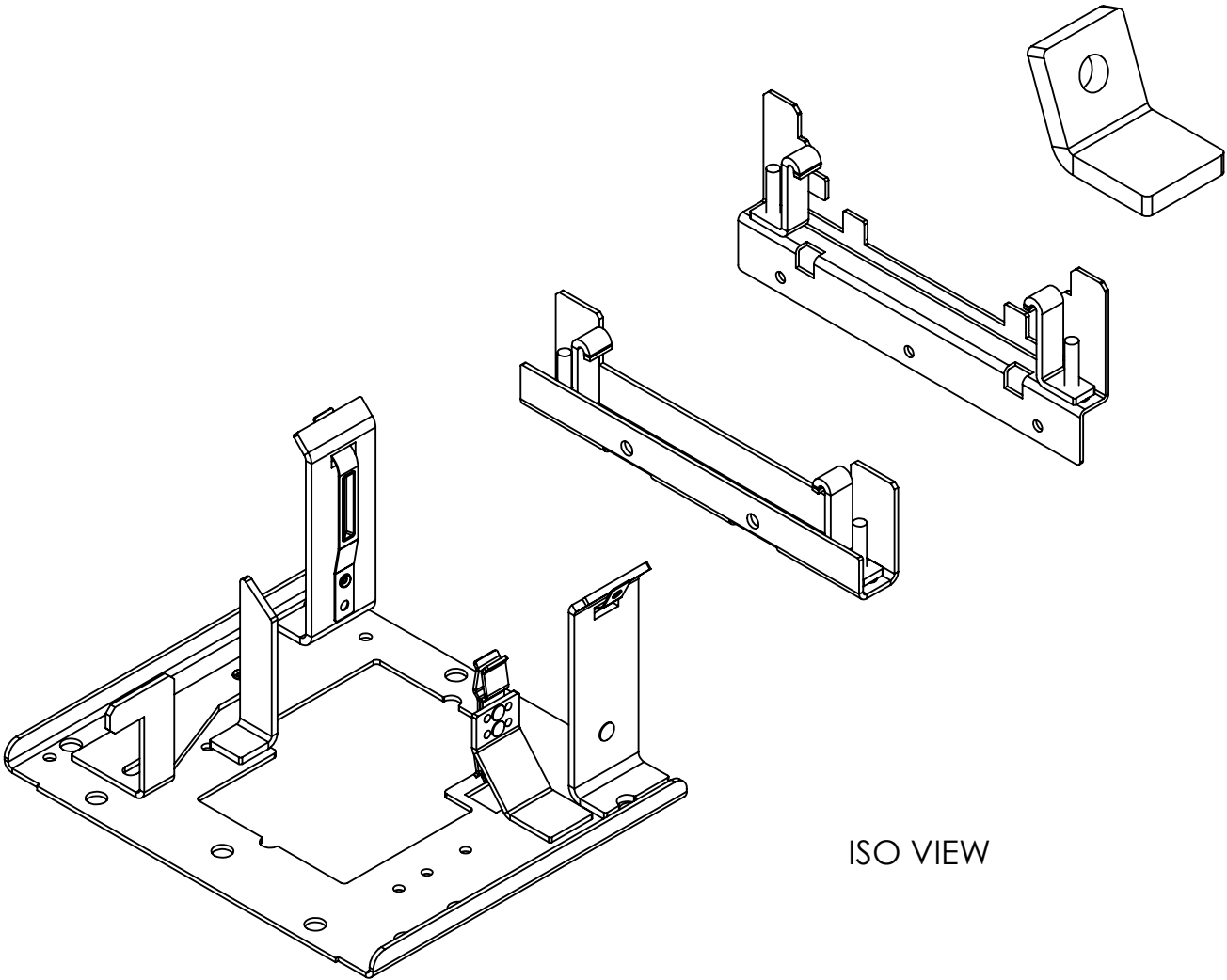
* NOTE: BRAH ELECTRIC CONVERSION KITS ARE A DIRECT REPLACEMENT FOR GENERAL ELECTRIC, SPECTRA LOW-AMP SERIES, TYPE ACSL, 600V MAX, WITH GROUND, FOR USE WITH 110A-250A RATED BUS PLUGS.

WWW.BRAHELECTRIC.COM, 855-355-2724

<p>THIRD ANGLE PROJECTION</p>	<p>UNLESS OTHERWISE NOTED</p> <p>ALL DIMENSIONS ARE IN INCHES METRIC UNITS ARE DISPLAYED BENEATH IN [MM.]</p>	<p>NEUTRAL KITS</p>		
	<p>PROPRIETARY AND CONFIDENTIAL</p> <p>THE INFORMATION CONTAINED IN THIS DRAWING IS THE SOLE PROPERTY OF BRAH ELECTRIC. ANY REPRODUCTION IN PART OR AS A WHOLE WITHOUT THE WRITTEN PERMISSION OF BRAH ELECTRIC IS PROHIBITED.</p>			<p>MATERIAL</p> <p>-</p>
	<p>FINISH</p> <p>N/A</p>	<p>SIZE</p> <p>A</p>	<p>DWG. NO.</p> <p>ACSL4G</p>	<p>REV.</p> <p>A</p>
	<p>DO NOT SCALE DRAWING</p>	<p>SCALE:1:3</p>	<p>WEIGHT:</p>	<p>SHEET 3 OF 4</p>

REVISIONS

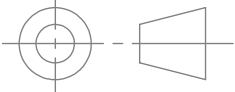

ZONE	REV.	DESCRIPTION	DATE	APPROVED
------	------	-------------	------	----------



ISO VIEW

* NOTE: BRAH ELECTRIC CONVERSION KITS ARE A DIRECT REPLACEMENT FOR GENERAL ELECTRIC, SPECTRA LOW-AMP SERIES, TYPE ACSL, 600V MAX, WITH GROUND, FOR USE WITH 110A-250A RATED BUS PLUGS.

WWW.BRAHELECTRIC.COM, 855-355-2724

 <p>THIRD ANGLE PROJECTION</p>	<p>UNLESS OTHERWISE NOTED</p> <p>ALL DIMENSIONS ARE IN INCHES METRIC UNITS ARE DISPLAYED BENEATH IN [MM.]</p>					
	<p>PROPRIETARY AND CONFIDENTIAL</p> <p>THE INFORMATION CONTAINED IN THIS DRAWING IS THE SOLE PROPERTY OF BRAH ELECTRIC. ANY REPRODUCTION IN PART OR AS A WHOLE WITHOUT THE WRITTEN PERMISSION OF BRAH ELECTRIC IS PROHIBITED.</p>				<p>NEUTRAL KITS</p>	
<p>MATERIAL</p> <p>-</p>		<p>FINISH</p> <p>N/A</p>		<p>SIZE A</p>	<p>DWG. NO.</p> <p>ACSL4G</p>	<p>REV.</p> <p>A</p>
<p>DO NOT SCALE DRAWING</p>		<p>SCALE:1:3</p>	<p>WEIGHT:</p>	<p>SHEET 4 OF 4</p>		