



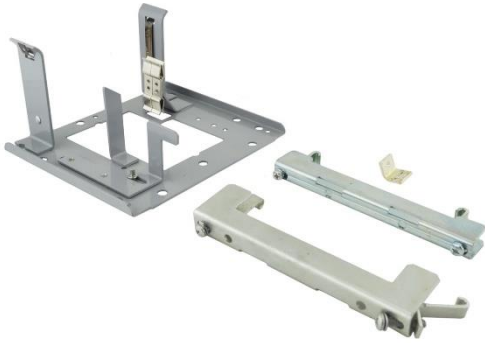
CONTACT US @ 855-355-2724

E-Mail: [Sales@brahelectric.com](mailto:Sales@brahelectric.com)

[www.Brahelectric.com](http://www.Brahelectric.com)

## PRODUCT DATA SHEET

---



### BUS PLUGS

Picture is for reference only,  
Actual Kit may vary slightly

### **PART NUMBER- SL5:**

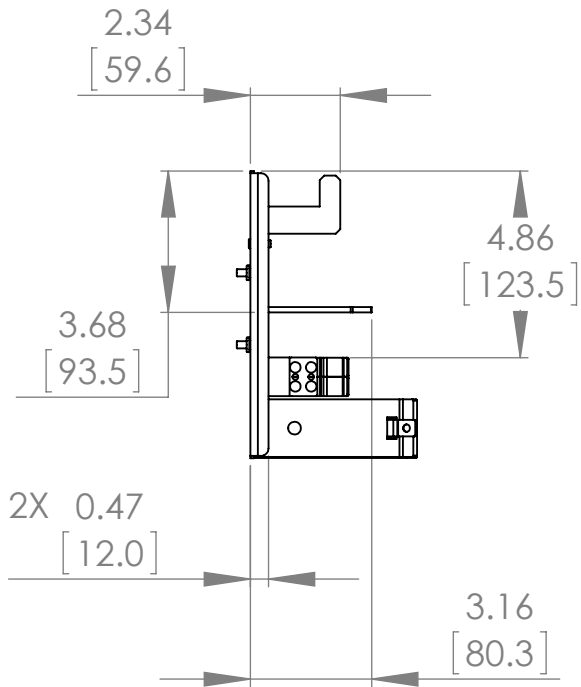
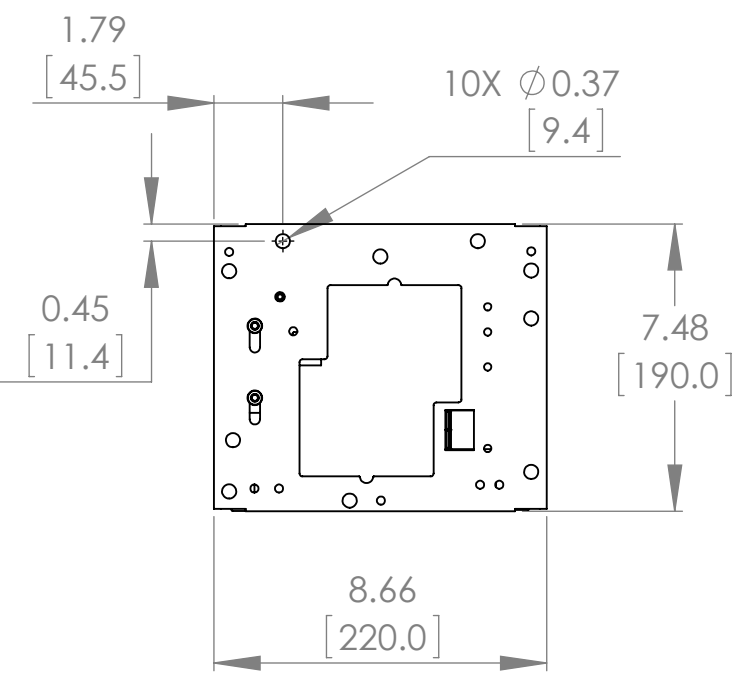
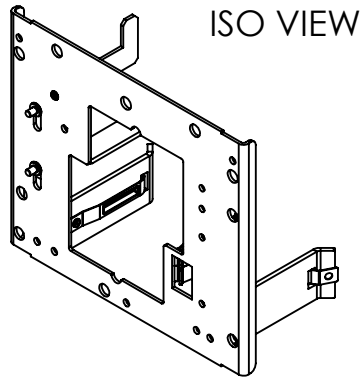
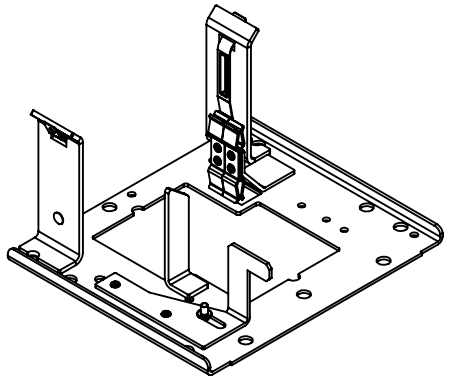
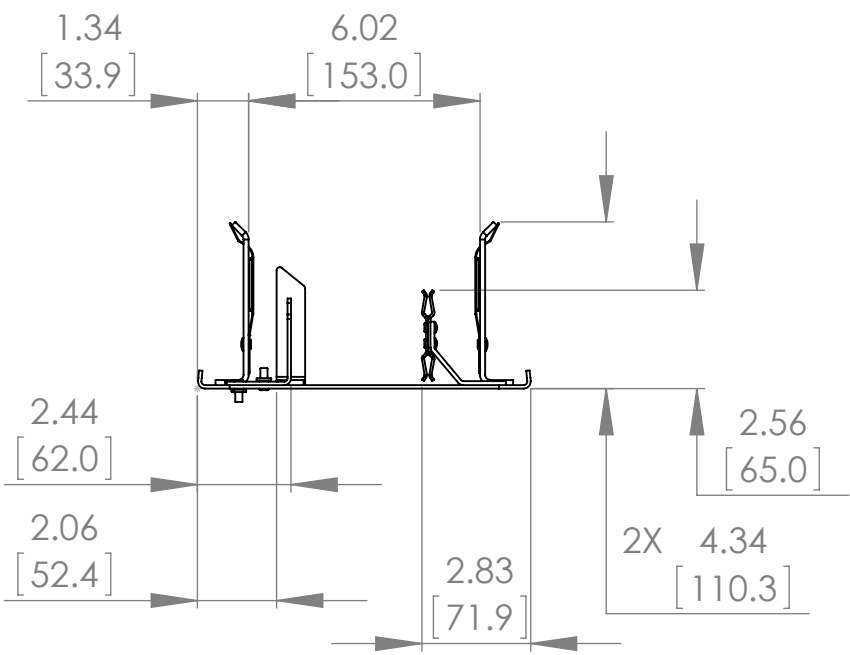
BRAH Electric direct replacement/aftermarket conversion kit for General Electric, Spectra Low-Amp Series, type SL5, 600Volt max, with ground, for use with 300Amp - 800Amp rated bus plugs, this conversion kit is a direct replacement for OEM part numbers ACSL5G and SBSL5G and will convert ARMOR CLAD style bus plugs into SPECTRA LOW-AMP style bus plugs, good for use with both fusible and circuit breaker style bus plugs, this equipment is suitable for use with Spectra Low-Amp bus duct and busway systems.

### **PRODUCT SPECIFICATIONS**

Manufacturer	BRAH Electric
Sub-Category	Conversion Kits
Family	Spectra Low-Amp
Type	SL5
Group	Bus Plug Parts
OEM Manufacturer	General Electric
Amperage Min	300
Amperage Max	800
Voltage Max	600

**Warranty:** All Products sold by BRAH Electric are guaranteed to be free of defect for a period of two years, under the condition that the product has been installed and operated properly. All items proven defective within the one year period will be replaced by BRAH Electric. In the event that we cannot provide a direct replacement, your monies will be refunded in full. We are not responsible for any consequential losses or damages outside of the defective product as well as any replacements or repairs performed by another party without our written authorization from BRAH Electric.

REVISIONS				
ZONE	REV.	DESCRIPTION	DATE	APPROVED

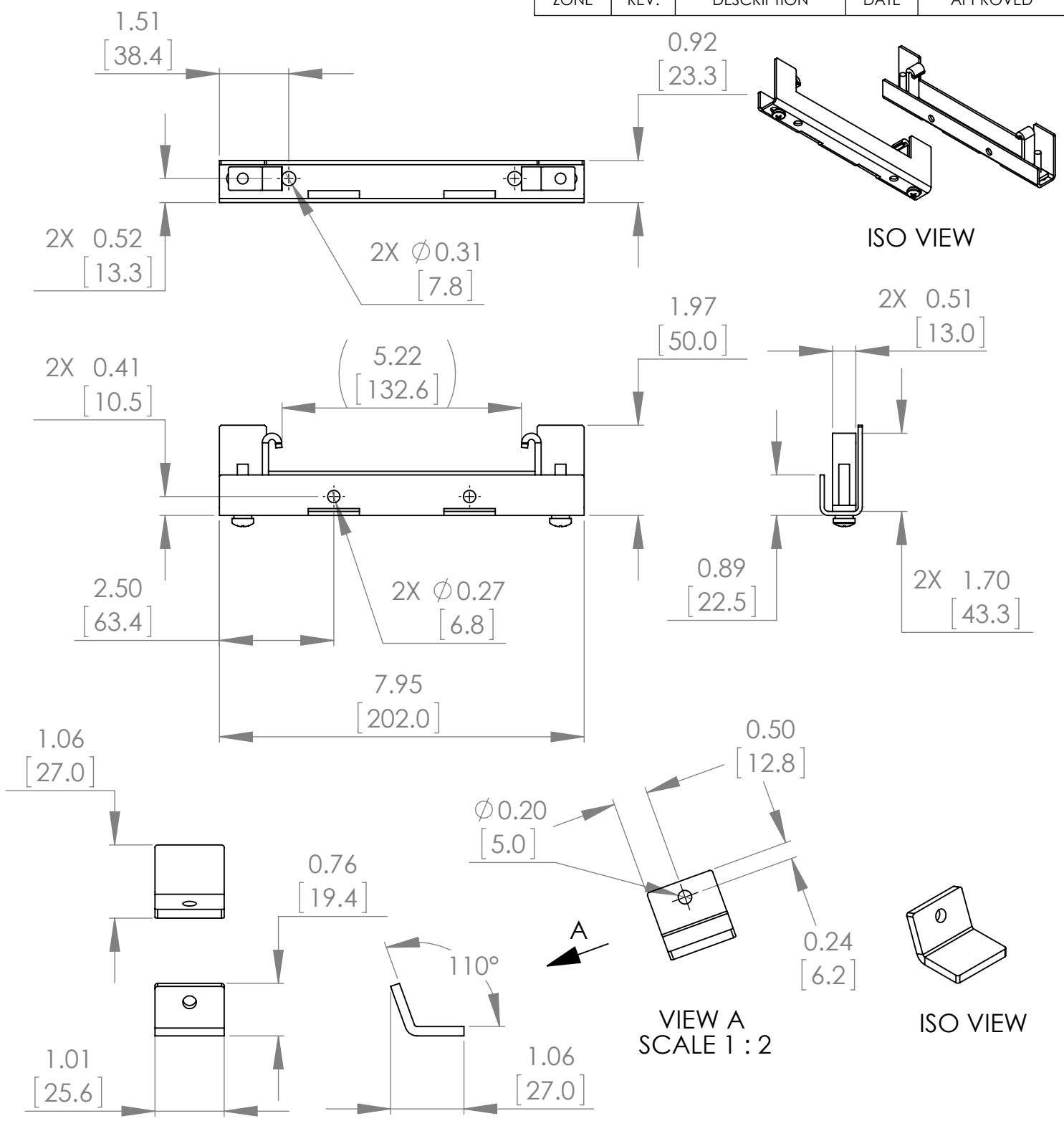


\* NOTE: BRAH ELECTRIC CONVERSION KITS ARE A DIRECT REPLACEMENT FOR GENERAL ELECTRIC, SPECTRA LOW-AMP SERIES, TYPE ACSL, 600V MAX, WITH GROUND, FOR USE WITH 300A-800A RATED BUS PLUGS.

[WWW.BRAHELECTRIC.COM](http://WWW.BRAHELECTRIC.COM), 855-355-2724

<p>THIRD ANGLE PROJECTION</p>	<p>UNLESS OTHERWISE NOTED ALL DIMENSIONS ARE IN INCHES METRIC UNITS ARE DISPLAYED BENEATH IN [ MM. ]</p>					
	<p><b>PROPRIETARY AND CONFIDENTIAL</b> THE INFORMATION CONTAINED IN THIS DRAWING IS THE SOLE PROPERTY OF BRAH ELECTRIC. ANY REPRODUCTION IN PART OR AS A WHOLE WITHOUT THE WRITTEN PERMISSION OF BRAH ELECTRIC IS PROHIBITED.</p>				<p>NEUTRAL KITS</p>	
<p>MATERIAL -</p>		<p>FINISH N/A</p>		<p>SIZE <b>A</b></p>	<p>DWG. NO. ACSL5G</p>	<p>REV. <b>A</b></p>
<p>DO NOT SCALE DRAWING</p>		<p>SCALE: 1:5</p>	<p>WEIGHT:</p>	<p>SHEET 1 OF 4</p>		

REVISIONS				
ZONE	REV.	DESCRIPTION	DATE	APPROVED



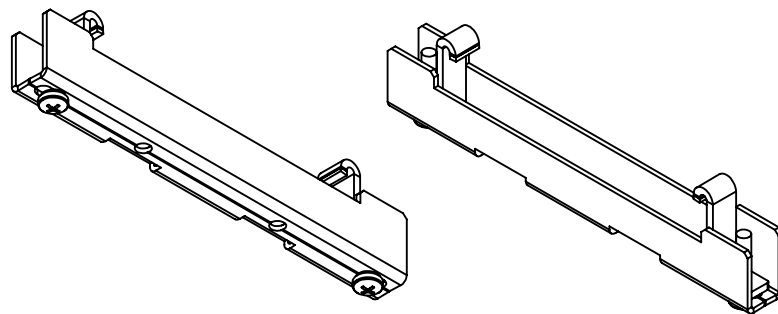
\* NOTE: BRAH ELECTRIC CONVERSION KITS ARE A DIRECT REPLACEMENT FOR GENERAL ELECTRIC, SPECTRA LOW-AMP SERIES, TYPE ACSL, 600V MAX, WITH GROUND, FOR USE WITH 300A-800A RATED BUS PLUGS.

[WWW.BRAHELECTRIC.COM](http://WWW.BRAHELECTRIC.COM), 855-355-2724

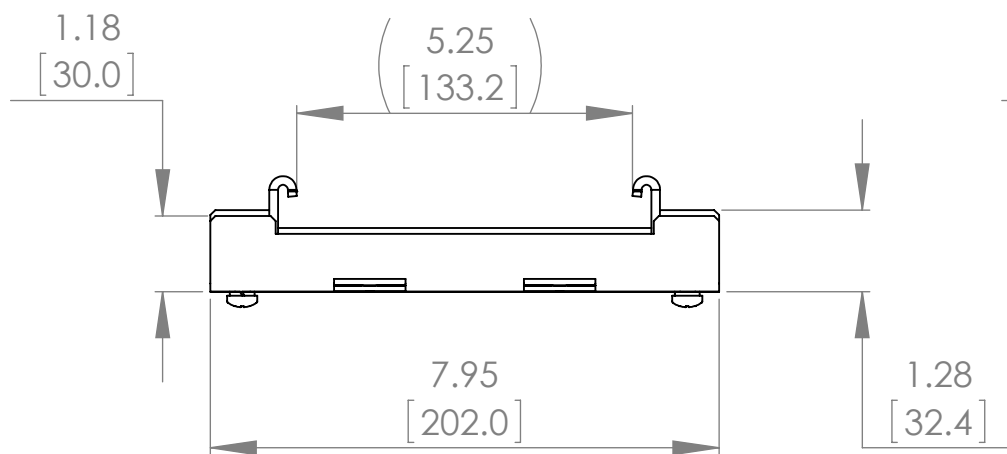
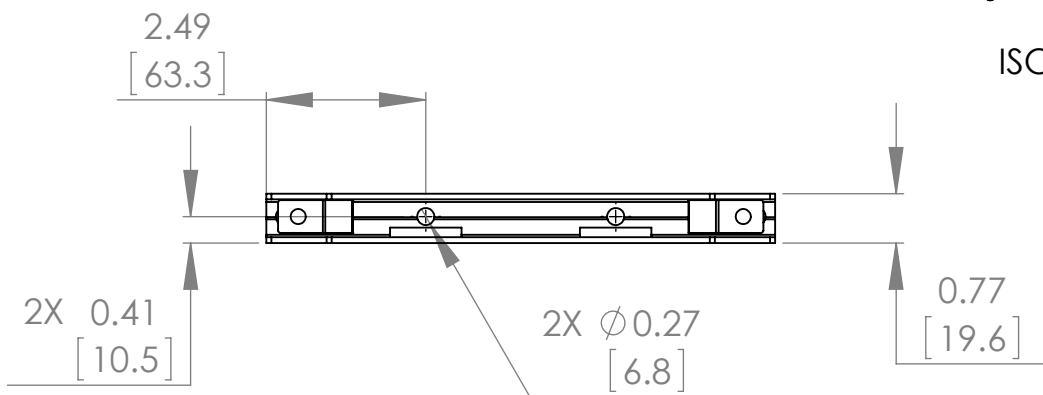
<p>THIRD ANGLE PROJECTION</p>	<p>UNLESS OTHERWISE NOTED</p> <p>ALL DIMENSIONS ARE IN INCHES METRIC UNITS ARE DISPLAYED BENEATH IN [ MM. ]</p>			
	<p><b>PROPRIETARY AND CONFIDENTIAL</b></p> <p>THE INFORMATION CONTAINED IN THIS DRAWING IS THE SOLE PROPERTY OF BRAH ELECTRIC. ANY REPRODUCTION IN PART OR AS A WHOLE WITHOUT THE WRITTEN PERMISSION OF BRAH ELECTRIC IS PROHIBITED.</p>		<p>NEUTRAL KITS</p>	
<p>MATERIAL</p> <p>-</p>	<p>FINISH</p> <p>N/A</p>	<p>SIZE</p> <p><b>A</b></p>	<p>DWG. NO.</p> <p>ACSL5G</p>	<p>REV.</p> <p><b>A</b></p>
<p>DO NOT SCALE DRAWING</p>		<p>SCALE: 1:3</p>	<p>WEIGHT:</p>	<p>SHEET 2 OF 4</p>

REVISIONS

ZONE	REV.	DESCRIPTION	DATE	APPROVED
------	------	-------------	------	----------



ISO VIEW



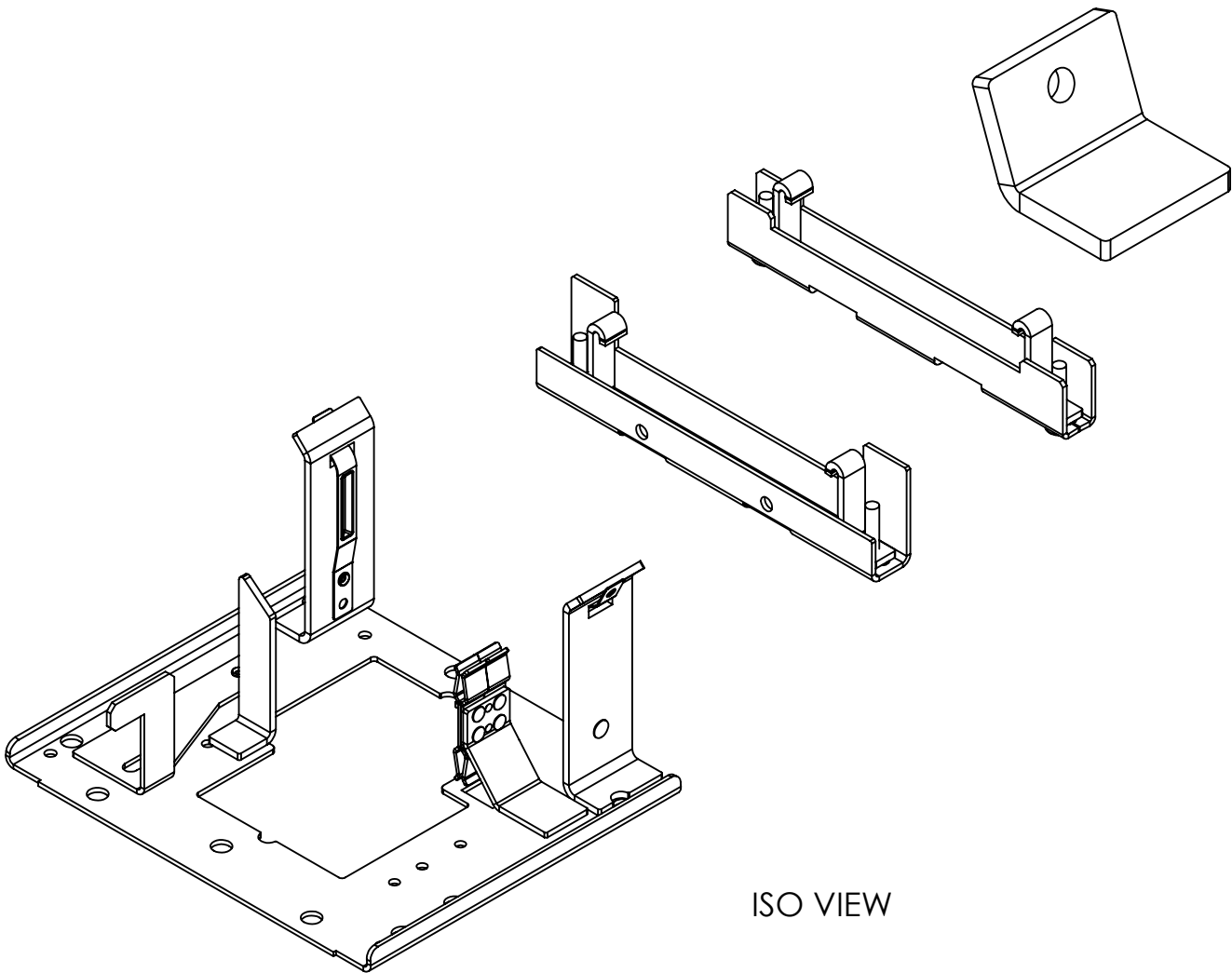
\* NOTE: BRAH ELECTRIC CONVERSION KITS ARE A DIRECT REPLACEMENT FOR GENERAL ELECTRIC, SPECTRA LOW-AMP SERIES, TYPE ACSL, 600V MAX, WITH GROUND, FOR USE WITH 300A-800A RATED BUS PLUGS.

[WWW.BRAHELECTRIC.COM](http://WWW.BRAHELECTRIC.COM), 855-355-2724

<p>THIRD ANGLE PROJECTION</p>	<p>UNLESS OTHERWISE NOTED</p> <p>ALL DIMENSIONS ARE IN INCHES METRIC UNITS ARE DISPLAYED BENEATH IN [ MM. ]</p>	<p><b>BRAH</b> Electric</p>		
	<p><b>PROPRIETARY AND CONFIDENTIAL</b></p> <p>THE INFORMATION CONTAINED IN THIS DRAWING IS THE SOLE PROPERTY OF BRAH ELECTRIC. ANY REPRODUCTION IN PART OR AS A WHOLE WITHOUT THE WRITTEN PERMISSION OF BRAH ELECTRIC IS PROHIBITED.</p>			<p>MATERIAL</p> <p>-</p>
<p>FINISH</p> <p>N/A</p>	<p>DO NOT SCALE DRAWING</p>	<p>SIZE <b>A</b></p>	<p>DWG. NO.</p> <p>ACSL5G</p>	<p>REV.</p> <p><b>A</b></p>
		<p>SCALE:1:3</p>	<p>WEIGHT:</p>	<p>SHEET 3 OF 4</p>

REVISIONS

ZONE	REV.	DESCRIPTION	DATE	APPROVED
------	------	-------------	------	----------



ISO VIEW

\* NOTE: BRAH ELECTRIC CONVERSION KITS ARE A DIRECT REPLACEMENT FOR GENERAL ELECTRIC, SPECTRA LOW-AMP SERIES, TYPE ACSL, 600V MAX, WITH GROUND, FOR USE WITH 300A-800A RATED BUS PLUGS.

[WWW.BRAHELECTRIC.COM](http://WWW.BRAHELECTRIC.COM), 855-355-2724

<p>THIRD ANGLE PROJECTION</p>	<p>UNLESS OTHERWISE NOTED</p> <p>ALL DIMENSIONS ARE IN INCHES METRIC UNITS ARE DISPLAYED BENEATH IN [ MM. ]</p>			
	<p><b>PROPRIETARY AND CONFIDENTIAL</b></p> <p>THE INFORMATION CONTAINED IN THIS DRAWING IS THE SOLE PROPERTY OF BRAH ELECTRIC. ANY REPRODUCTION IN PART OR AS A WHOLE WITHOUT THE WRITTEN PERMISSION OF BRAH ELECTRIC IS PROHIBITED.</p>			
<p>MATERIAL</p> <p>-</p>		<p>FINISH</p> <p>N/A</p>		<p>SIZE <b>A</b></p>
<p>DO NOT SCALE DRAWING</p>		<p>SCALE: 1:3</p>		<p>DWG. NO. <b>ACSL5G</b></p>
		<p>WEIGHT:</p>		<p>REV. <b>A</b></p>
		<p>SHEET 4 OF 4</p>		