

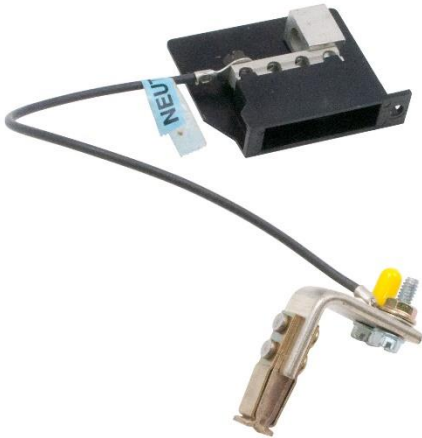


CONTACT US @ 855-355-2724

E-Mail: Sales@brahelectric.com

www.Brahelectric.com

PRODUCT DATA SHEET



BUS PLUGS

Picture is for reference only,
Actual Kit may vary slightly

PART NUMBER- SXID100N:

BRAH Electric bus plug neutral kit assembly, rated for 100 amp 600 volt maximum, neutral designed and engineered as substitute for OEM ITE / Siemens Sentron SXID Series bus plugs, works with all vintages of the SXID bus plug, neutral can be added to all 30 amp, 60 amp or 100 amp bus plug can sizes, neutral kit for converting or adding 4th wire neutral to three phase bus plugs, specified for both 240 volt and 600 volt bus plugs.

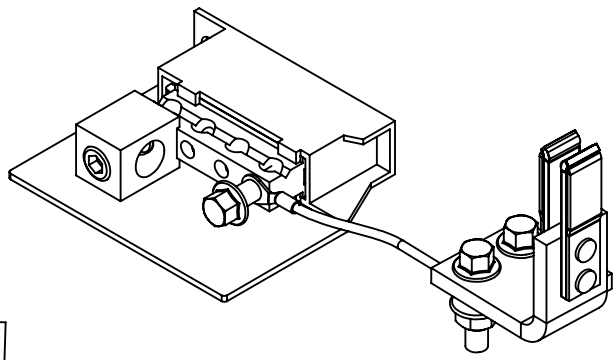
PRODUCT SPECIFICATIONS

Manufacturer	BRAH Electric
Sub-Category	Neutral Kits
Family	Sentron
Type	SXID
OEM Manufacturer	Siemens
Amperage Min	30
Amperage Max	100
Voltage Max	600

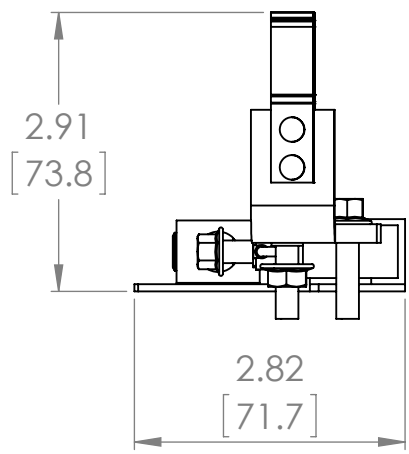
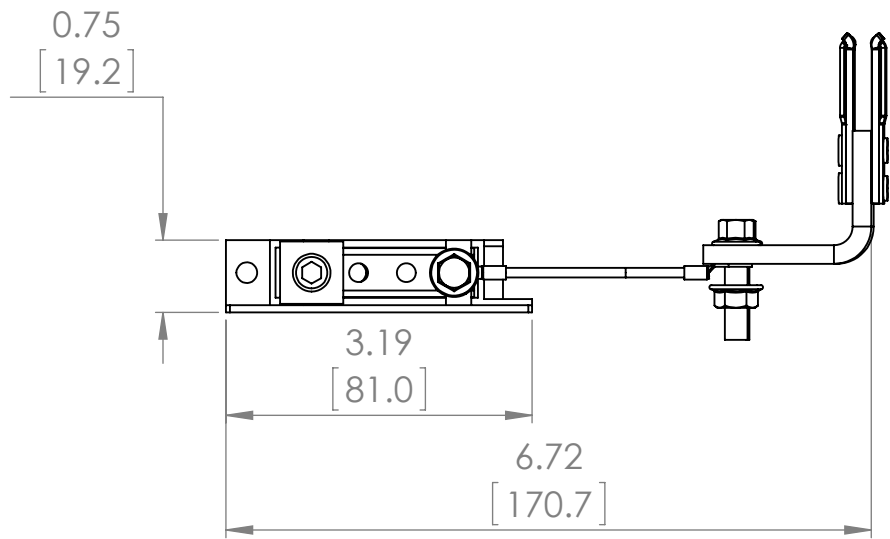
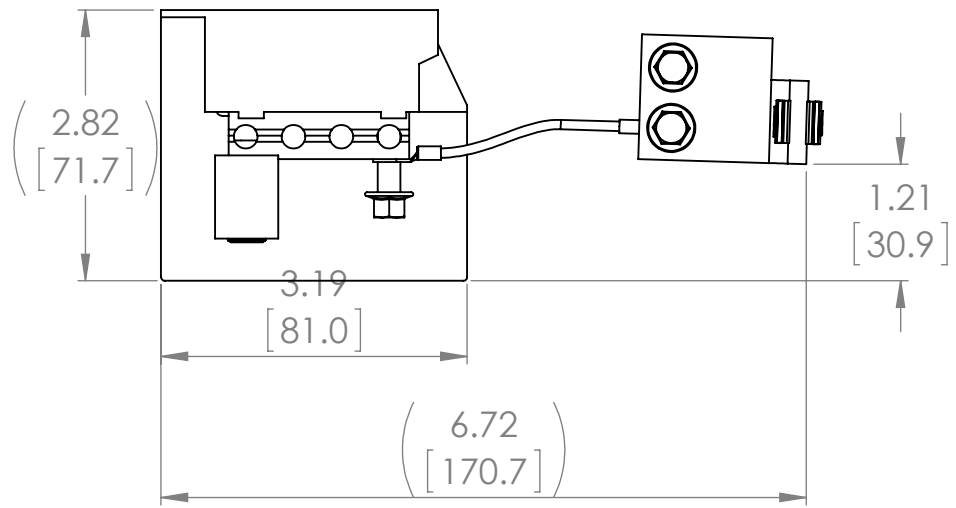
Warranty: All Products sold by BRAH Electric are guaranteed to be free of defect for a period of two years, under the condition that the product has been installed and operated properly. All items proven defective within the two-year period will be replaced by BRAH Electric. In the event that we cannot provide a direct replacement, your monies will be refunded in full. We are not responsible for any consequential losses or damages outside of the defective product as well as any replacements or repairs performed by another party without our written authorization from BRAH Electric.

REVISIONS

ZONE	REV.	DESCRIPTION	DATE	APPROVED
------	------	-------------	------	----------



ISO VIEW



WWW.BRAHELECTRIC.COM, 855-355-2724

***NOTE: BRAH ELECTRIC
DIRECT REPLACEMENT
NEUTRAL KITS ASSEMBLIES,
TYPE SXID, 30A-100A,
600V, FUSIBLE TYPE SX
STYLE BUS PLUGS**

THIRD ANGLE PROJECTION

PROPRIETARY AND CONFIDENTIAL

THE INFORMATION CONTAINED IN THIS DRAWING IS THE SOLE PROPERTY OF BRAH ELECTRIC. ANY REPRODUCTION IN PART OR AS A WHOLE WITHOUT THE WRITTEN PERMISSION OF BRAH ELECTRIC IS PROHIBITED.

UNLESS OTHERWISE NOTED
ALL DIMENSIONS ARE IN INCHES
METRIC UNITS ARE DISPLAYED
BENEATH IN [MM.]

MATERIAL	
FINISH	N/A
DO NOT SCALE DRAWING	



NEUTRAL KITS

SIZE A	DWG. NO. SXID100N	REV. A
SCALE: 1:5	WEIGHT:	SHEET 1 OF 1