



CONTACT US @ 855-355-2724

E-Mail: [Sales@brahelectric.com](mailto:Sales@brahelectric.com)

[www.Brahelectric.com](http://www.Brahelectric.com)

## PRODUCT DATA SHEET

---



### BUS PLUGS

Picture is for reference only,  
Actual Kit may vary slightly

### **PART NUMBER- UV100G:**

BRAH Electric bus plug ground kit, rated for 100 amps 600 volt max, suitable with all OEM ITE/ Siemens XL-Universal Series Busway, type UV fusible type bus plugs in 30 amps, 60 amps and 100 amps can sizes, substitute replacement for OEM Siemens UV bus plugs.

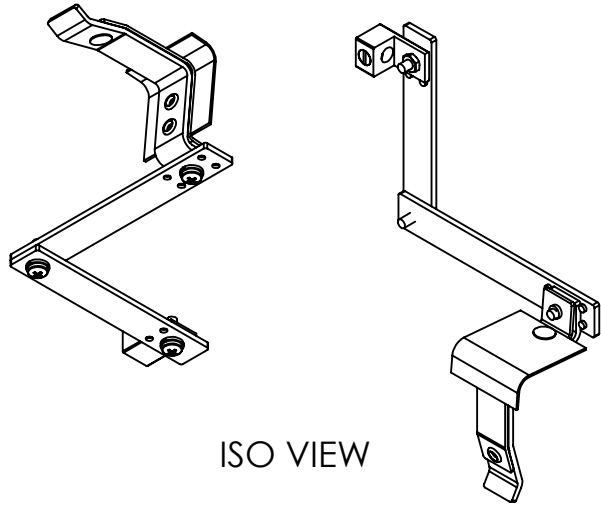
### **PRODUCT SPECIFICATIONS**

Manufacturer	BRAH Electric
Sub-Category	Ground Kits
Family	XL-U
Type	UV
Group	Bus Plug Parts
Amperage Min	30
Amperage Max	100
Voltage Max	600

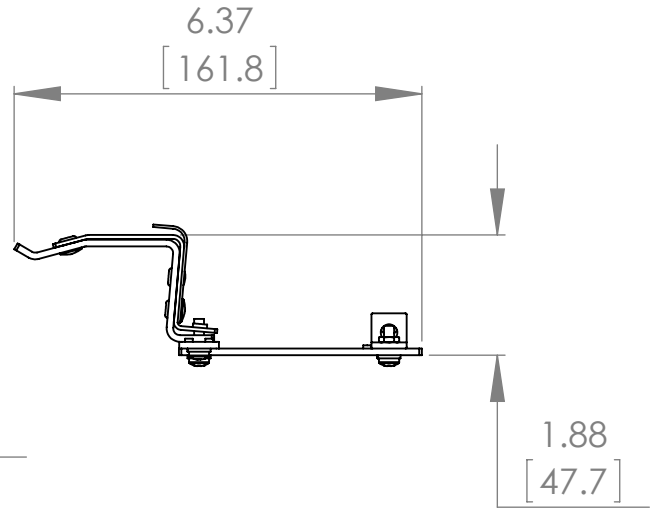
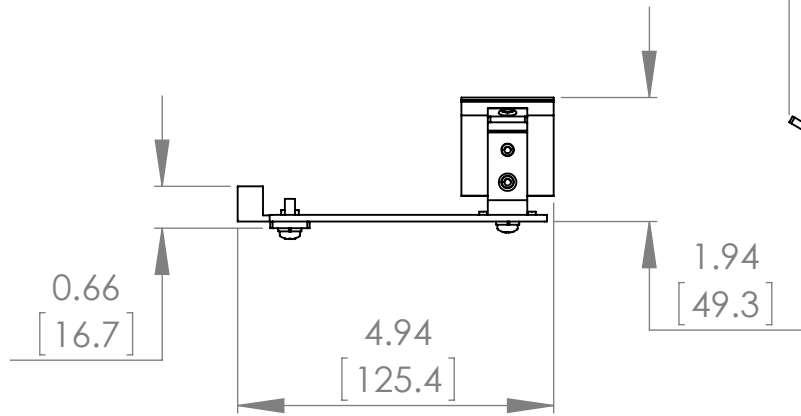
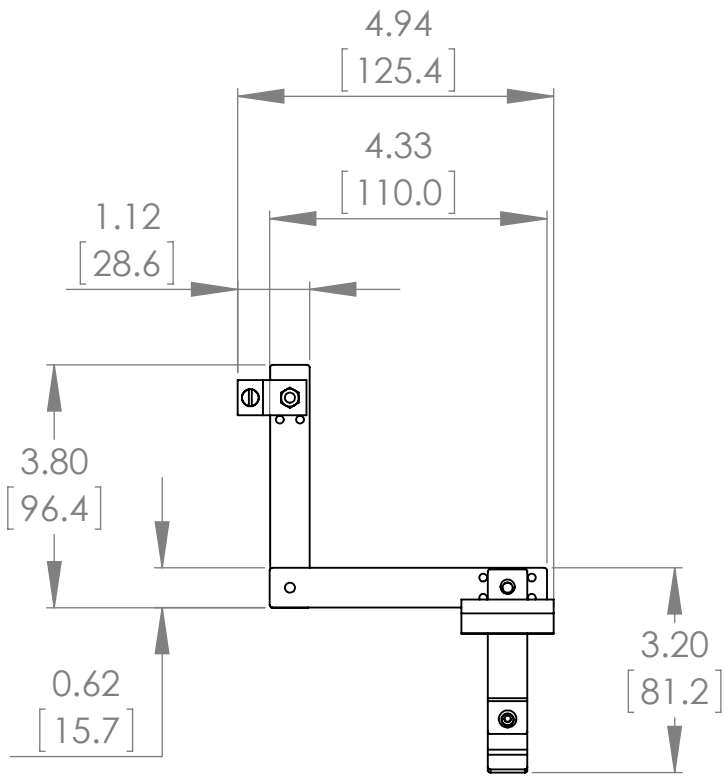
**Warranty:** All Products sold by BRAH Electric are guaranteed to be free of defect for a period of two years, under the condition that the product has been installed and operated properly. All items proven defective within the one year period will be replaced by BRAH Electric. In the event that we cannot provide a direct replacement, your monies will be refunded in full. We are not responsible for any consequential losses or damages outside of the defective product as well as any replacements or repairs performed by another party without our written authorization from BRAH Electric.

REVISIONS

ZONE	REV.	DESCRIPTION	DATE	APPROVED
------	------	-------------	------	----------



ISO VIEW



[WWW.BRAHELECTRIC.COM](http://WWW.BRAHELECTRIC.COM), 855-355-2724

\* NOTE: BRAH ELECTRIC GROUND KITS ARE A DIRECT REPLACEMENT FOR SIEMENS, XL-U, GROUND KITS, GROUND KIT ASSEMBLIES, 30-100A, TO BE USED WITH TYPE UV BUS PLUGS

THIRD ANGLE PROJECTION

**PROPRIETARY AND CONFIDENTIAL**

THE INFORMATION CONTAINED IN THIS DRAWING IS THE SOLE PROPERTY OF BRAH ELECTRIC. ANY REPRODUCTION IN PART OR AS A WHOLE WITHOUT THE WRITTEN PERMISSION OF BRAH ELECTRIC IS PROHIBITED.

UNLESS OTHERWISE NOTED

ALL DIMENSIONS ARE IN INCHES  
METRIC UNITS ARE DISPLAYED  
BENEATH IN [ MM. ]

MATERIAL	-
FINISH	N/A
DO NOT SCALE DRAWING	



**NEUTRAL KITS**

SIZE	DWG. NO.	REV.
<b>A</b>	UV100G	<b>A</b>
SCALE: 1:3	WEIGHT:	SHEET 1 OF 1