



CONTACT US @ 855-355-2724

E-Mail: Sales@brahelectric.com

www.Brahelectric.com

PRODUCT DATA SHEET



BUS PLUGS

Picture is for reference only,
Actual Kit may vary slightly

PART NUMBER- UV200G:

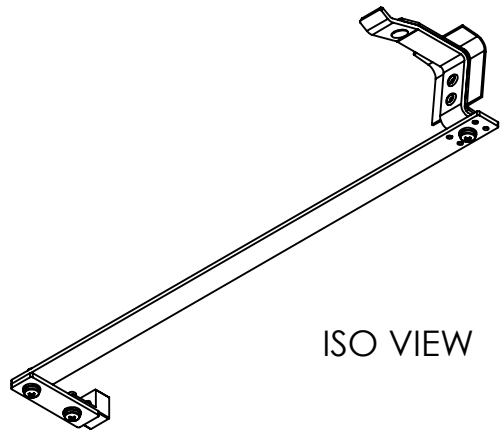
BRAH Electric bus plug ground kit, rated for 200 amp 600 volt max, suitable with all OEM ITE/ Siemens XL-Universal Series Busway, type UV fusible type bus plugs in 200 amp, substitute replacement for OEM Siemens UV bus plugs.

PRODUCT SPECIFICATIONS

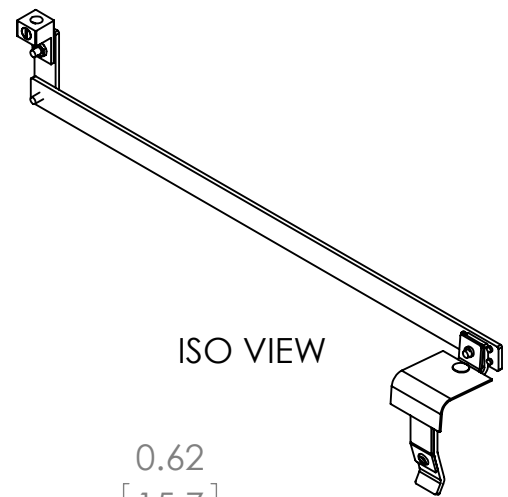
Manufacturer	BRAH Electric
Sub-Category	Ground Kits
Family	XL-U
Type	UV
Group	Bus Plug Parts
Amperage Min	200
Amperage Max	200
Voltage Max	600

Warranty: All Products sold by BRAH Electric are guaranteed to be free of defect for a period of two years, under the condition that the product has been installed and operated properly. All items proven defective within the one year period will be replaced by BRAH Electric. In the event that we cannot provide a direct replacement, your monies will be refunded in full. We are not responsible for any consequential losses or damages outside of the defective product as well as any replacements or repairs performed by another party without our written authorization from BRAH Electric.

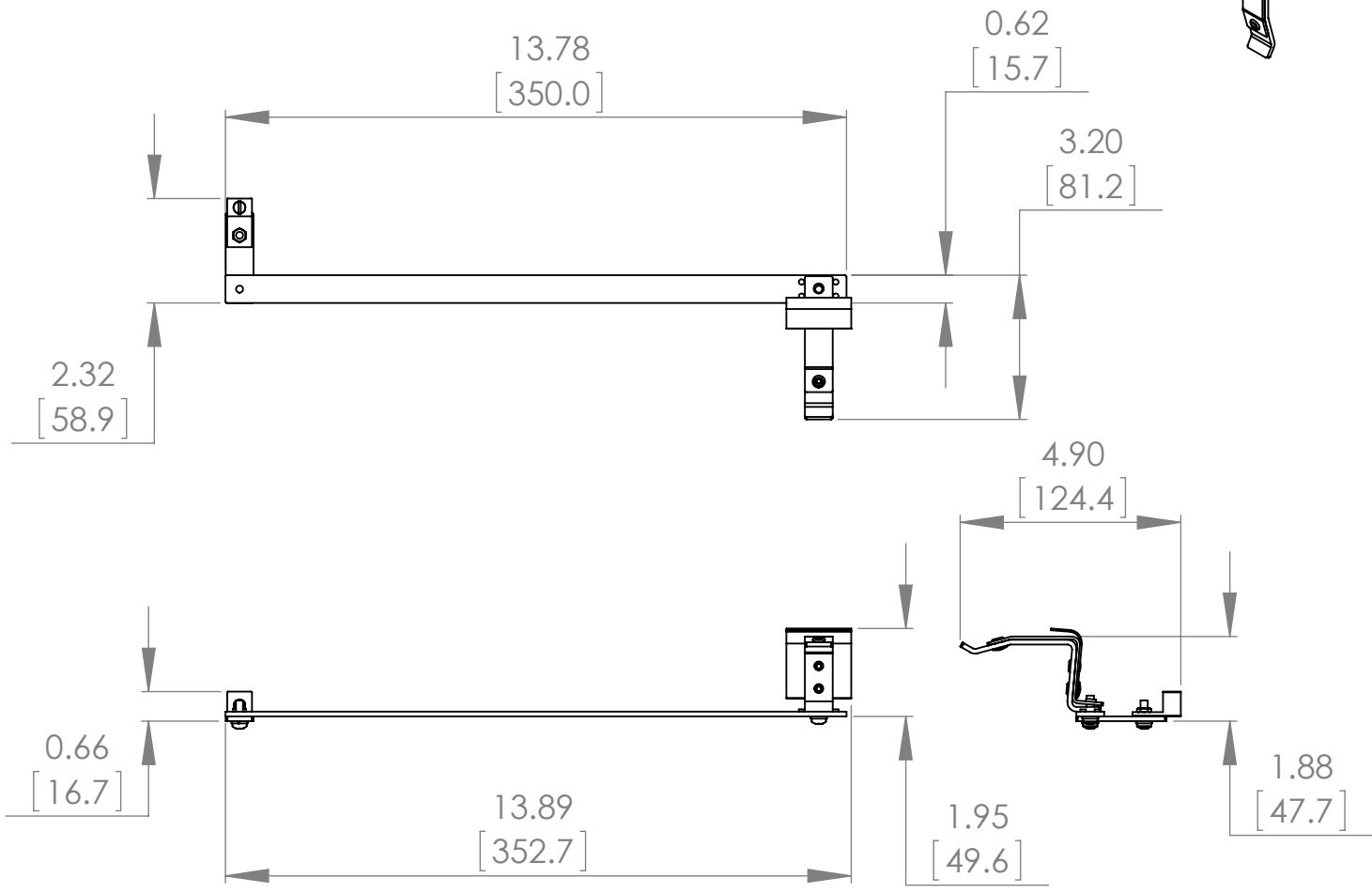
REVISIONS				
ZONE	REV.	DESCRIPTION	DATE	APPROVED



ISO VIEW



ISO VIEW



WWW.BRAHELECTRIC.COM, 855-355-2724

* NOTE: BRAH ELECTRIC GROUND KITS ARE A DIRECT REPLACEMENT FOR SIEMENS, XL-U, GROUND KITS, GROUND KIT ASSEMBLIES, 200A, TO BE USED WITH TYPE UV BUS PLUGS

<p>THIRD ANGLE PROJECTION</p>	<p>UNLESS OTHERWISE NOTED</p> <p>ALL DIMENSIONS ARE IN INCHES METRIC UNITS ARE DISPLAYED BENEATH IN [MM.]</p>	<p>BRAH Electric Mfg.</p>		
	<p>PROPRIETARY AND CONFIDENTIAL</p> <p>THE INFORMATION CONTAINED IN THIS DRAWING IS THE SOLE PROPERTY OF BRAH ELECTRIC. ANY REPRODUCTION IN PART OR AS A WHOLE WITHOUT THE WRITTEN PERMISSION OF BRAH ELECTRIC IS PROHIBITED.</p>			<p>MATERIAL</p> <p>-</p>
<p>FINISH</p> <p>N/A</p>	<p>DO NOT SCALE DRAWING</p>	<p>SIZE A</p>	<p>DWG. NO. UV200G</p>	<p>REV. A</p>
		<p>SCALE: 1:4</p>	<p>WEIGHT:</p>	<p>SHEET 1 OF 1</p>