



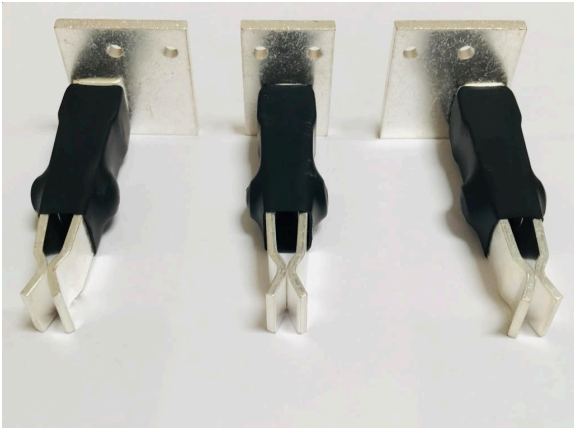
CONTACT US

855.355.2724

E-Mail: sales@brahelectric.com

www.brahelectric.com

PRODUCT DATA SHEET



STAB KITS

PART NO. UVSTABKIT2

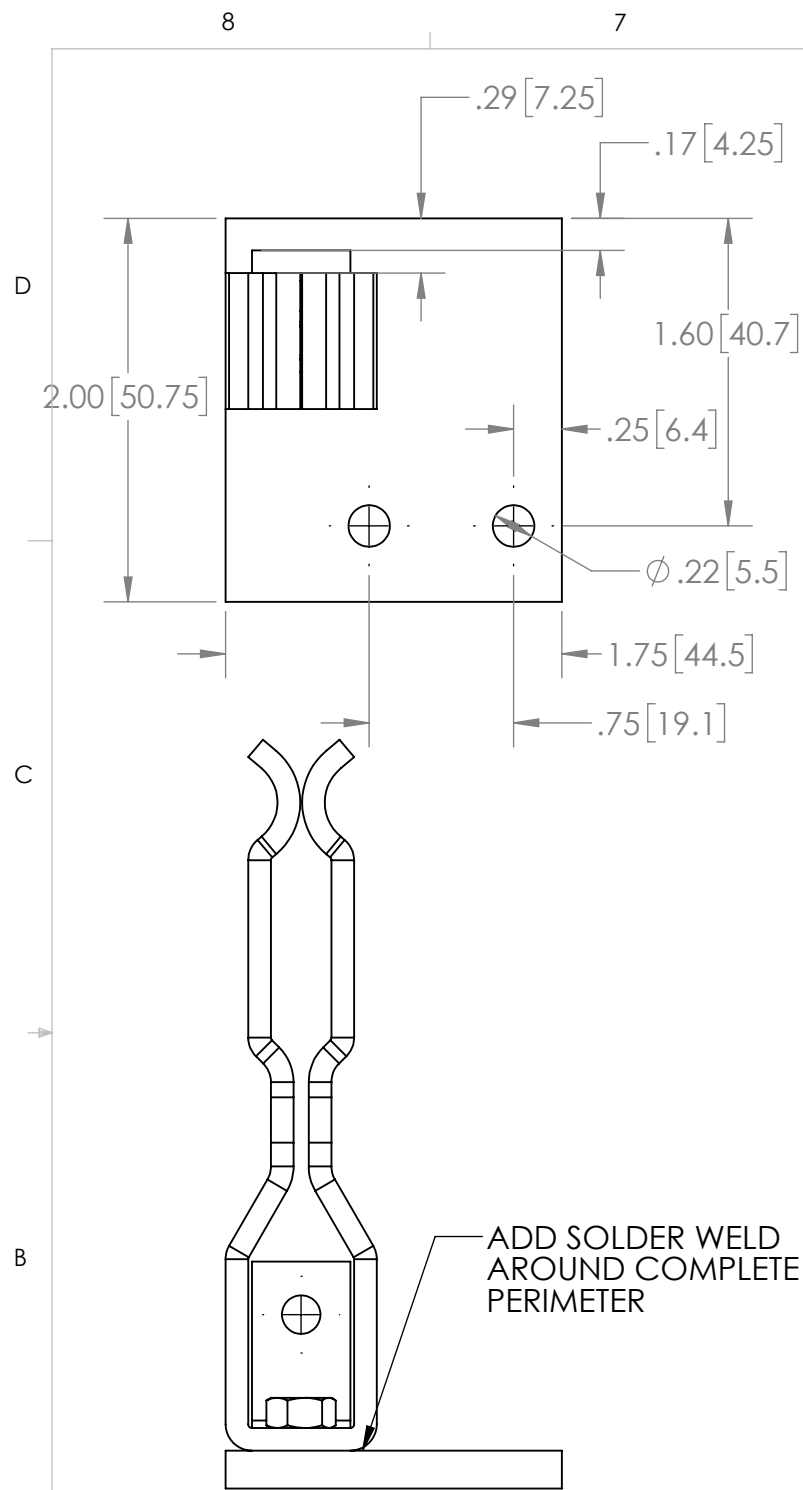
PART NUMBER – UVSTABKIT2

UVSTABKIT2, bus plug stab assembly kit, complete set of 3 stabs, assembly package includes stab fingers and associated stab insulators, direct fit and function with OEM ITE and Siemens XL-U Series bus plug type UV, can be used with all 3W or 4W applications within the Bulldog Series, rated for 200 amp bus plug applications for both 240 volt and 600 volt systems, substitute kit for OEM Siemens, ITE, Gould XL-U Series bus plugs

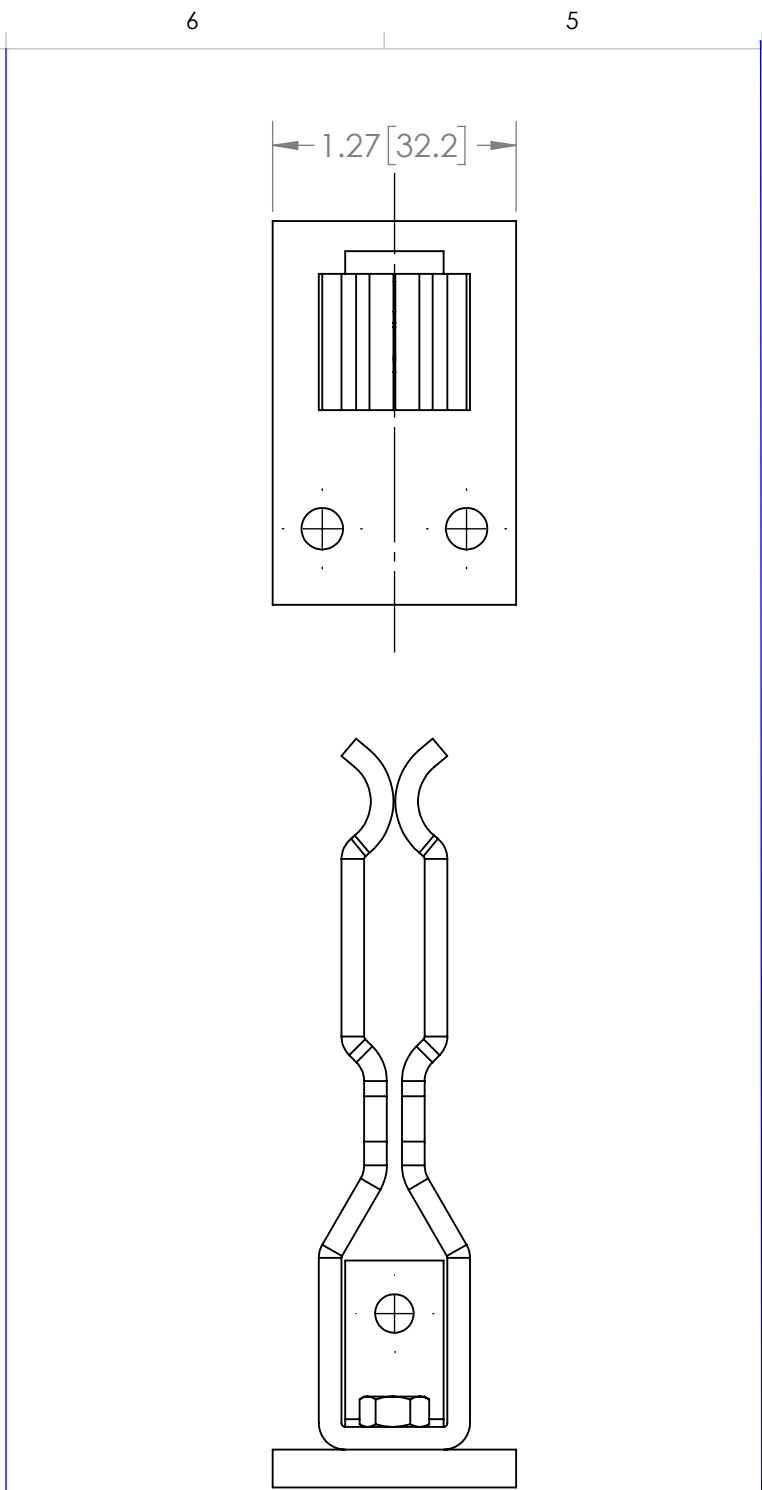
PRODUCT SPECIFICATIONS

Manufacturer	BRAH Electric
Sub-Category	Stab Kits
Family	XL-U Series
Type	UV, BUV
OEM Manufacturer	Siemens
Amperage	200A
Voltage	240V, 600V

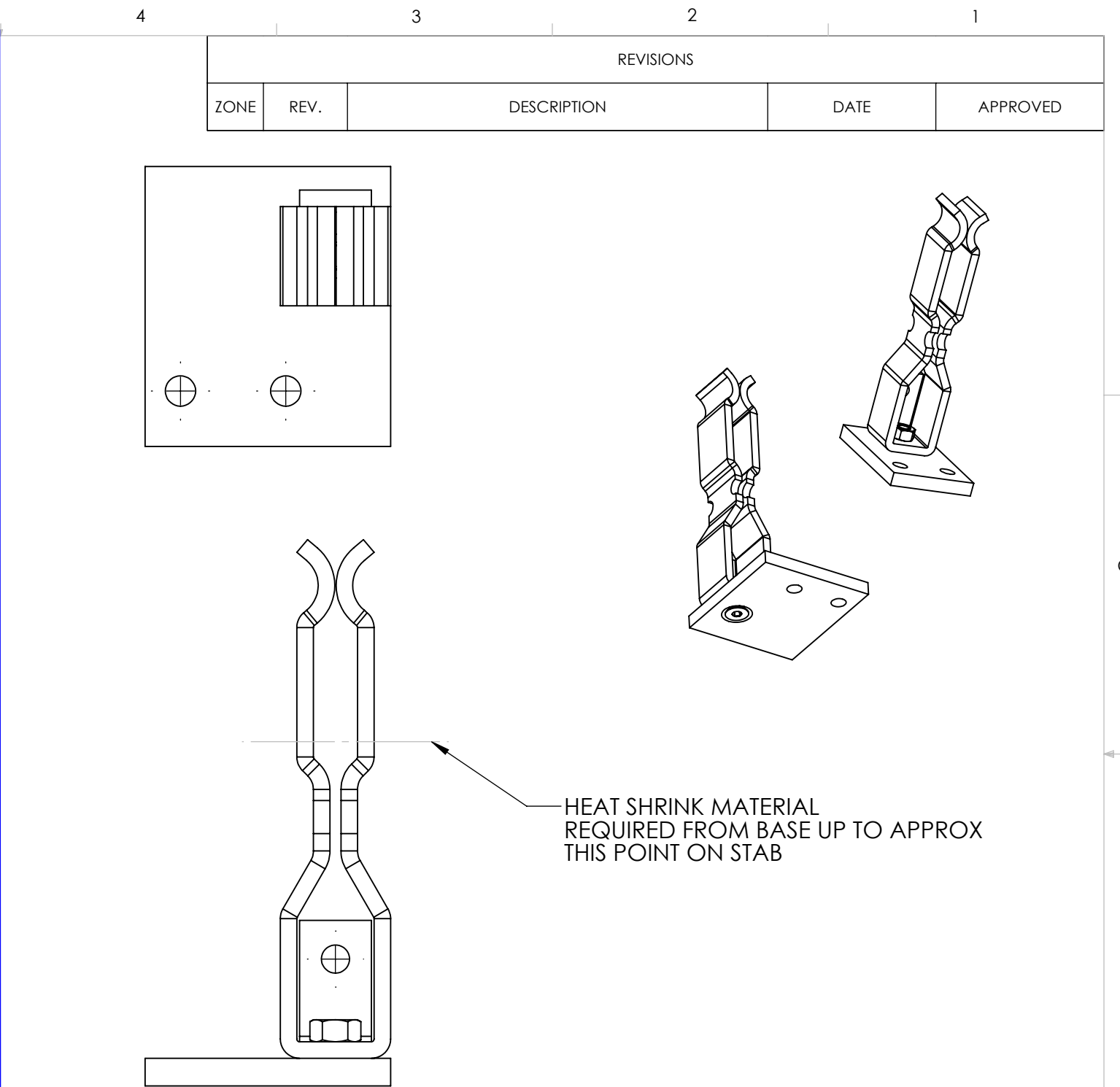
Warranty: All Products sold by BRAH Electric are guaranteed to be free of defect for a period of two years, under the condition that the product has been installed and operated properly. All items proven defective within the one year period will be replaced by BRAH Electric. In the event that we cannot provide a direct replacement, your monies will be refunded in full. We are not responsible for any consequential losses or damages outside of the defective product as well as any replacements or repairs performed by another party without our written authorization from BRAH Electric.



LEFT STAB ASSEMBLY

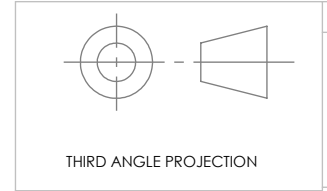


CENTER STAB ASSEMBLY



RIGHT STAB ASSEMBLY

REVISIONS				
ZONE	REV.	DESCRIPTION	DATE	APPROVED



UNLESS OTHERWISE SPECIFIED:
 DIMENSIONS ARE IN MM
 TOLERANCES:
 ANGULAR: MACH ± .5 DEG.
 WHOLE NUMBER ± .5
 ONE PLACE DECIMAL ± .25
 TWO PLACE DECIMAL ± .13

INTERPRET GEOMETRIC TOLERANCING PER: ASME Y14.5M-1994 MATERIAL

FINISH

DO NOT SCALE DRAWING

	NAME	DATE
DRAWN	G.GARCIA	10-15-13
CHECKED		
ENG APPR.		
MFG APPR.		
Q.A.		

COMMENTS:
 UNLESS OTHERWISE NOTED
 ALL DIMENSIONS ARE IN INCHES
 METRIC UNITS ARE DISPLAYED
 BENEATH IN [MM.]

BRAH Electric, LLC		
TITLE: UVSTABKIT2		
SIZE B	DWG. NO.	REV A
SCALE: 1:1 WEIGHT: 117.41 SHEET 1 OF 2		

